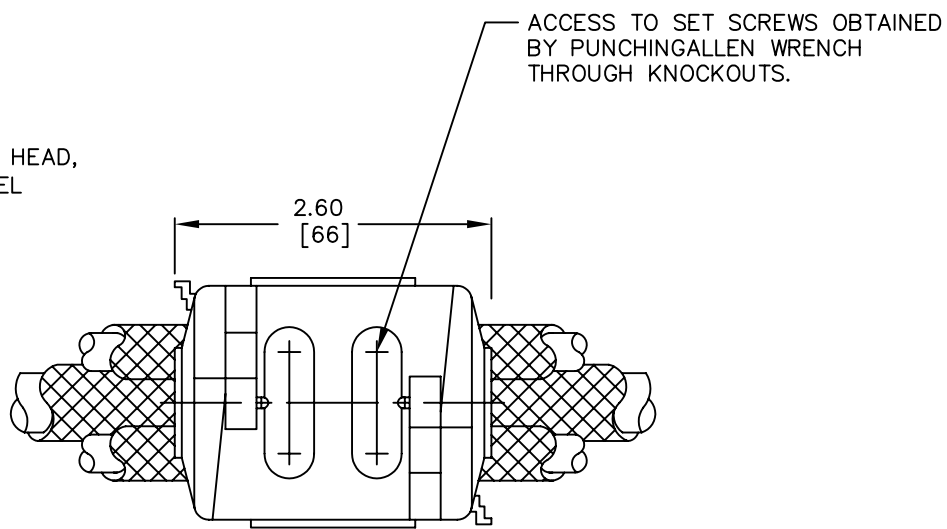
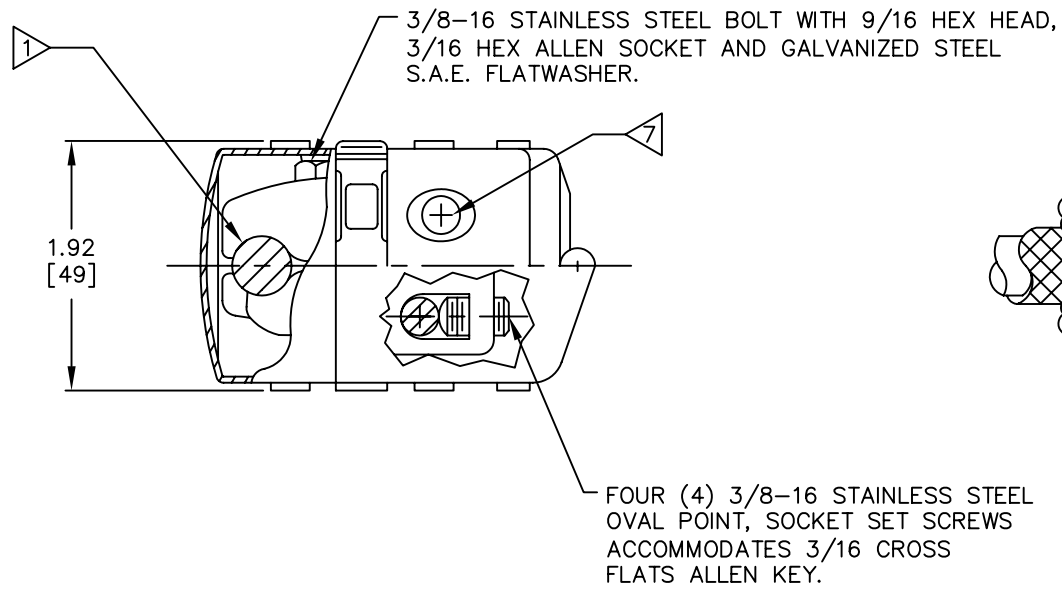
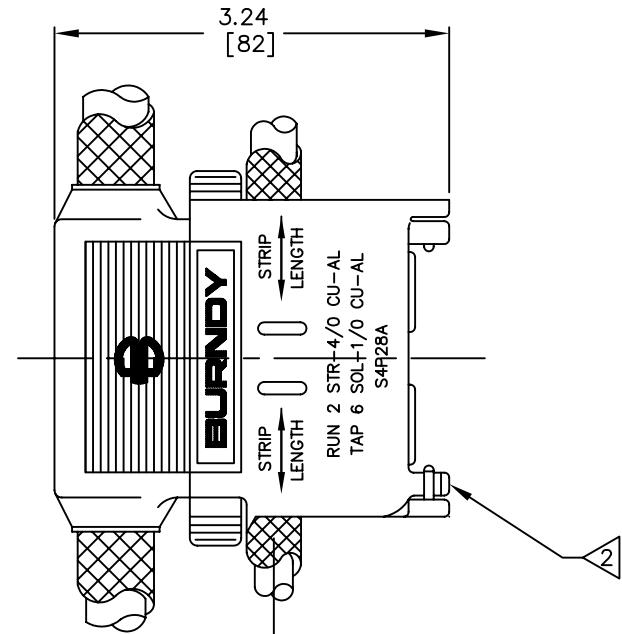


REV.	DATE	DESCRIPTION	ECO	BY	C'K'D.
B	05/18/10	REDRAWN TO AUTOCAD & CORRECT THE SPELLING ON PENETROX PER M/U.	21051	RB	PL



NOTES:

- 1 SCATCH BRUSH ALUMINUM CONDUCTORS BEFORE ASSEMBLY TO CONNECTOR.
- 2 ALL HARDWARE LUBRICATED.
- 3. UNLATCH COVERS BY USE OF SCREW DRIVER OR SIMILAR TOOL.
- 4. CONNECTOR SUPPLIED PREFILLED WITH PENETROX™ AND SEALED.
- 5. MATERIAL: CONNECTOR—CAST ALUMINUM ALLOY.
CASE—HIGH DENSITY WEATHER RESISTANT POLYETHYLENE.
- 6. DIMENSIONS IN BRACKETS [] ARE IN MILLIMETERS ROUNDED OFF TO THE NEAREST MILLIMETER, UNLESS OTHERWISE NOTED, AND ARE FOR REFERENCE ONLY.
- 7 CABELS TO BE PUNCHED THROUGH KNOCKOUTS.

ACCOMMODATES:

ANY COMBINATIONS OF COPPER OR ALUMINUM CABLES IN ANY AREAS WHERE THE USE OF ALUMINUM CONDUCTORS IS AN ACCEPTED PRACTICE.

RUN: #2 (.292 DIA.) 7 STR. COPPER OR ALUMINUM CABLE THRU 4/0 (.528 DIA.) 19 STR. COPPER OR ALUMINUM.

TAP: ACCEPTS FOUR (4) CONDUCTORS RANGING FROM #6 SOL (.162 DIA.) COPPER OR ALUMINUM CABLE THRU 1/0 (.373 DIA.) COPPER OR ALUMINUM.

TO ORDER BURNDY® PRODUCTS CALL UNITED STATES: 1-800-346-4175 (LONDONDERRY, NH) CANADA: 1-800-361-6975 (QUEBEC) 1-800-387-6487 (ALL OTHER PROVINCES) FOR PRODUCT INFO: http://www.burndy.com		SPANTAP™ (PHASE)	
		ITEM NO: --	
		CAT NO: S4P28A	
		SCALE: 1/1	
		DRAWN BY: R. BOISVERT 05/18/10	
		CHECKER: R. DEFRANCE 05/10/10	
		DSN APPVL: R. DEFRANCE 05/10/10	
		MFG APPVL: J. HEAD 05/10/10	
		QC APPVL: J. BRODEUR 05/10/10	
		MKT APPVL: D. HAMILTON 05/10/10	
		DRAWING NO	
		REV	
		PROD FAM: --	
		PROJECT #: --	
		SIZE	
		C	
		SC207244-01	
		SHEET 1 OF 1	
		B	