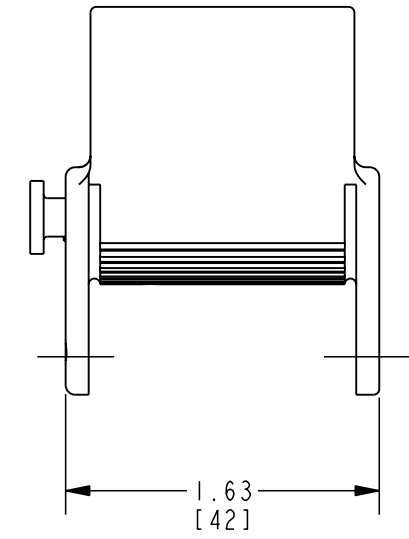
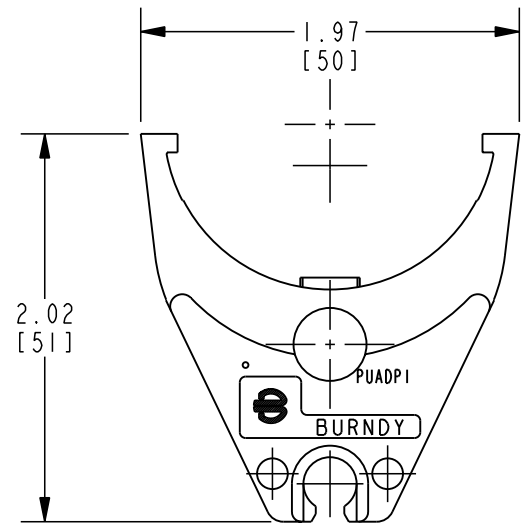


REV.	DATE	DESCRIPTION	ECO	BY	C'H'K.
B	10/15/2010 1:48:00 PM	CHANGE TO SALES DRAWING AND REMOVE SECTION A-A	22421	TRF	MAC



NOTES:

- DO NOT OPERATE ADAPTOR WITHOUT "U" DIES.
- PUADPI ADAPTOR PERMITS THE USE OF "U" TYPE DIES IN THE Y46, Y46C HYPRESS TOOLS, WITH CONDUCTOR/CONNECTOR RANGE TAKING CAPABILITIES EQUIVALENT TO THAT OF THE Y750 HYPRESS™ TOOLS.
- CATALOG NUMBER PUADPI CONSISTS OF TWO (2) U-DIE ADAPTOR ASSEMBLIES.
- MATERIAL: STAINLESS STEEL.

SUPERSEDES: SC73470

TO ORDER BURNDY® PRODUCTS CALL		ADAPTOR ASSEMBLY, U DIE (Y46)	
UNITED STATES:		ITEM NO: 434152	
1-800-346-4175 (LONDONDERRY, NH)		CAT. NO: PUADPI	
CANADA:		DRAWN BY: JOE LARGY 12/10/92	
1-800-361-6975 (QUEBEC)		CHECKER: K HENRY 12/11/92	
1-800-387-6487 (ALL OTHER PROVINCES)		DSN APPVL: J LEFAVOUR 12/11/92	
FOR PRODUCT INFO: http://www.burndy.com		MFG APPVL: A SHLOPAK 1/24/93	
		QA APPVL: A LLOYD 12/14/92	
		MKT APPVL: N/A	
		PROD FAM: TOOLS_HYDRAULIC/P_DIES	
		PROJECT #: --	
		DOCUMENT TYPE: Sales	
		REL LEVEL: Released	
		SCALE: 1:1	
		DRAWING NO	
		REV	
		SIZE	
		SC208130-01	
		SHEET 1 OF 1	
		B	

REV: PE0200