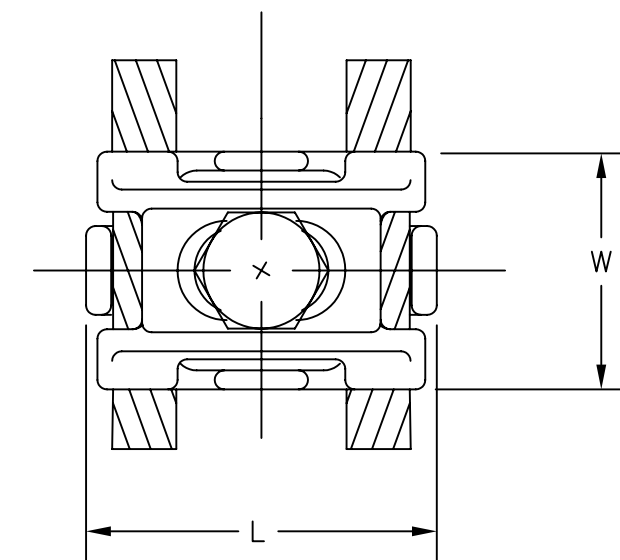
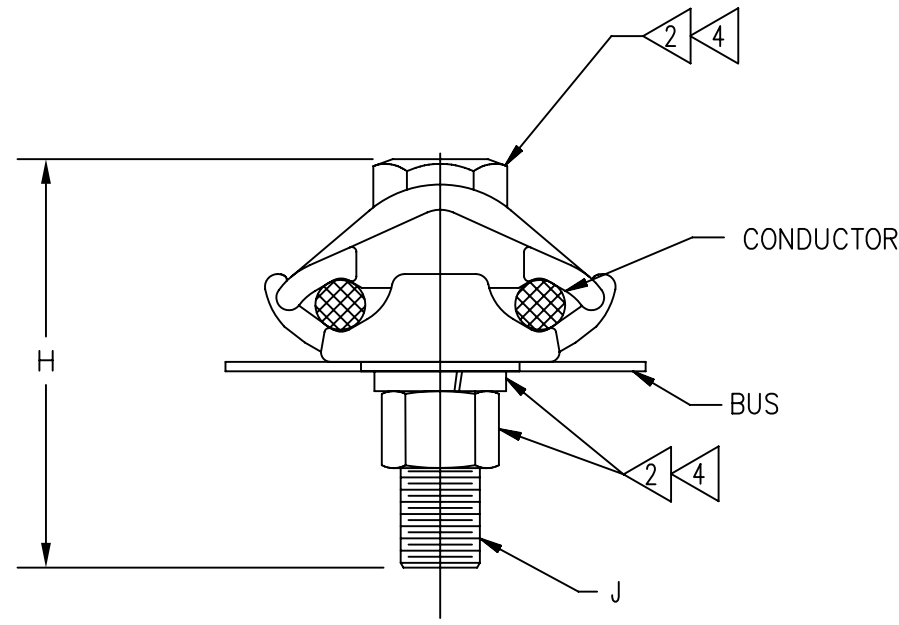


CATALOG NO.	COPPER CONDUCTOR RANGE-- EITHER GROOVE		H	L	W	J	BUS	TORQUE	
	AWG	METRIC						Lb*in	N*m
GCL30 GCL30GS	#4SOL(.204)- 300kcmil(.630)	25mm ² STR[6.5]- 150mm ² STR[16.0]	2.00 [51]	2.21 [56]	1.50 [38]	1/2-13	.25 [6]	480	54.1

REV.	DATE	DESCRIPTION	ECO	BY	C'K'D.
A	1/12/04	ADD NOTE 5 TO DRAWING	10403	DB	PL



NOTES:

- 1 MATERIAL - CAST COPPER ALLOY
- 2 HEX HEAD SILICON BRONZE BOLT AND HARDWARE 4
3. DIMENSIONS IN BRACKETS [] ARE IN MILLIMETERS ROUNDED OFF TO THE NEAREST MILLIMETER, UNLESS OTHERWISE NOTED AND ARE FOR REFERENCE ONLY.
- 4 SUFFIX "GS" DENOTES GALVANIZED STEEL HARDWARE.
5. THE CATALOG NUMBER ACCOMMODATES THE INDICATED CABLE RANGE AND UP TO A 1/4" THICK BAR. OPTIONAL BOLT LENGTHS ARE AVAILABLE TO ACCOMMODATE UP TO A 1" THICK BAR. FOR BAR THICKNESSES FROM 1/4"-1/2" ADD SUFFIX "T4" TO THE CATALOG NUMBER. FOR BAR THICKNESSES FROM 1/2"-1" ADD THE SUFFIX "T8" TO THE CATALOG NUMBER.

TO ORDER BURNDY®PRODUCTS CALL 1-800-346-4175
 MANCHESTER, NH 03109, USA
 FOR PRODUCT INFO = <http://www.fciconnect.com>

GROUND CLAMP

ITEM NO: 26421J, 26421X

CAT NO: GCL30, GCL30GS

SCALE: 1/1	
DRAWN BY: J. GATES	5/10/94
CHECKER: N.PRESSMAN	5/16/94
DSN APPVL: G.DITROIA	5/17/94
MFG APPVL: N/A	--
QC APPVL: A.LLOYD	5/17/94
MKT APPVL: D.HAMILTON	5/17/94
PROD FAM: --	
PROJECT #: --	SIZE
DOCUMENT TYPE: Sales	B
REL LEVEL: AutoCAD	



DRAWING NO	REV
SC209116	A
SHEET 1 of 1	