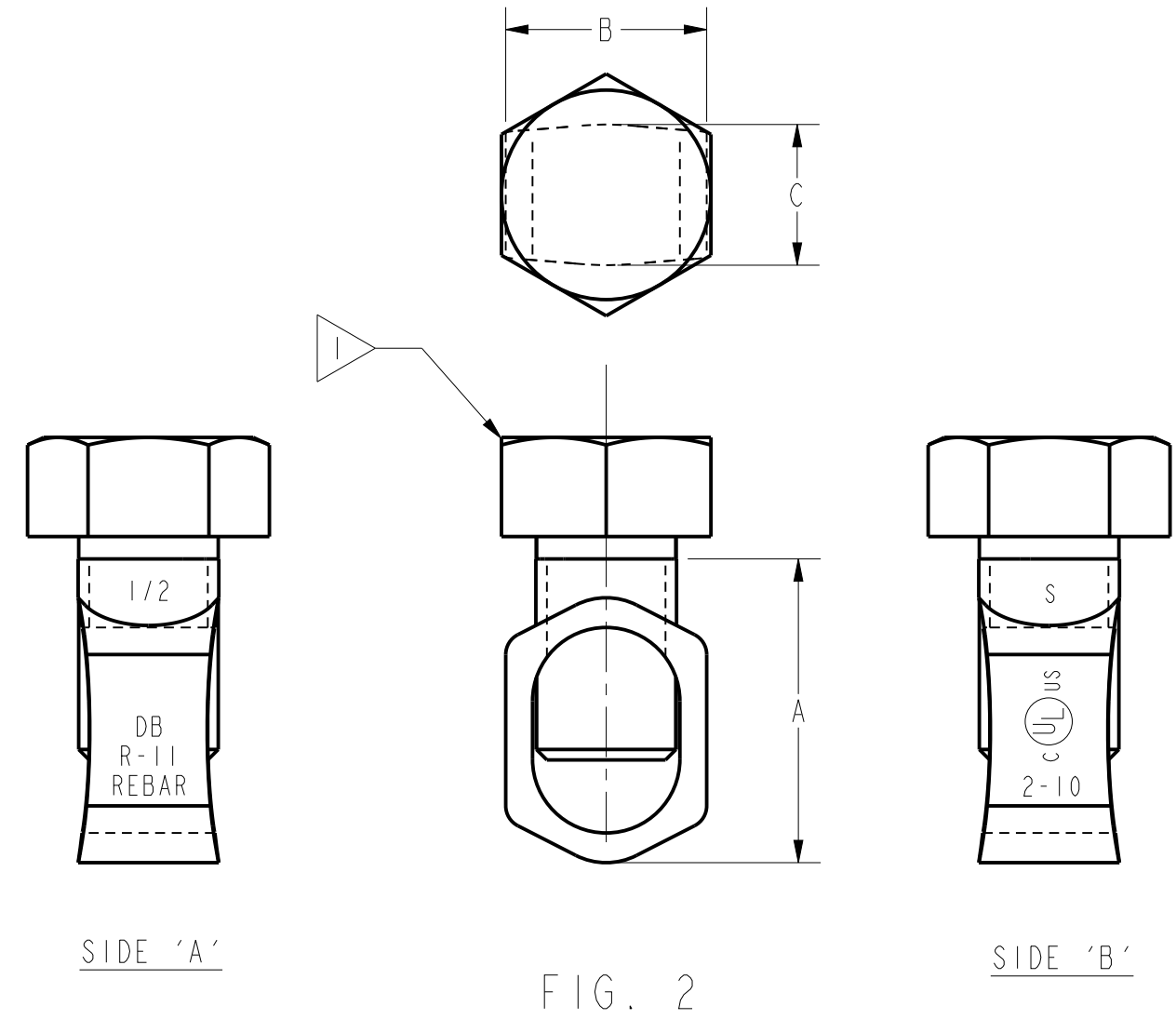
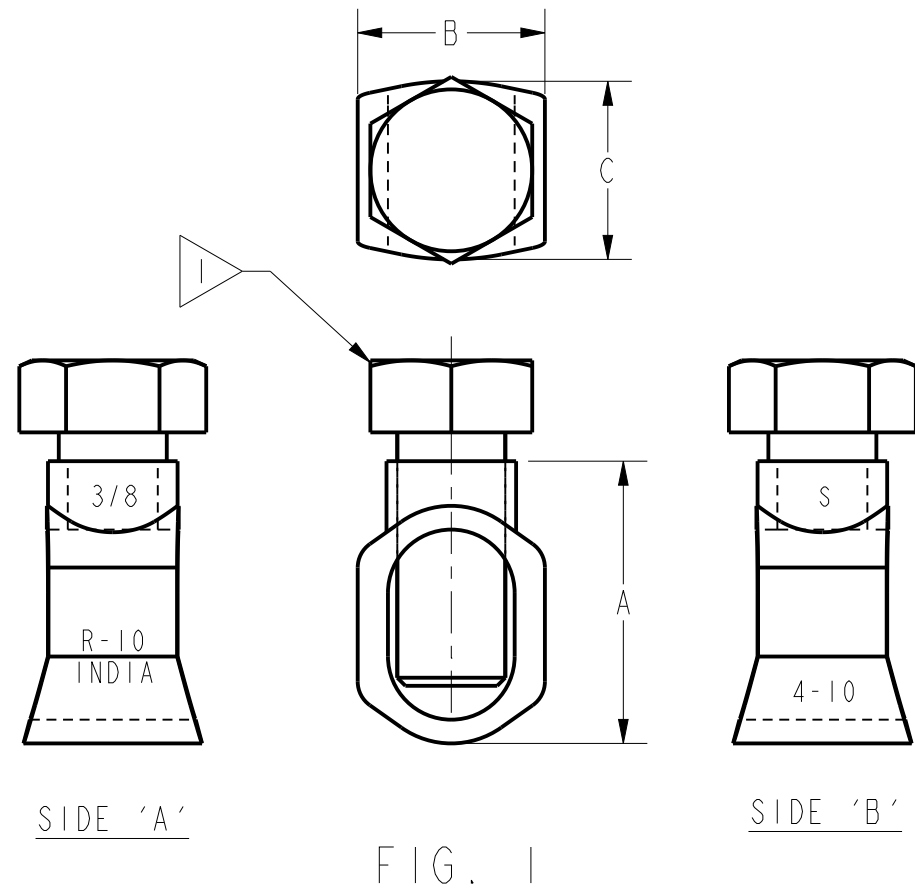


CATALOG NO.	FIG NO.	A	B	C	ACCOMMODATES		RECOMMENDED TORQUE (IN-LB)
					ROD SIZE	WIRE RANGE (AWG)	
GRL3	1	1.00 [25]	.67 [17]	.79 [20]	3/8	4-10	110
GRL4	2	1.20 [30]	.83 [21]	.64 [16]	1/2	2-10	150
GRL5	3	1.34 [34]	.94 [24]	.61 [15]	5/8	2-10	150
GRL6	4	1.50 [38]	1.08 [27]	.70 [18]	3/4	2-10	150

REV.	DATE	DESCRIPTION	ECO	BY	C'H'K.
G	05/29/2014 00:00:00 AM	DRAWING UPDATED AS PER MARK-UP	36282	GP	RJ



NOTES:

- 1 SILICON BRONZE HEX. HEAD BOLT.
 - 2 UL 467 LISTED, UNLESS OTHERWISE NOTED. GRL3/GRL3RK NOT UL LISTED.
 3. PARTS TO BE SHIPPED FULLY ASSEMBLED.
 4. MATERIAL: COPPER ALLOY.
 5. DIMENSIONS IN BRACKETS [] ARE IN MILLIMETERS ROUNDED OFF TO THE NEAREST MILLIMETER, UNLESS OTHERWISE NOTED AND ARE FOR REFERENCE ONLY.
- 6 RK SUFFIX FOR RACK PACKAGING.

TO ORDER BURNDY® PRODUCTS CALL

UNITED STATES:
1-800-346-4175 (LONDONDERRY, NH)

CANADA:
1-800-361-6975 (QUEBEC)
1-800-387-6487 (ALL OTHER PROVINCES)

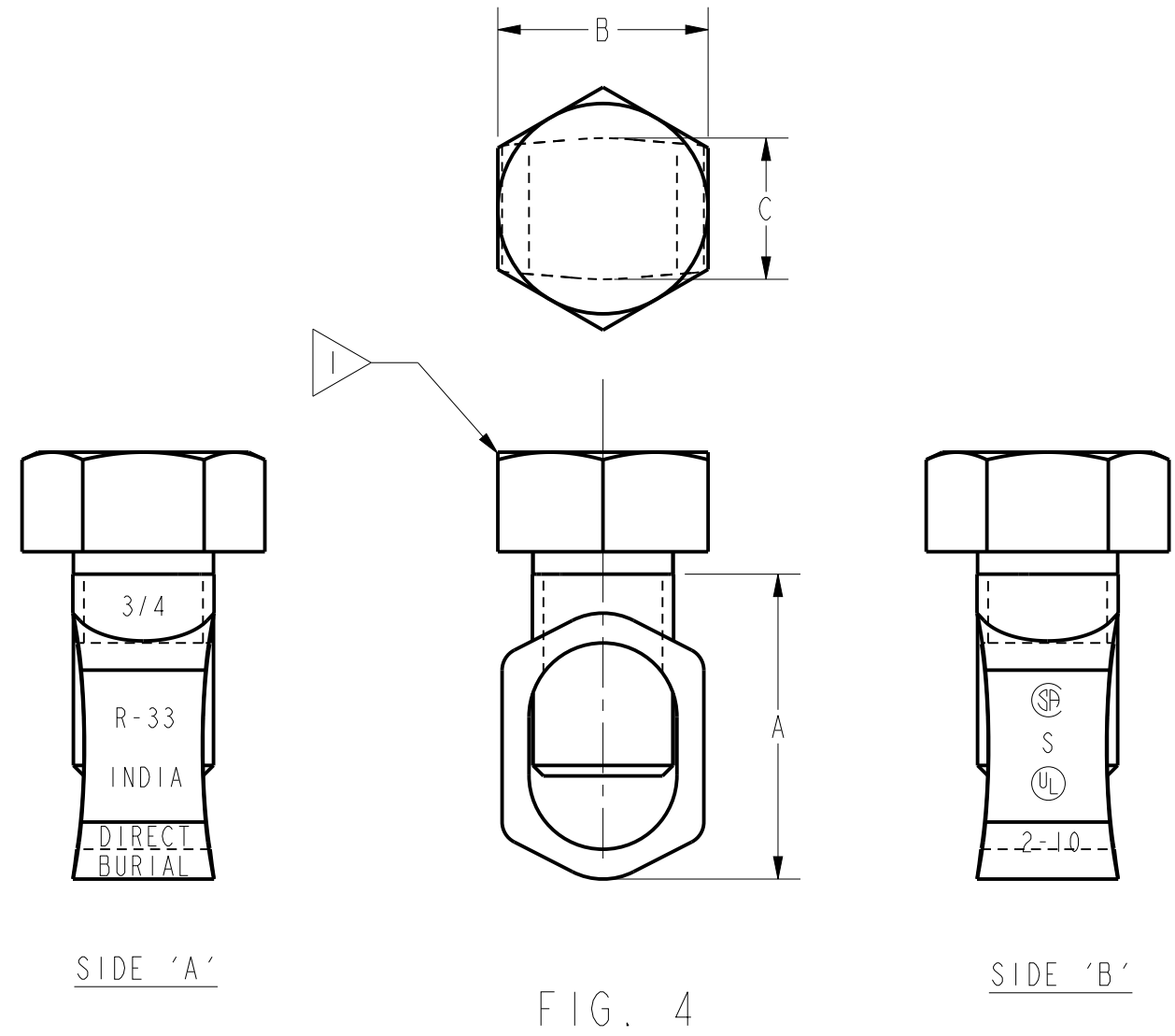
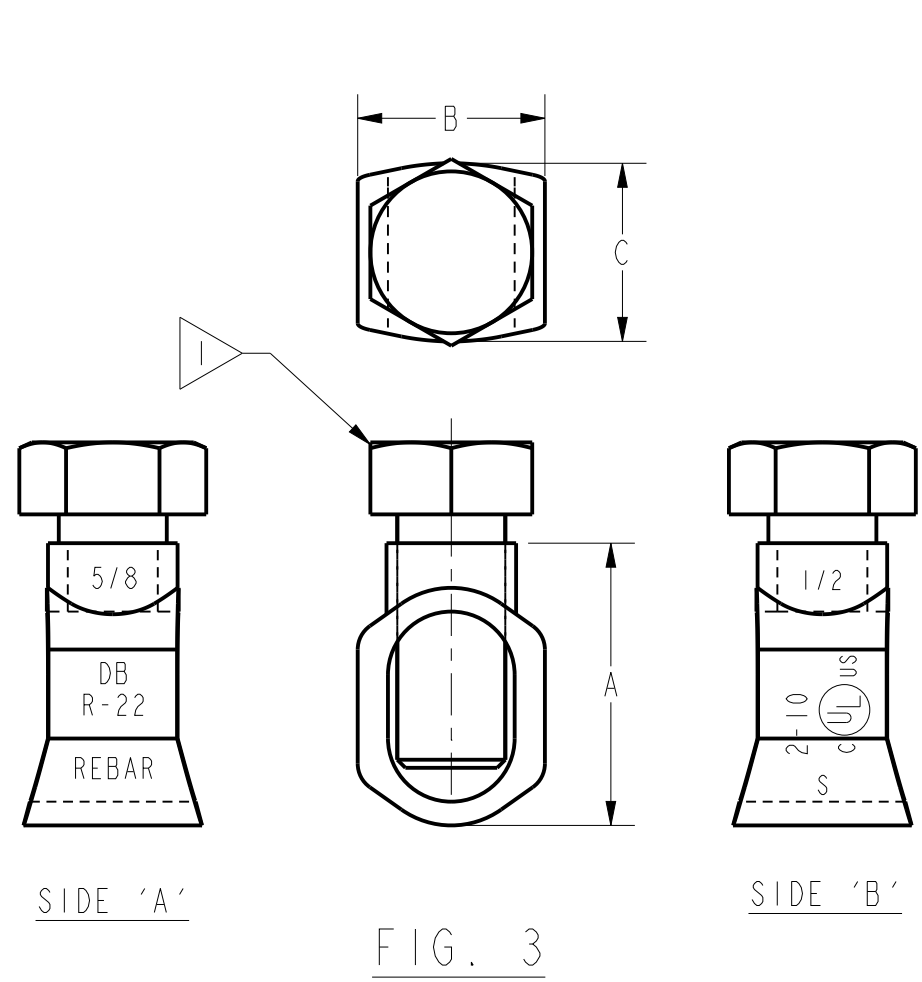
FOR PRODUCT INFO: <http://www.burndy.com>

GROUND ROD CLAMPS

ITEM NO: N/A	SCALE: NTS
CAT. NO: GRL -- (TABLE)	DRAWING NO
DRAWN BY: R PERREAU 5/26/95	REV
CHECKER: K HENRY 5/30/95	SC209790-01
DSN APPVL: G DITROIA 5/30/95	SHEET 1 OF 2
MFG APPVL: --	
QA APPVL: D VARIO 5/30/95	
MKT APPVL: T NELSON 5/30/95	
PROD FAM: --	
PROJECT #: --	
DOCUMENT TYPE: Sales	
REL LEVEL: Released	



REV.	DATE	DESCRIPTION	ECO	BY	C'H'K.
G	05/29/2014 00:00:00 AM	DRAWING UPDATED AS PER MARK-UP	36282	GP	RJ



REV: PE0200

TO ORDER BURNDY® PRODUCTS CALL
 UNITED STATES:
 1-800-346-4175 (LONDONDERRY, NH)
 CANADA:
 1-800-361-6975 (QUEBEC)
 1-800-387-6487 (ALL OTHER PROVINCES)
 FOR PRODUCT INFO: <http://www.burndy.com>

GROUND ROD CLAMPS	
ITEM NO:	N/A
CAT. NO:	GRL--(TABLE)
DRAWN BY:	R PERREAU 5/26/95
CHECKER:	K HENRY 5/30/95
DSN APPVL:	G DITROIA 5/30/95
MFG APPVL:	--
QA APPVL:	D VARIO 5/30/95
MKT APPVL:	T NELSON 5/30/95
PROD FAM:	--
PROJECT #:	--
DOCUMENT TYPE:	Sales
REL LEVEL:	Released
SCALE:	NTS
DRAWING NO	REV
SIZE	SC209790-01
REV	G
SHEET 2 OF 2	

