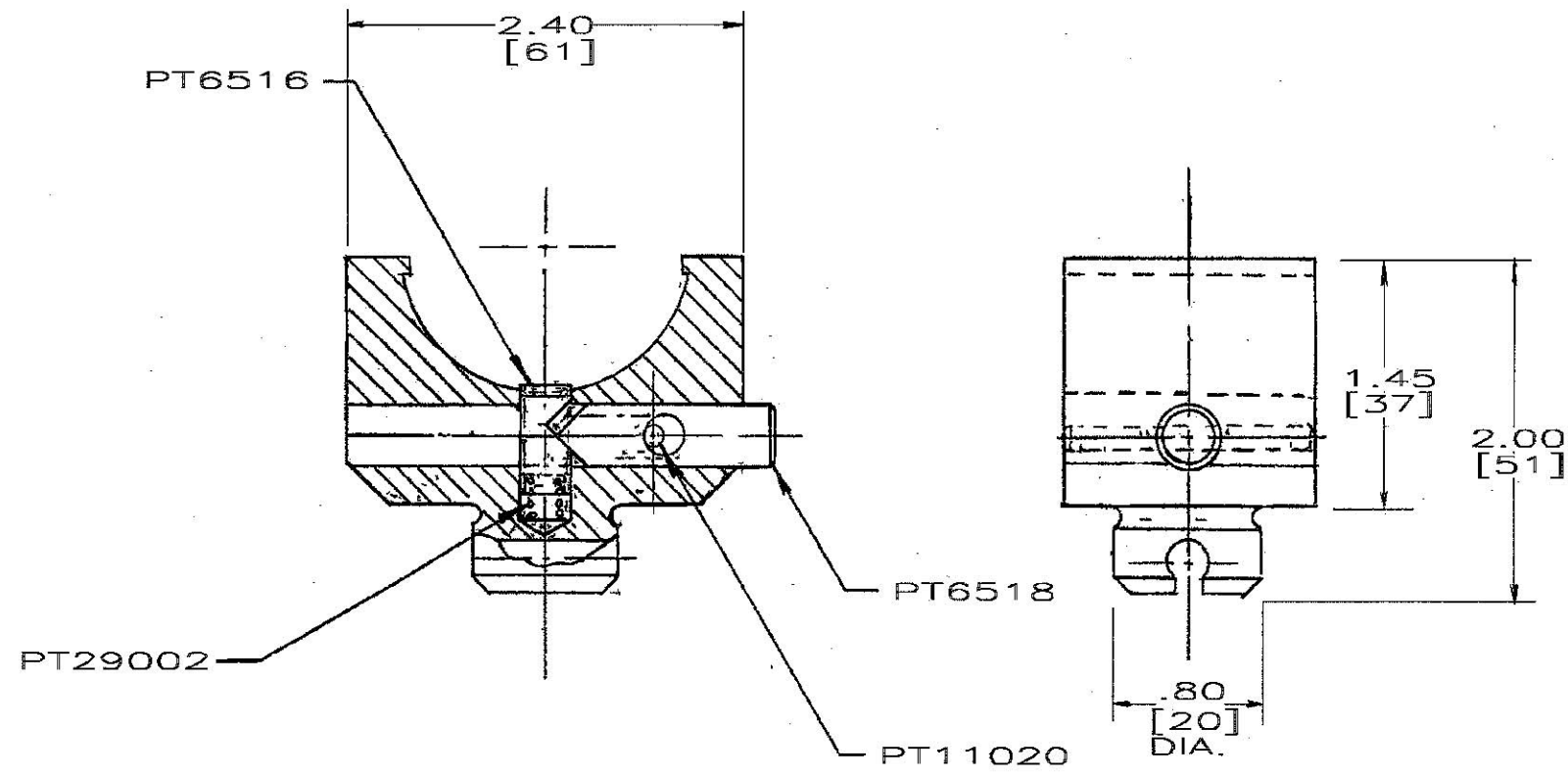


*** REPLACEMENT PARTS ***		REV.	DATE	DESCRIPTION	BY	C'K'D.
PART NO.	DESCRIPTION	0	22-JAN-96	DRAWING RELEASED	NSP	KLH
PT29002	CHUCK SPRING					
PT6516	DIE RETAINER PIN					
PT6518	DIE RELEASE SHAFT					
PT11020	1/8 x 1 1/2 SPIROL PIN					



**NOTES:**

1. FOR USE WITH ALL Y45 SERIES HYDRAULIC TOOL.
2. ACCOMMODATES U-DIES.
3. PART NUMBER PT6515 CONSISTS OF TWO ADAPTORS.
4. DIMENSIONS IN [ ] BRACKETS ARE IN MILLIMETERS, ROUNDED OFF TO THE NEAREST MILLIMETER, UNLESS OTHERWISE NOTED. ALL DIMENSIONS ARE FOR REFERENCE ONLY.

REV: 061995

'U' DIE ADAPTOR (Y45)			
CAT NO:	PT6515	SCALE	N/A
DRAWN:	N. PRESSMAN 15-JAN-96	CHECKED:	K. HENRY 15-JAN-96
DSGN APPVL:	G. GORDON 22-JAN-96	MFG APPVL:	N/A
Q.A. APPVL:	D. VARIO 22-JAN-96	MKTG APPVL:	M. BLAKE 22-JAN-96
CAD FILE:	N/A	PM REF:	N/A
		MDL REF:	N/A
		PROJECT:	DO 53547
		DRAWING NO.	SC210326
		SHEET	1 OF 1
		REV	0

