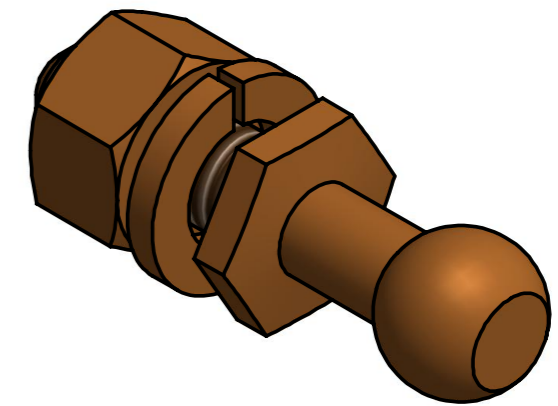
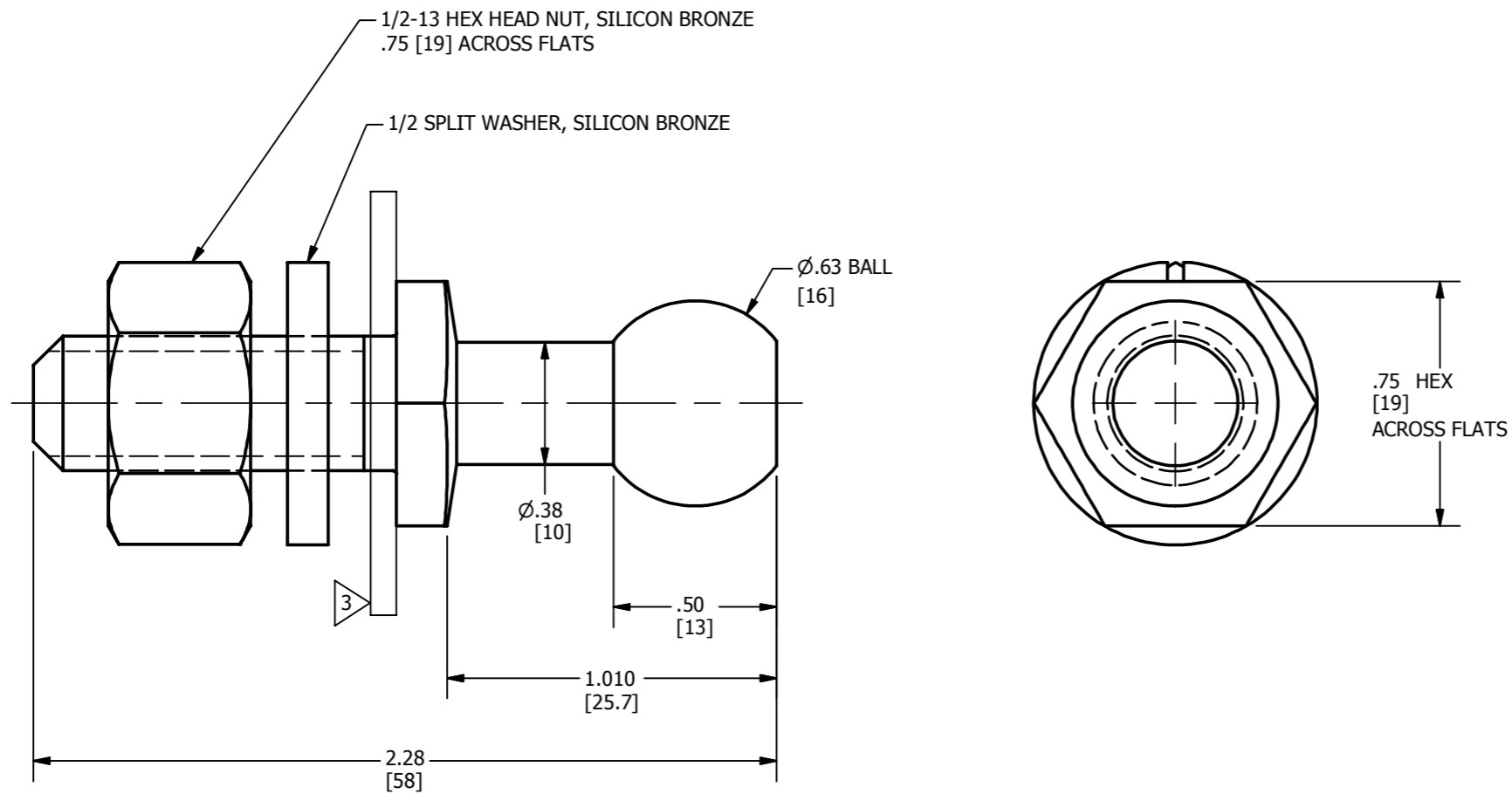


REV	DATE	DESCRIPTION	ECO	BY	C'H'K.
A	09/11/2013	DRAWING RELEASED	32882	KK	MA



NOTES:

1. MATERIAL: BRONZE
2. DIMENSIONS IN BRACKETS [] ARE IN MILLIMETERS ROUNDED OFF TO THE NEAREST MILLIMETER, UNLESS OTHERWISE SPECIFIED AND ARE FOR REFERENCE ONLY.

3 CAN BE USED WITH PLATES, BUS BARS OR STRUCTURAL STEEL UP TO .25 INCHES THICK.

TO ORDER BURNDY® PRODUCTS CALL		GROUNDING CONNECTOR	
UNITED STATES 1-800-346-4175 (LONDONDERRY, NH)		ITEM NO: 25003309	
CANADA: 1-800-361-6975 (QUEBEC) 1-800-387-6487 (ALL OTHER PROVINCES)		CAT. NO: GCB63T13G1	
FOR PRODUCT INFO: http://www.burndy.com		DRAWN BY: D.DOBROINSKI 11/01/1996	
		CHECKER: K.MELLO 04/23/1998	
		DSN APRVL: K.MELLO 04/23/1998	
		MFG APRVL: --	
		QA APRVL: S.GRAY 04/29/1998	
		MKT APRVL: P.MITCHELL 04/24/1998	
		PROJ FAM: --	
		PROJECT #: --	
		DRAWING NO	
		REV	
		SIZE	
		SC210623-01	
		A	
		SHEET 1 OF 1	
		REL LEVEL: Released	