

DRAWING NO.
SC210668-01

BURNDY CATALOG NO.	ITEM NUMBER	FIG. NO.	ACCOMMODATES CONDUCTOR RANGE		REFERENCE DIMENSIONS			RECOMMENDED SCREW TORQUE "INCH POUNDS"		MAIN		TAP
			WATER PIPE	ARMORED CONDUCTOR	H	L	W	PIPE CLAMP	WIRE CLAMP	REBAR	GROUND ROD	GROUND
C-11JA	25004348	1	1/2-1 [13-25]	10-6 SOL	1.38 [35]	3.05 [77]	1.41 [36]	50 LB-IN	50 LB-IN	--	--	--
C-22JA	25004349	1	1 1/4-2 [32-51]		2.60 [66]	3.69 [94]				--	--	--
C-4JA	25004350	1	2 1/2-4 [64-102]		4.29 [109]	5.01 [128]				--	--	--
C11HD4/ODB	10029748	2	1/2-1 [13-25]	4/0-8	2.89 [73]	2.65 [67]	1.56 [40]	50 LB-IN	50 LB-IN	#4 - #6	3/8" - 1"	#8 - 4/0 AWG
C22HD4/ODB	10034103	2	1 1/4-2 [32-51]		2.89 [73]	2.65 [67]	1.41 [36]			--	--	--

REV.	DATE	DESCRIPTION	ECO	BY	C'K'D.
D	03/05/12	ADD REBAR AND GROUND ROD DATA TO DRAWING	26913	TS	MA

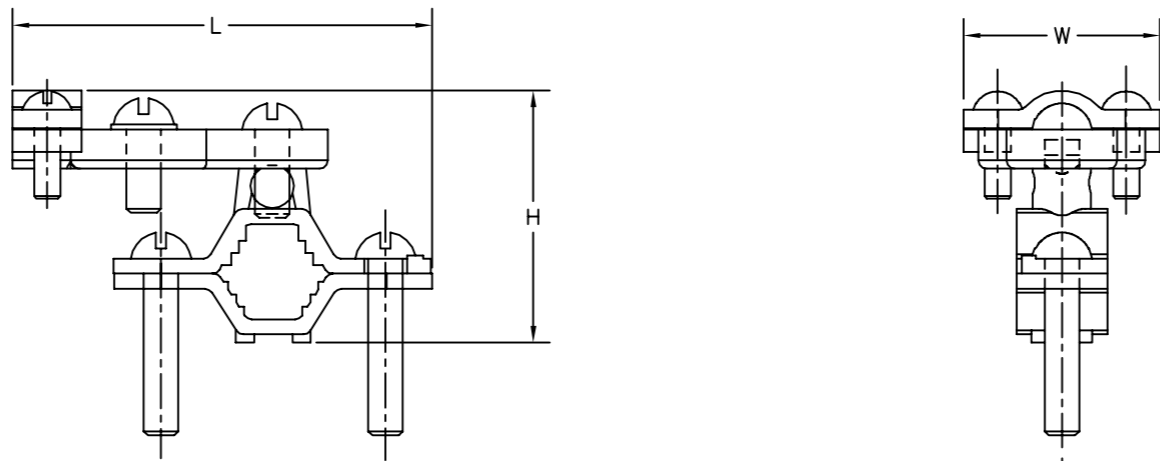


FIG. 1

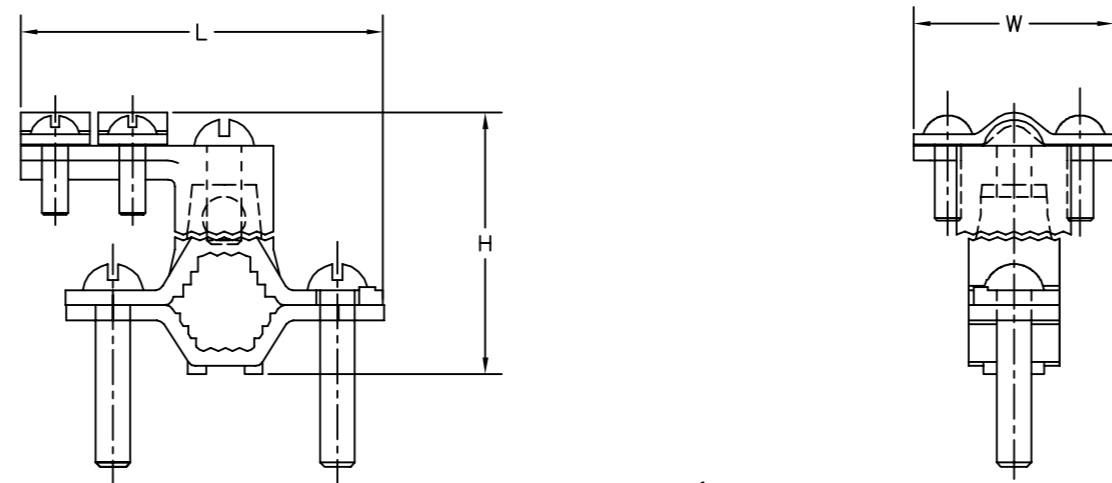


FIG. 2

- NOTES:
- MATERIAL: BODY: SOLID CAST BRONZE.
HARDWARE: STEEL, ZINC PLATED.
STRAP: ETP COPPER STRIP.
 - CONNECTORS ARE UL LISTED TO STANDARD UL467, GROUNDING AND BONDING EQUIPMENT FOR INDICATED CONDUCTOR RANGE.
 - CONNECTORS ARE CSA CERTIFIED TO STANDARD C22.2, NO. 41, GROUNDING AND BONDING EQUIPMENT FOR INDICATED CONDUCTOR RANGE.
 - DIMENSIONS IN BRACKETS [] ARE IN MILLIMETERS ROUNDED OFF TO THE NEAREST MILLIMETER, UNLESS OTHERWISE NOTED, AND ARE FOR REFERENCE ONLY.
 - SUITABLE FOR DIRECT BURIAL APPLICATIONS.
HARDWARE: SILICON BRONZE.
 - TO ACCOMMODATE THE SMALLER WATER PIPE SIZES, SOME CONNECTORS REQUIRE THE INSTALLER TO REVERSE THE BOTTOM SADDLE PORTION OF THE PIPE CLAMPING ELEMENT.

TO ORDER BURNDY® PRODUCTS CALL		GRD CLAMP, ARMOR WIRE W/360° SWING HUB-WATER PIPE	
UNITED STATES: 1-800-346-4175 (LONDONDERRY, NH)		ITEM NO: SEE TABLE	
CANADA: 1-800-361-6975 (QUEBEC)		CAT NO: SEE TABLE	
1-800-387-6487 (ALL OTHER PROVINCES)		SCALE: N/A	
FOR PRODUCT INFO: http://www.burndy.com		DRAWN BY: D. DOBRINSKI 01/15/97	
		CHECKER: D.D. 04/17/97	
		DSN APPVL: K. MELLO 04/18/97	
		MFG APPVL: ---	
		QC APPVL: D. VARIO 04/23/97	
		MKT APPVL: P. WORTHMAN 04/23/97	
		PROD FAM: ---	
		PROJECT #: ---	
		DOCUMENT TYPE: Sales	
		REL LEVEL: AutoCAD	
		DRAWING NO: SC210668-01	
		REV: D	
		SHEET 1 OF 1	

