

REV.	DATE	DESCRIPTION	ECO	BY	C'K'D.
C	12/10/08	ADD NOTE 6 TO DRAWING PER M/U.	17166	RB	JP

BURNDY CATALOG NO.	ITEM NUMBER	FIG. NO.	ACCOMMODATES CONDUCTOR RANGE		REFERENCE DIMENSIONS			RECOMMENDED SCREW TORQUE "INCH POUNDS"	
			WATER PIPE	ARMORED CONDUCTOR	H	L	W	PIPE CLAMP	WIRE CLAMP
C-11JA	25004348	1	1/2-1 [13-25]	10-6 SOL	1.38 [35]	3.05 [77]	1.41 [36]	50 LB-IN	50 LB-IN
C-22JA	25004349	1	1 1/4-2 [32-51]		2.60 [66]	3.69 [94]			
C-4JA	25004350	1	2 1/2-4 [64-102]		4.29 [109]	5.01 [128]			
C11HD4/0DB	10029748	2	1/2-1 [13-25]	4/0-8	2.89 [73]	2.65 [67]	1.56 [40]	50 LB-IN	50 LB-IN
C22HD4/0DB	10034103	2	1 1/4-2 [32-51]		2.89 [73]	2.65 [67]			

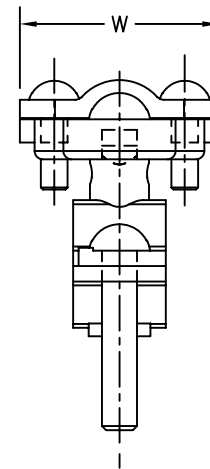
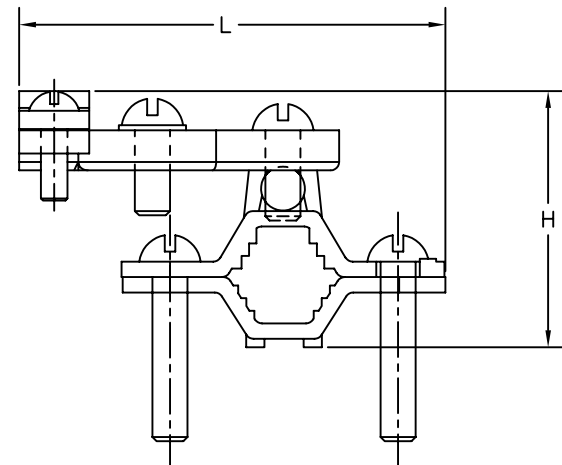


FIG. 1

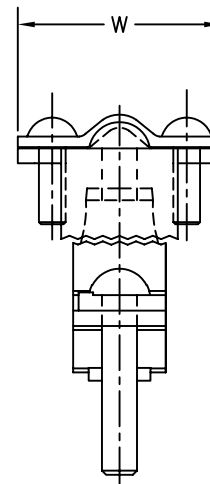
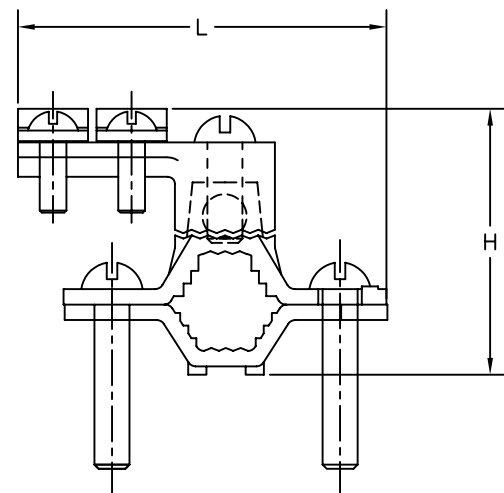



FIG. 2 5

NOTES:

1. MATERIAL: BODY: SOLID CAST BRONZE.
HARDWARE: STEEL, ZINC PLATED.
STRAP: ETP COPPER STRIP.
2. CONNECTORS ARE UL LISTED TO STANDARD UL467, GROUNDING AND BONDING EQUIPMENT FOR INDICATED CONDUCTOR RANGE.
3. CONNECTORS ARE CSA CERTIFIED TO STANDARD C22.2, NO. 41, GROUNDING AND BONDING EQUIPMENT FOR INDICATED CONDUCTOR RANGE.
4. DIMENSIONS IN BRACKETS [] ARE IN MILLIMETERS ROUNDED OFF TO THE NEAREST MILLIMETER, UNLESS OTHERWISE NOTED, AND ARE FOR REFERENCE ONLY.
- 5 SUITABLE FOR DIRECT BURIAL APPLICATIONS.
HARDWARE: SILICON BRONZE.
6. TO ACCOMMODATE THE SMALLER WATER PIPE SIZES, SOME CONNECTORS REQUIRE THE INSTALLER TO REVERSE THE BOTTOM SADDLE PORTION OF THE PIPE CLAMPING ELEMENT.

TO ORDER BURNDY® PRODUCTS CALL UNITED STATES: 1-800-346-4175 (LONDONDERRY, NH) CANADA: 1-800-361-6975 (QUEBEC) 1-800-387-6487 (ALL OTHER PROVINCES) FOR PRODUCT INFO: http://www.fciconnect.com		GRD CLAMP, ARMOR WIRE W/360° SWING HUB-WATER PIPE ITEM NO: SEE TABLE CAT NO: SEE TABLE SCALE: N/A DRAWN BY: D. DOBRINSKI 01/15/97 CHECKER: D.D. 04/17/97 DSN APPVL: K. MELLO 04/18/97 MFG APPVL: --- QC APPVL: D. VARIO 04/23/97 MKT APPVL: P. WORTHMAN 04/23/97 PROD FAM: --- PROJECT #: --- DOCUMENT TYPE: Sales REL LEVEL: AutoCAD	
			
		DRAWING NO SC210668-01	REV C
		SHEET 1 OF 1	