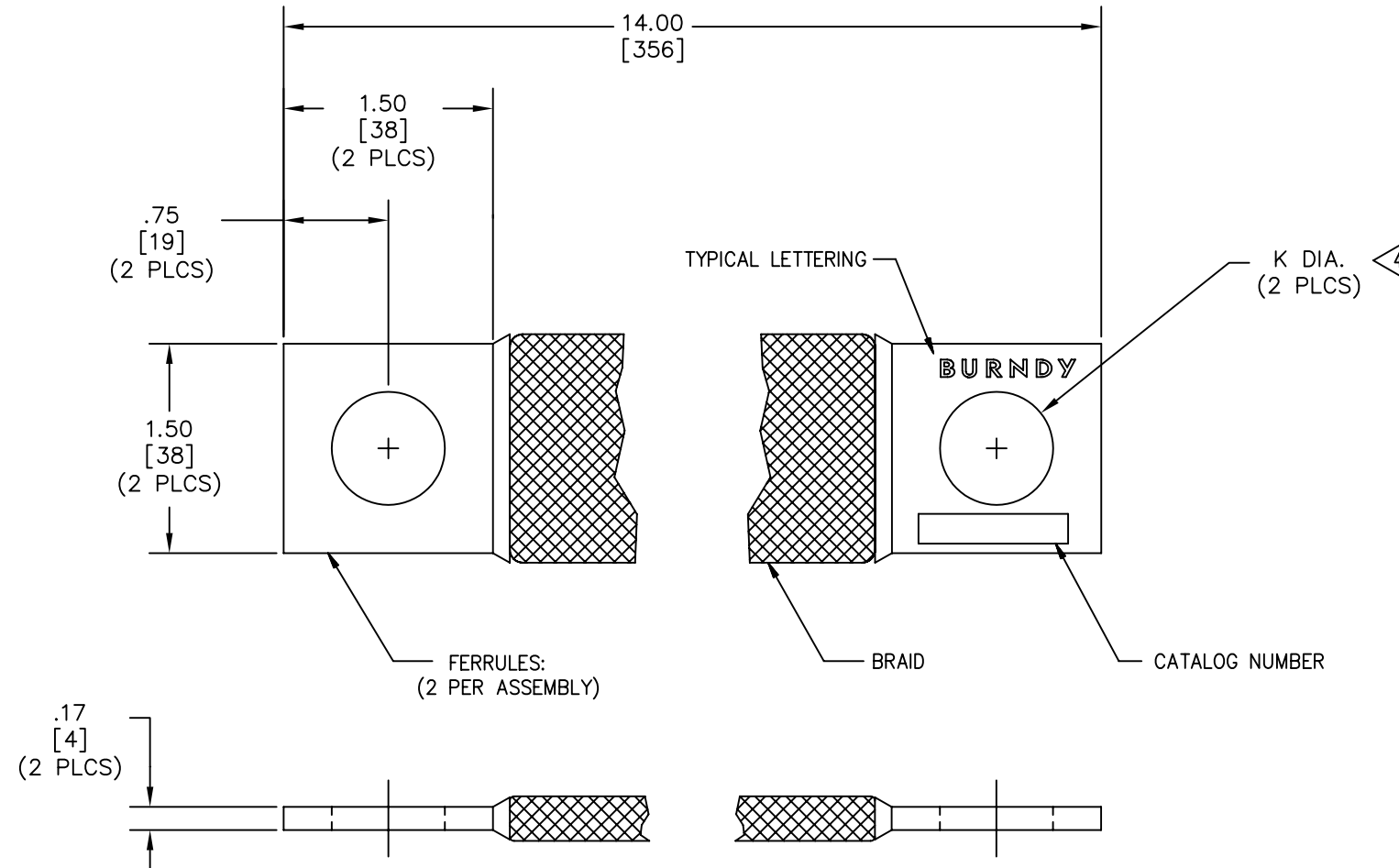


DRAWING NO. <b>SC211222-01</b>		4
CATALOG NUMBER	$\triangleleft 5$	K DIA.
BE14G123U	$\triangleleft 4$	----
BE14G123		.69 [18]
BE14G124		.81 [21]
BE14G125		.94 [24]

REV.	DATE	DESCRIPTION	ECO	BY	C'K'D.
0	10/17/97	DRAWING RELEASED	--	PL	JW



**NOTES:**

- MATERIAL: FERRULES - COPPER  
BRAID - TINNED COPPER
- APPROXIMATE AMP RATING: 340 INDOOR, 405 OUTDOOR AT 30°C RISE ABOVE 40°C AMBIENT CONDITIONS. THIS RATING MAY VARY WITH AMBIENT CONDITIONS, ORIENTATION OF THE BRAID, AND OTHER SERVICE CONDITIONS.
- DIMENSIONS IN BRACKETS [ ] ARE IN MILLIMETERS ROUNDED OFF TO THE NEAREST MILLIMETER, UNLESS OTHERWISE NOTED, AND ARE FOR REFERENCE ONLY.

$\triangleleft 4$  "U" SUFFIX DENOTES UNDRILLED PADS ON EACH END.

$\triangleleft 5$  SUFFIX "TN" DENOTES TIN PLATED FERRULES.

TO ORDER BURNDY PRODUCTS CALL 1-800-346-4175 MANCHESTER, NH 03109, USA FOR PRODUCT INFO = <a href="http://www.fciconnect.com">http://www.fciconnect.com</a>			
FLEXIBLE BRAID			
ITEM NO: N/A			
CAT NO: BE14G- -, BE146G- -TN $\triangleleft 5$			
SCALE: NTS			
DRAWN BY: P LAPONIUS	10/17/97		
CHECKER: J WALTERS	10/17/97		
DSN APPVL: G ZAHLMAN	10/17/97		
MFG APPVL: --	--		
QC APPVL: S GRAY	10/20/97		
MKT APPVL: T NELSON	10/17/97	DRAWING NO	REV
PROD FAM: --	--	SC211222-01	0
PROJECT #: --	SIZE	SHEET 1 OF 1	
DOCUMENT TYPE: Sdtes	C		
REL LEVEL: AutoCAD			