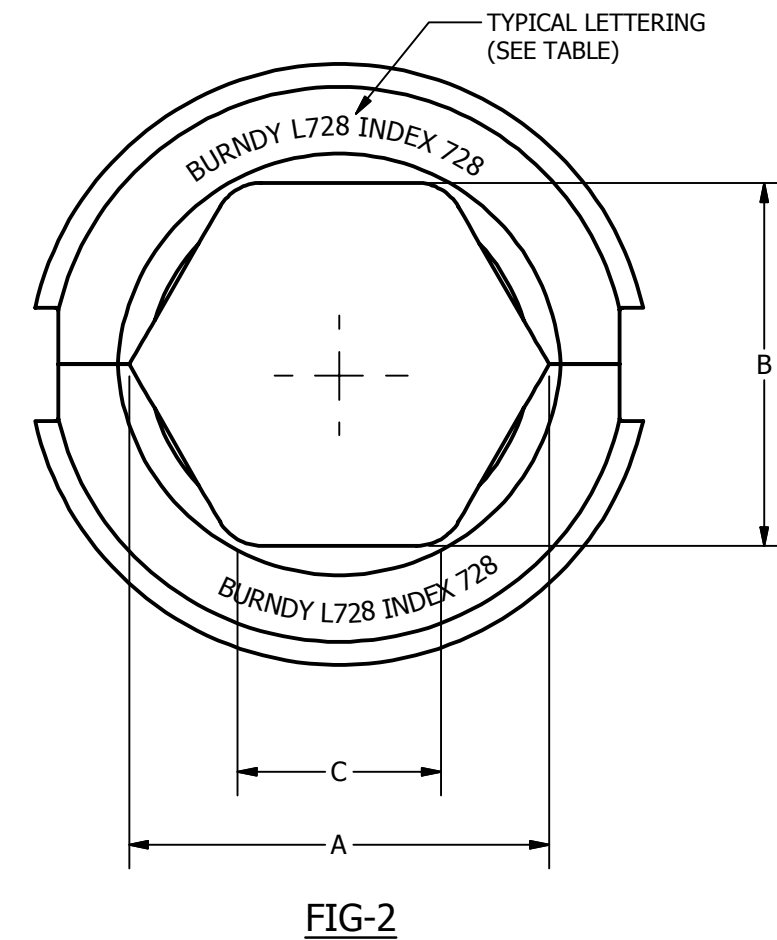
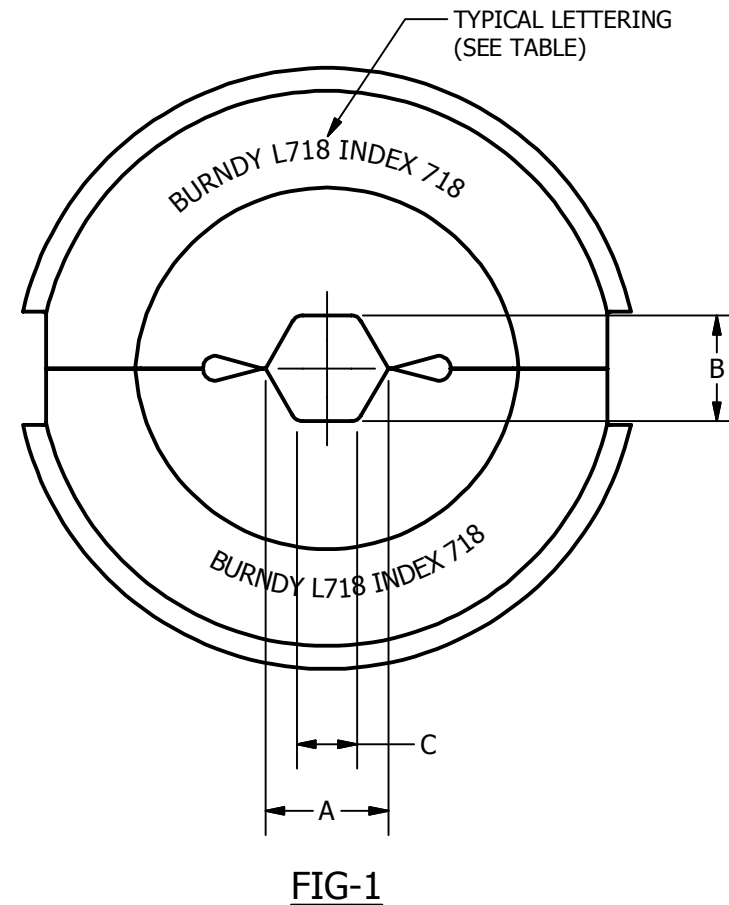


CATALOG NO.	FIG.NO.	DIM. "A" REF.	DIM. "B" REF.	DIM. "C" REF.
L717	1	1.13 [29]	.95 [24]	.58 [15]
L718	1	.64 [16]	.55 [14]	.32 [8]
L719	1	1.25 [32]	1.06 [27]	.64 [16]
L720	1	1.35 [34]	1.15 [29]	.69 [18]
L721	1	.74 [19]	.62 [16]	.38 [10]
L722	1	1.44 [37]	1.25 [32]	.72 [18]
L723	1	.84 [21]	.72 [18]	.41 [10]
L724	1	1.60 [41]	1.38 [35]	.80 [20]
L725	1	1.69 [43]	1.47 [37]	.84 [21]
L726	1	.94 [24]	.83 [21]	.46 [12]
L727	1	1.88 [48]	1.61 [41]	.95 [24]
L728	2	2.19 [56]	1.89 [48]	1.10 [28]
L729	2	2.50 [64]	2.04 [52]	1.32 [34]
L735	2	2.45 [62]	2.14 [54]	1.21 [31]
L737	2	2.00 [51]	1.80 [46]	.96 [24]
L740	2	2.54 [65]	2.20 [56]	1.27 [32]
L767	2	2.10 [53]	1.81 [46]	1.05 [27]
L789	1	1.13 [29]	.95 [24]	.58 [15]
L792	1	1.21 [31]	1.00 [25]	.64 [16]
L865	1	1.44 [37]	1.25 [32]	.72 [18]
L866	1	1.69 [43]	1.47 [37]	.84 [21]

REV	DATE	DESCRIPTION	ECO	BY	CHK.
A	08/14/2013	DRAWING RELEASED	32856	YM	MB



NOTES:

- FOR USE IN BURNDY® HYPRESS™ Y60 SERIES CRIMPING PRESSES.
- DIMENSIONS IN BRACKETS [] ARE IN MILLIMETERS ROUNDED OFF TO THE NEAREST MILLIMETER, UNLESS OTHERWISE SPECIFIED AND ARE FOR REFERENCE ONLY.

TO ORDER BURNDY® PRODUCTS CALL UNITED STATES 1-800-346-4175 (LONDONDERRY, NH) CANADA: 1-800-361-6975 (QUEBEC) 1-800-387-6487 (ALL OTHER PROVINCES) FOR PRODUCT INFO: http://www.burndy.com		HEXAGONAL TWIN DIES	
		ITEM NO: N/A	CAT. NO: L _ _ (SEE TABLE)
DRAWN BY: D.BOISVERT 10/28/1998 CHECKER: J.LEFAVOUR 12/03/1998 DSN APRVL: R.POIRIER 12/03/1998 MFG APRVL: -- QA APRVL: JOE 09/24/2013 MKT APRVL: MIKE 10/15/2013 PROD FAM: --		BURNDY®	
PROJECT #: D054073	SIZE	DRAWING NO	REV
DOCUMENT TYPE: SALES	B	SC211889-01	A
REL LEVEL: Released		SHEET 1 OF 1	