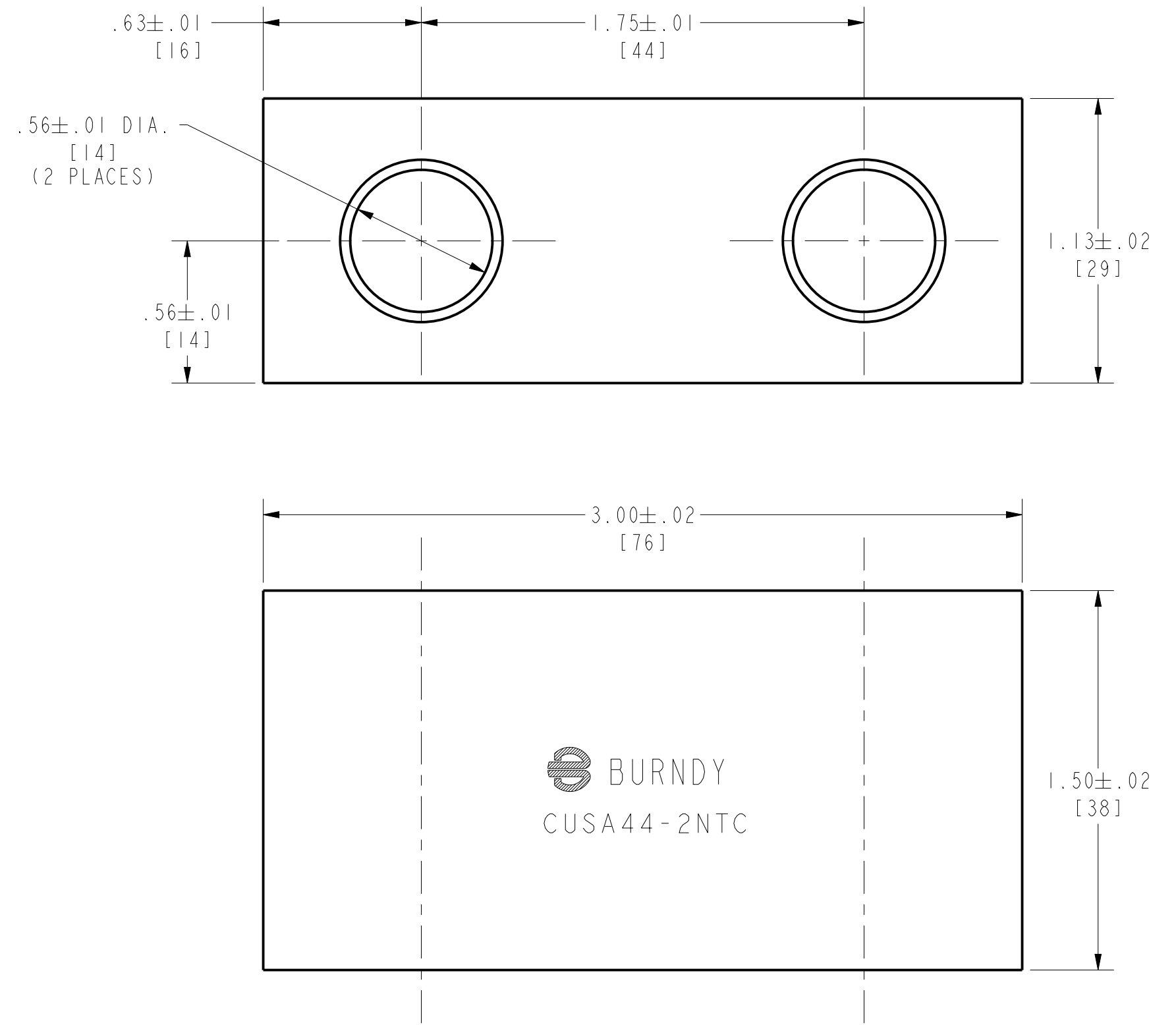
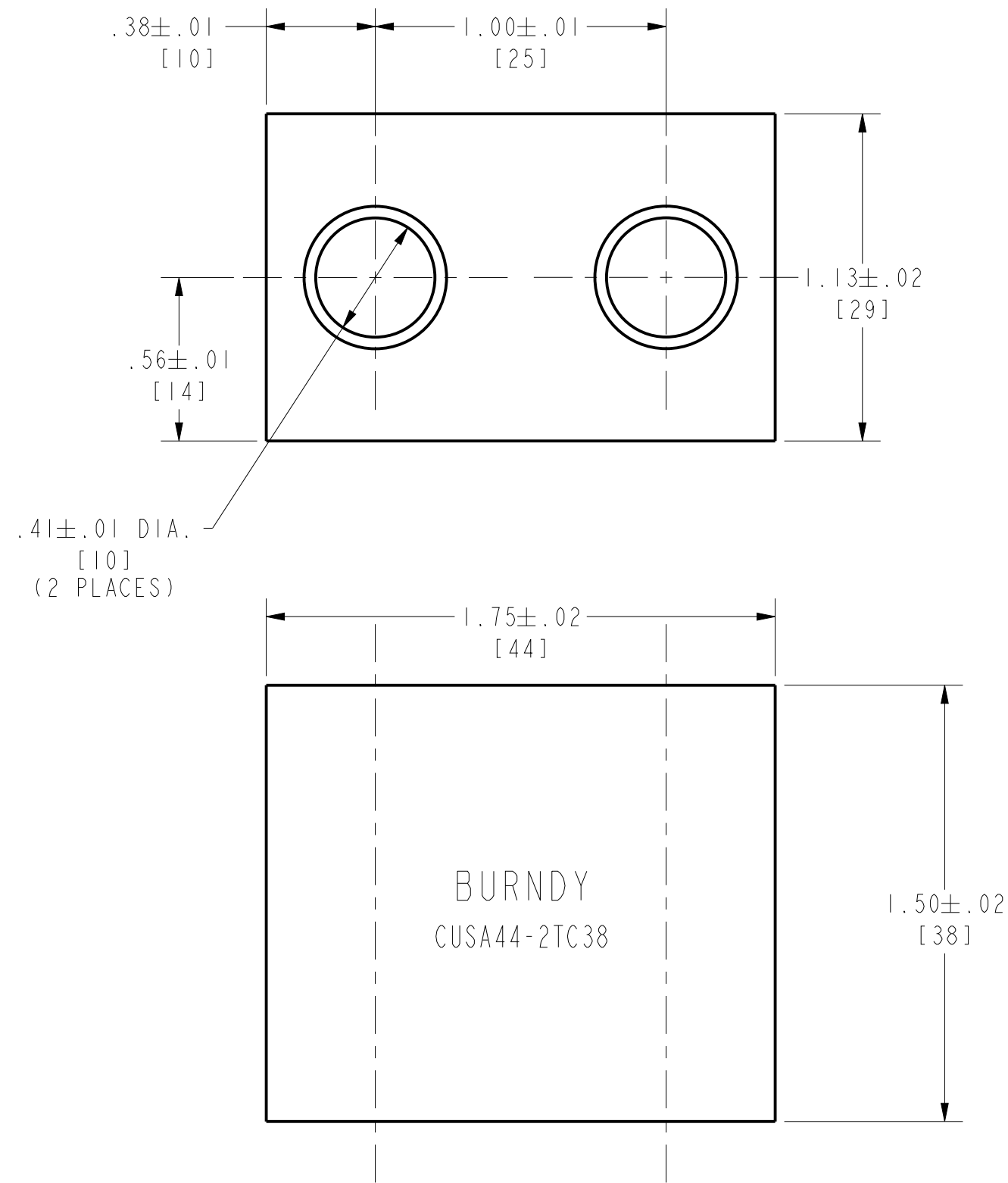


REV	DATE	DESCRIPTION	ECO	BY	C'HK.
B	06/06/2013 00:00:00 AM	CORRECTION ON MATERIAL NAME	32021	PM	MB



NOTES:

1. MATERIAL: COPPER ALLOY.
2. PLATING: TIN.
3. DIMENSIONS IN BRACKETS [ ] ARE IN MILLIMETERS ROUNDED OFF TO THE NEAREST MILLIMETER, UNLESS OTHERWISE NOTED, AND ARE FOR REFERENCE ONLY.
4. HYSTACK™ TERMINAL STACKING ADAPTORS CAN ELECTRICALLY ACCOMMODATE ANY BURNDY® COPPER TERMINAL RATED FOR 1000 kcmil OR BELOW.

TO ORDER BURNDY® PRODUCTS CALL  
 UNITED STATES:  
 1-800-346-4175 (LONDONDERRY, NH)  
 CANADA:  
 1-800-361-7975 (QUEBEC)  
 1-800-387-6487 (ALL OTHER PROVINCES)  
 FOR PRODUCT INFO: <http://www.burndy.com>

HYSTACK™	
ITEM NO:	N/A
CAT. NO:	CUSA442TC38 & CUSA442NTC
DRAWN BY:	P LAPONIUS 07/19/00
CHECKER:	J MICHAUD 07/19/00
DSN APPVL:	J MICHAUD 07/19/00
MFG APPVL:	--
QA APPVL:	J BRODEUR 07/19/00
MKT APPVL:	R ROBICHEAU 07/19/00
PROD FAM:	CM&R COMPRESSION
PROJECT #:	--
DOCUMENT TYPE:	Sales
REL LEVEL:	Released
SCALE:	2:1
DRAWING NO	SC212660-01
REV	B
SHEET 1 OF 1	

REV: PE0200

A