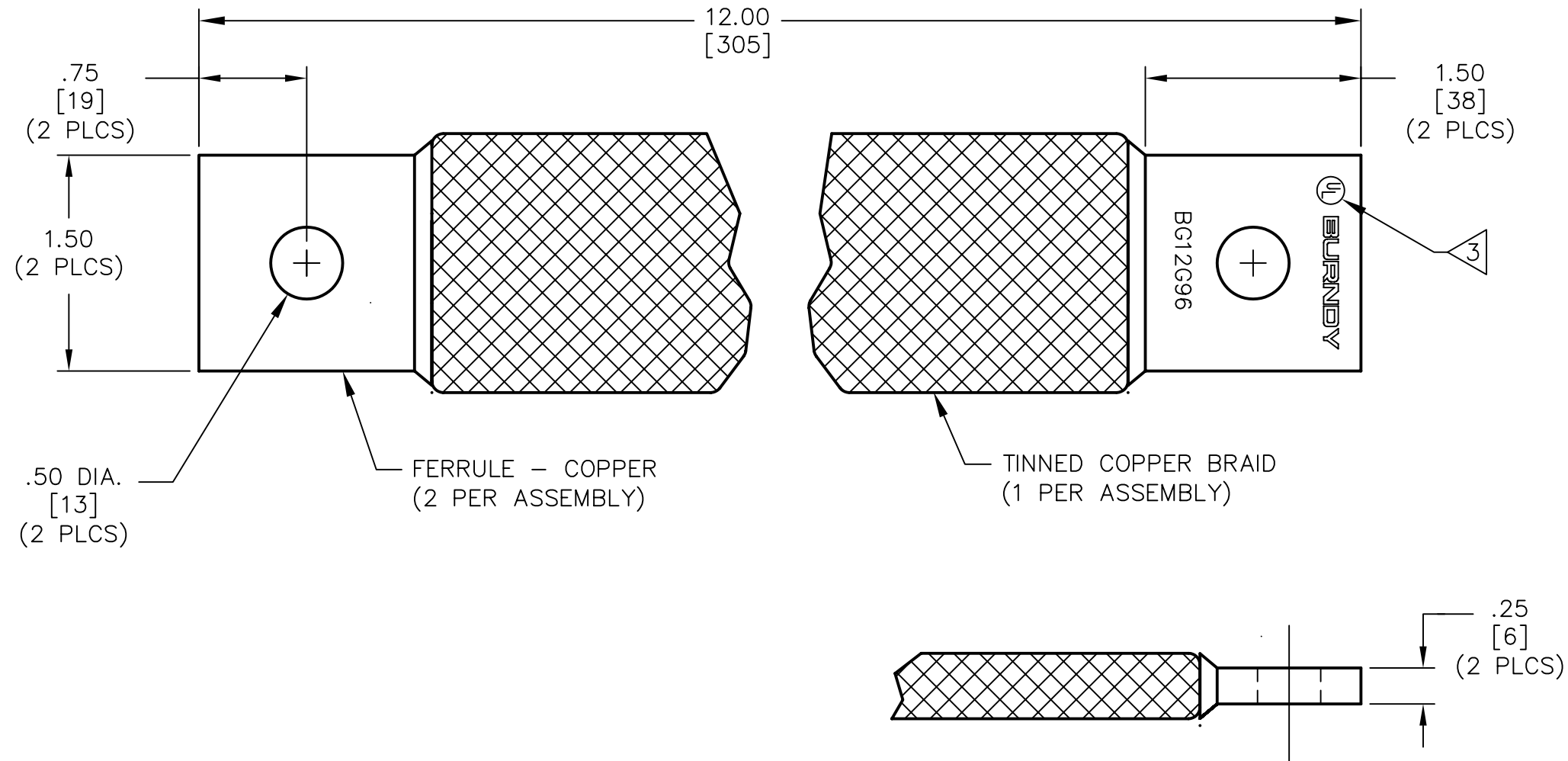


REV.	DATE	DESCRIPTION	ECO	BY	C'K'D.
B	12/10/07	ADDED FLAG & TEXT NOTE #3	15258	PL	DB



NOTES:

1. DIMENSIONS IN BRACKETS [] ARE IN MILLIMETERS ROUNDED OFF TO THE NEAREST MILLIMETER, UNLESS OTHERWISE NOTED, AND ARE FOR REFERENCE ONLY.
2. APPROXIMATE AMP RATING 415 INDOOR, 495 OUTDOOR. THIS RATING MAY VARY WITH AMBIENT CONDITIONS, ORIENTATION OF THE BRAID, AND OTHER SERVICE CONDITIONS.

3 "UL" SYMBOL PER INTERNAL SPEC. L4219, LOCATION AND SIZE TO BE DETERMINED BY MANUFACTURING.

TO ORDER BURNDY®PRODUCTS CALL 1-800-346-4175
 MANCHESTER, NH 03109, USA
 FOR PRODUCT INFO = <http://www.fciconnect.com>

BRAID, FLEXIBLE

ITEM NO: 26002040

CAT NO: BG12G96

SCALE: 1/1	
DRAWN BY: P LAPONIUS	8/4/01
CHECKER: J LETOURNEAU	8/9/01
DSN APPVL: G DITROIA	7/27/01
MFG APPVL: ---	---
QC APPVL: S BROWN	7/27/01
MKT APPVL: D HAMILTON	7/27/01
PROD FAM: ---	
PROJECT #: ---	SIZE
DOCUMENT TYPE: Sales	B
REL LEVEL: AutoCAD	



DRAWING NO	REV
SC213700-01	B
SHEET 1 OF 1	