

DRAWING NO.
SC023464-01

CATALOG NUMBER	CONDUCTOR RANGE COPPER CABLE 'A'	FIG. NO.	B	C	CF	D ³	H	J	L	W	T
QA1C-2N	#4 STR. (.232) - #1 STR. (.330)	1	.88 [22]	1.00 [25]	.56 [14]	3.00 [76]	1.00 [25]	.438-20	4.19 [106]	.81 [21]	.22 [6]
QA4C-2N ¹	#8 STR. (.146) - #4 STR. (.232)	1	.75 [19]	1.00 [25]	.56 [14]	3.00 [76]	.72 [18]	.469-20	4.00 [102]	.62 [16]	.19 [5]
QA26-2N	2/0 STR. (.418) - 1/0 STR. (.373)	1	.94 [24]	1.00 [25]	.69 [18]	3.12 [79]	1.16 [29]	.500-20	4.19 [106]	.81 [21]	.22 [6]
QA28-2N	3/0 STR. (.470) - 4/0 STR. (.528)	1	1.06 [27]	1.00 [25]	.69 [18]	3.09 [78]	1.34 [34]	.500-20	4.31 [109]	1.00 [25]	.25 [6]
QA31-2N	250 kcmil (.575) - 350 kcmil (.681)	1	1.19 [30]	1.19 [30]	.75 [19]	3.09 [78]	1.69 [43]	.562-18	4.44 [113]	1.31 [33]	.31 [8]
QA34-2N	400 kcmil (.728) - 500 kcmil (.814)	1	1.38 [35]	1.38 [35]	.81 [21]	3.09 [78]	1.94 [49]	.625-18	4.69 [119]	1.44 [37]	.31 [8]
QA34-4N	400 kcmil (.728) - 500 kcmil (.814)	2	1.38 [35]	3.00 [76]	.81 [21]	3.09 [78]	1.94 [49]	.625-18	4.69 [119]	1.44 [37]	.31 [8]
QA40-2N	600 kcmil (.893) - 800 kcmil (1.031)	1	1.62 [41]	1.62 [41]	1.00 [25]	3.00 [76]	2.31 [59]	.750-16	4.81 [122]	1.75 [44]	.38 [10]
QA40-4N	600 kcmil (.893) - 800 kcmil (1.031)	2	1.62 [41]	3.00 [76]	1.00 [25]	3.06 [78]	2.31 [59]	.750-16	4.87 [124]	1.75 [44]	.38 [10]
QA44-2N	850 kcmil (1.063) - 1000 kcmil (1.152)	1	1.75 [44]	1.88 [48]	1.25 [32]	3.00 [76]	2.50 [64]	.875-14	4.94 [125]	1.88 [48]	.50 [13]
QA44-4N	850 kcmil (1.062) - 1000 kcmil (1.152)	2	1.75 [44]	3.00 [76]	1.25 [32]	3.06 [78]	2.50 [64]	.875-14	5.00 [127]	1.88 [48]	.50 [13]
QA46-2N	1100 kcmil (1.209) - 1500 kcmil (1.412)	1	2.00 [51]	2.12 [54]	1.25 [32]	3.00 [76]	2.88 [73]	.875-14	5.25 [133]	2.19 [56]	.56 [14]
QA46-4N	1100 kcmil (1.209) - 1500 kcmil (1.412)	2	2.00 [51]	3.00 [76]	1.25 [32]	3.12 [79]	2.88 [73]	.875-14	5.38 [137]	2.19 [56]	.50 [13]
QA48-2N	1600 kcmil (1.459) - 2000 kcmil (1.631)	1	2.38 [60]	2.50 [64]	1.44 [37]	3.00 [76]	3.19 [81]	1.000-14	5.62 [143]	2.38 [60]	.62 [16]
QA48-4N	1600 kcmil (1.459) - 2000 kcmil (1.631)	2	2.38 [60]	3.00 [76]	1.44 [37]	3.12 [79]	3.19 [81]	1.000-14	5.75 [146]	2.38 [60]	.62 [16]

DRAWING TOLERANCE BLOCK						
CONNECTOR SIZE RANGE	B DIM.	C DIM.	H DIM.	L DIM.	W DIM.	T DIM.
QA4C TO QA25	±.03"	±.03"	±.03"	±.06"	±.03"	±.03"
QA26 TO QA34	±.04"	±.04"	±.04"	±.09"	±.04"	±.04"
QA36 TO QA40	±.06"	±.06"	±.06"	±.12"	±.06"	±.06"
QA44 TO QA48	±.09"	±.09"	±.09"	±.15"	±.06"	±.06"

NOTES:

- 1 THIS SIZE HAS FLAT STAMPED CAPS.
- 2. WHEN CATALOG NUMBER HAS SUFFIX LETTERS "TN" (EX. QA34-2NTN) CONNECTOR WILL BE TIN PLATED.
- 3 "D" DIMENSION IS NOT TO BE LESS THAN 3.00".
- 4. MATERIAL: CAST COPPER ALLOY.
- 5. FINISH: BRIGHT DIPPED.
- 6. DIMENSIONS IN BRACKETS [] ARE IN MILLIMETERS, ROUNDED OFF TO THE NEAREST MILLIMETER, UNLESS OTHERWISE NOTED, AND ARE FOR REFERENCE ONLY.

REV.	DATE	DESCRIPTION	ECO	BY	C'K'D.
B	02/21/08	UPDATE NOTE 2 AND CHANGE PREFIX TO SUFFIX.	15673	RB	PL

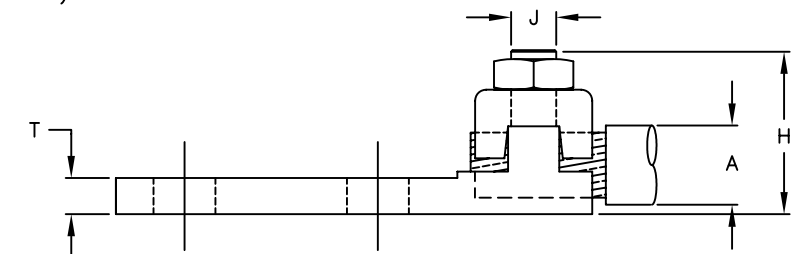
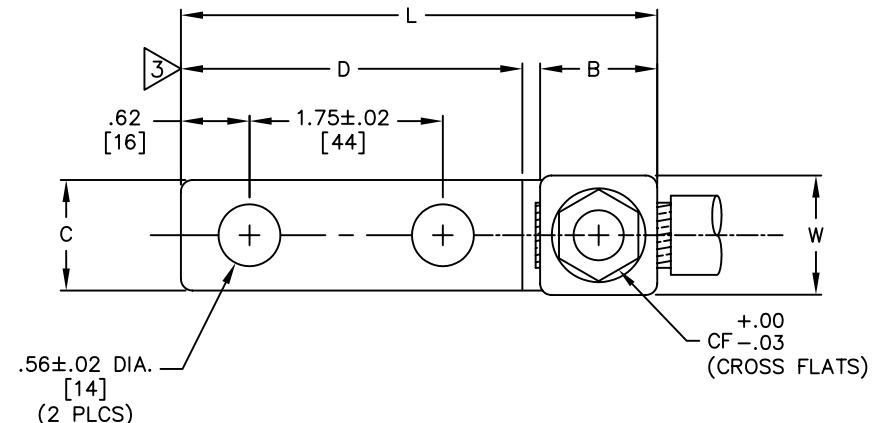


FIG. 1

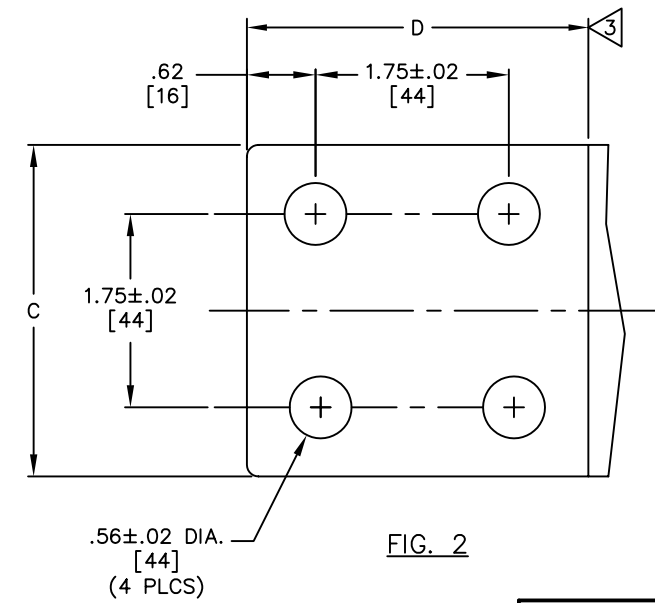


FIG. 2

TO ORDER BURNDY PRODUCTS CALL 1-800-346-4175
MANCHESTER, NH 03109, USA
FOR PRODUCT INFO = <http://www.fciconnect.com>

QIKLUG™ (NEMA TONGUE)

ITEM NO: N/A

CAT NO: QA-N (TABLE)

SCALE: 1/1

DRAWN BY: B.K. 12/12/50

CHECKER: L.H. 2/14/51

DSN APPVL: ---

MFG APPVL: ---

QC APPVL: ---

MKT APPVL: ---

PROD FAM: ---

PROJECT #: ---

DOCUMENT TYPE: Scales

REL LEVEL: AutoCAD

BURNDY PRODUCTS

DRAWING NO	REV
SC023464-01	B
SHEET 1 OF 1	