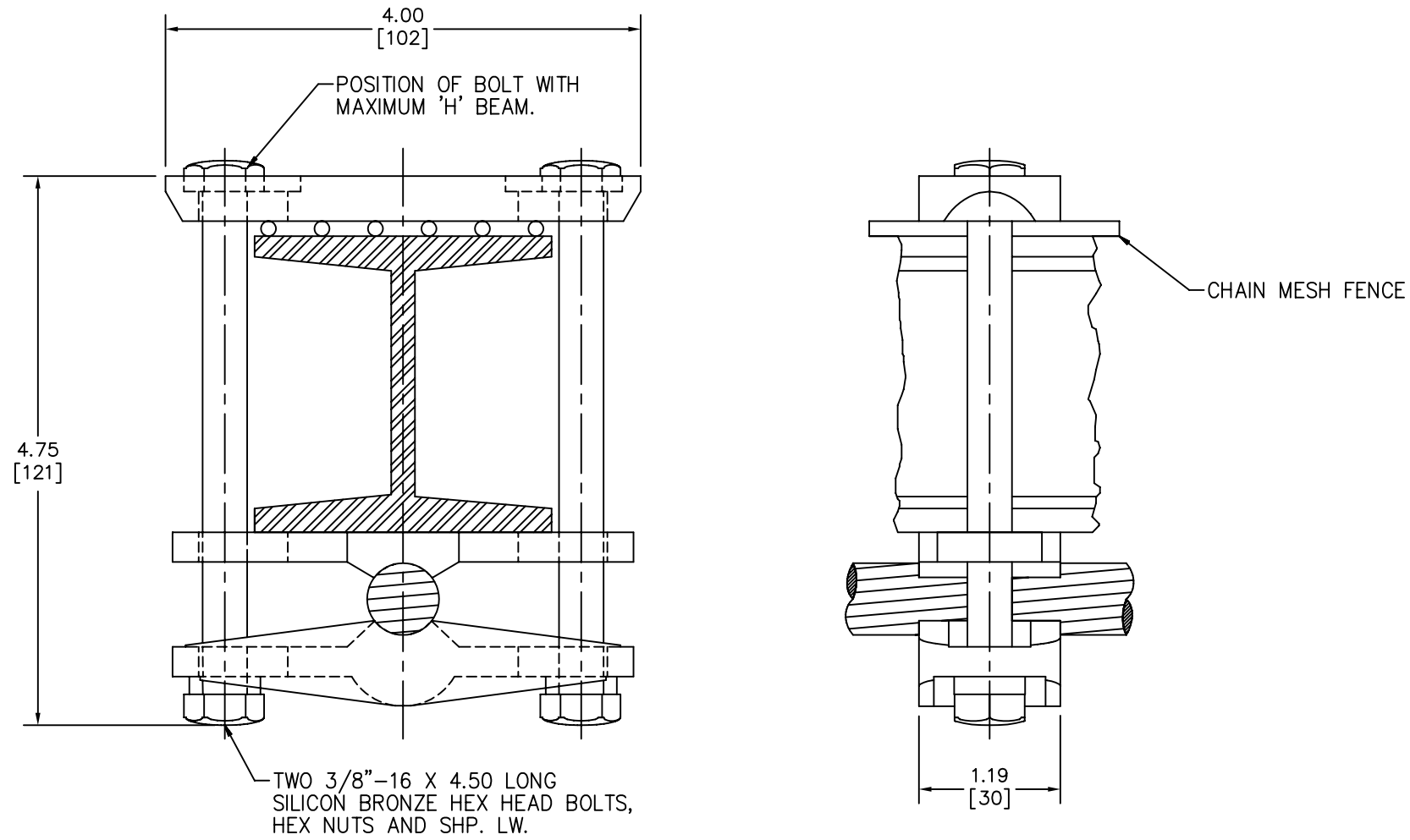


DRAWING NO.
SC29935

'H' BEAM		COPPER CONDUCTOR RANGE ACCOMMODATED				CAT NO	TORQUE Lb*in [N*m]
MIN	MAX	AWG		METRIC WIRE SIZE			
MIN	MAX	MIN	MAX	MIN	MAX		
1 7/8 x 1 7/8 [48mm x 48mm]	2 1/2 x 2 1/2 [64mm x 64mm]	#4 SOL (.204 DIA)	2/0 STR (.418 DIA)	25mm ² STR[6.48]	70mm ² STR[10.9]	GA25H26	240
		2/0 SOL (.365 DIA)	250 kcmil (.575 DIA)	70mm ² STR[10.9]	120mm ² STR[14.4]	GA25H29	[27]

REV.	DATE	DESCRIPTION	ECO	BY	C'K'D.
2	07/15/094	REDRAWN TO CAD AND ADDED METRIC DIM. ALSO ADDED SIGNATURES.	1556	RDP	KFM



NOTES:

1. MATERIAL: CAST COPPER ALLOY.
2. DIMENSIONS IN BRACKETS [] ARE IN MILLIMETERS ROUNDED OFF TO THE NEAREST MILLIMETER, UNLESS OTHERWISE NOTED, AND ARE FOR REFERENCE ONLY.

TO ORDER BURNDY® PRODUCTS CALL
 UNITED STATES:
 1-800-346-4175 (LONDONDERRY, NH)
 CANADA:
 1-800-361-6975 (QUEBEC)
 1-800-387-6487 (ALL OTHER PROVINCES)
 FOR PRODUCT INFO: <http://www.burndy.com>

GROUND CLAMP FOR 'H' BEAM	
ITEM NO: ---	
CAT NO: GA25H26 & GA25H29	
SCALE: 1/1	
DRAWN BY: CAR 02/03/54	
CHECKER: GKK 08/16/54	
DSN APPVL: G. DITROIA 11/11/93	
MFG APPVL: ---	
QC APPVL: A. LLOYD 12/03/93	
MKT APPVL: K. WOO 11/11/93	
PROD FAM: ---	
PROJECT #: ---	SIZE
DOCUMENT TYPE: Sales	D
REL LEVEL: AutoCAD	
DRAWING NO	REV
SC29935	2
SHEET 1 OF 1	

