

CABLE A	CABLE AA	CAT. NO.	FIG.	L	H	J	W	TORQUE (in-lb)	WRENCH SIZE (CROSS FLATS)	CABLE A	CABLE AA	CAT. NO.	FIG.	L	H	J	W	TORQUE (in-lb)	WRENCH SIZE (CROSS FLATS)
2CA	20A	CP2CA2CA	1	3.25	2.32	1/2-13	1.56	300	3/4	31A	25A	CP31A25A							
1CA	20A	CP1CA2CA	1	3.25	2.32	1/2-13	1.56	300	3/4	31A	26A	CP31A26A							
1CA	10A	CP1CA1CA	1	3.25	2.32	1/2-13	1.56	300	3/4	31A	27A	CP31A27A	2	4.50	2.82	1/2-13	2.31	300	3/4
25A	20A	CP25A2CA	1	3.25	2.32	1/2-13	1.56	300	3/4	31A	28A	CP31A28A	2	4.50	2.82	1/2-13	2.31	300	3/4
25A	10A	CP25A1CA	1	3.25	2.32	1/2-13	1.56	300	3/4	31A	29A	CP31A29A	2	4.50	2.82	1/2-13	2.31	300	3/4
26A	25A	CP25A25A	1	3.25	2.32	1/2-13	1.56	300	3/4	31A	30A	CP31A30A	2	4.50	2.82	1/2-13	2.31	300	3/4
26A	20A	CP26A2CA	1	3.25	2.50	1/2-13	1.56	300	3/4	31A	31A	CP31A31A	2	4.50	2.82	1/2-13	2.31	300	3/4
26A	10A	CP26A1CA								32A	25A	CP32A25A							
26A	25A	CP26A25A	1	4.00	2.82	1/2-13	2.09	300	3/4	32A	26A	CP32A26A							
26A	26A	CP26A2CA	1	4.00	2.82	1/2-13	2.09	300	3/4	32A	27A	CP32A27A							
27A	10A	CP27A1CA	1							32A	28A	CP32A28A							
27A	25A	CP27A25A	1	4.00	2.82	1/2-13	2.09	300	3/4	32A	29A	CP32A29A	2	5.00	3.07	1/2-13	2.53	300	3/4
27A	26A	CP27A26A	1	4.00	2.82	1/2-13	2.09	300	3/4	32A	30A	CP32A30A	2	5.00	3.07	1/2-13	2.53	300	3/4
27A	27A	CP27A27A	1	4.00	2.82	1/2-13	2.09	300	3/4	32A	31A	CP32A31A	2	5.00	3.07	1/2-13	2.53	300	3/4
28A	10A	CP28A1CA								32A	32A	CP32A32A	2	5.00	3.07	1/2-13	2.53	300	3/4
28A	25A	CP26A25A	1	4.00	2.82	1/2-13	2.09	300	3/4	34A	25A	CP34A25A							
28A	26A	CP28A26A	1	4.00	2.82	1/2-13	2.09	300	3/4	34A	26A	CP34A26A							
28A	27A	CP28A27A	1	4.00	2.82	1/2-13	2.09	300	3/4	34A	27A	CP34A27A							
28A	28A	CP28A28A	1	4.00	2.82	1/2-13	2.09	300	3/4	34A	28A	CP34A28A							
29A	10A	CP29A1CA								34A	29A	CP34A29A							
29A	25A	CP29A26A	1	4.00	2.82	1/2-13	2.09	300	3/4	34A	30A	CP34A30A	2	5.00	3.07	1/2-13	2.53	300	3/4
29A	26A	CP29A26A	1	4.00	2.82	1/2-13	2.09	300	3/4	34A	31A	CP34A31A	2	5.00	3.07	1/2-13	2.53	300	3/4
29A	27A	CP29A27A	1	4.00	2.82	1/2-13	2.09	300	3/4	34A	32A	CP34A32A	2	5.00	3.07	1/2-13	2.53	300	3/4
29A	28A	CP29A28A	1	4.00	2.82	1/2-13	2.09	300	3/4	34A	34A	CP34A34A	2	5.00	3.07	1/2-13	2.53	300	3/4
29A	29A	CP29A29A	1	4.00	2.82	1/2-13	2.09	300	3/4	36A	25A	CP36A25A							
										36A	26A	CP36A26A							
30A	25A	CP30A25A								36A	27A	CP36A27A							
30A	26A	CP30A26A								36A	28A	CP36A28A							
30A	27A	CP30A27A	2	4.50	2.82	1/2-13	2.31	300	3/4	36A	29A	CP36A29A	2	5.00	3.07	1/2-13	2.62	300	3/4
30A	28A	CP30A28A	2	4.50	2.82	1/2-13	2.31	300	3/4	36A	30A	CP36A30A	2	5.00	3.07	1/2-13	2.62	300	3/4
30A	29A	CP30A29A	2	4.50	2.82	1/2-13	2.31	300	3/4	36A	31A	CP36A31A	2	5.00	3.07	1/2-13	2.62	300	3/4
30A	30A	CP30A30A	2	4.50	2.82	1/2-13	2.31	300	3/4	36A	32A	CP36A32A	2	5.00	3.07	1/2-13	2.62	300	3/4
										36A	34A	CP36A34A	2	5.25	3.32	1/2-13	3.00	300	3/4
										36A	36A	CP36A36A	2	5.25	3.32	1/2-13	3.00	300	3/4
										30A	5CA	CP30A5CA	1	3.25	2.56	1/2-13	1.91	300	3/4
										30A	2CA	CP30A2CA	1	3.25	2.56	1/2-13	1.91	300	3/4
										30A	1CA	CP301CA	1	3.25	2.56	1/2-13	1.91	300	3/4
										31A	6CA	CP31A6CA	1	3.25	2.56	1/2-13	1.91	300	3/4
										31A	2CA	CP31A2CA	1	3.25	2.56	1/2-13	1.91	300	3/4
										31A	1CA	CP31A1CA	1	3.25	2.56	1/2-13	1.91	300	3/4
										37A	26A	CP37A26A							
										37A	27A	CP37A27A							
										37A	28A	CP37A28A							
										37A	29A	CP37A29A							
										37A	30A	CP37A30A							
										37A	31A	CP37A31A							
										37A	32A	CP37A32A	2	5.00	3.07	1/2-13	2.62	300	3/4
										37A	34A	CP37A34A	2	5.25	3.32	1/2-13	3.00	300	3/4
										37A	36A	CP37A36A	2	5.25	3.32	1/2-13	3.00	300	3/4
										37A	37A	CP37A37A	2	5.25	3.32	1/2-13	3.00	300	3/4

REV.	DATE	DESCRIPTION	ECO	BY	C'K'D.
D	09/08/2014	UPDATED AS PER MU	37634	SV	MB

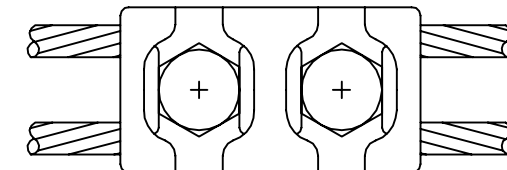


FIG. 1

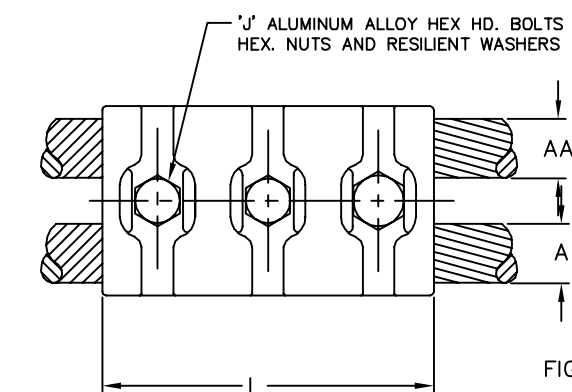
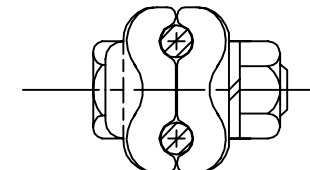
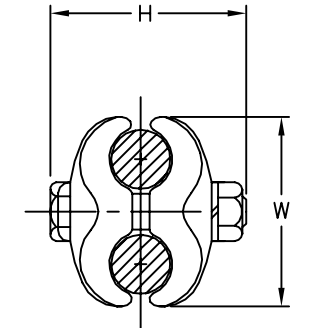


FIG. 2



CATALOG NUMBER KEY	CONDUCTOR			
	ALUM. OR CU.		A.C.S.R	
2CA	#1	SOL. STR.	#3	(6-1)
	#2	SOL. STR.	#2	(6-1)
1CA	1/0	SOL. STR.	#2	(7-1)
	#1	SOL. STR.	#2	(7-1)
25A	2/0	SOL. STR.	#1	(6-1)
	1/0	SOL. STR.	80	(8-1)
26A	3/0	SOL. STR.	1/0	(6-1)
	2/0	SOL. STR.		
27A	4/0	SOL. STR.	2/0	(6-1)
	3/0	SOL. STR.	101.8	(12-7)
28A	4/0	STR.	110.8	(12-7)
			134.6	(12-7)
29A	250	MCM	4/0	(6-1)
	266.8	MCM	169	(12-7)
30A			203	(8-7)
	300	MCM	176.9	(12-7)
6CA			271.578	(24-7)
			190.8	(12-7)
			266.8	(6-7)
			266.8	(26-7)

CATALOG NUMBER KEY	CONDUCTOR			
	ALUM. OR CU.		A.C.S.R	
31A	336.4		211.3	(12-7)
	350		300	(26-7)
32A			336.4	(18-1)
			300	(30-7)
34A	397.5		203.2	(16-19)
	400		336.4	(26-7)
36A			387.5	(18-1)
			400	(30-7)
37A	450		397.5	(26-7)
	477		397.5	(30-7)
38A	477		477	(18-1)
	500			
39A	550		477	(24-7)
	556.5		477	(26-7)
40A	556.5		477	(30-7)
	600			
41A			500	(30-7)
			556.5	(24-7)
42A			556.5	(26-7)
			636	(36-1)
43A			556.5	(30-7)
			605	(24-7)

NOTES:

1. THE DIMENSIONS ILLUSTRATED ARE MAX. DIMENSIONS. FOR ANY SPECIFIC LARGE QUANTITY REQUIREMENT THE MANUFACTURER RETAINS THE RIGHT TO DESIGN & ADOPT A MORE COMPACT DESIGN.
2. SMEAR PENETROX™ 'A' ON BOTH CONTACT GROOVES AND ON THE ALUM. CONDUCTORS. SCRATCH BRUSH AFTER APPLYING THE COMPOUND. PENETROX™ 'A' MAY BE PURCHASED FROM BURNDY.

MATERIAL: CAST ALUMINUM ALLOY.

TO ORDER BURNDY® PRODUCTS CALL
 UNITED STATES:
 1-800-346-4175 (LONDONDERRY, NH)
 CANADA:
 1-800-361-6975 (QUEBEC)
 1-800-387-6487 (ALL OTHER PROVINCES)
 FOR PRODUCT INFO: <http://www.burndy.com>

PARALLEL CLAMP

ITEM NO: --
 CAT NO: CP-A-A GENERAL
 SCALE: 1/1
 DRAWN BY: R. BOISVERT 04/16/10
 CHECKER: W. ZAHLMAN 04/19/10
 DSN APPVL: W. ZAHLMAN 03/18/10
 MFG APPVL: T. WAWRZYNIAK 03/19/10
 QC APPVL: J. HILLMAN 03/24/10

MKT APPVL: --	DRAWING NO	REV
PROD FAM: --	SD28518	D
PROJECT #: --	SHEET 1 OF 2	
DOCUMENT TYPE: Sales		
REL LEVEL: AutoCAD		

CABLE A	CABLE AA	CAT. NO.	FIG.	L	H	J	W	TORQUE (in-lb)	WRENCH SIZE (CROSS FLATS)
39A	26A	CP39A26A							
39A	27A	CP39A27A							
39A	28A	CP39A28A							
39A	29A	CP39A29A							
39A	30A	CP39A30A							
39A	31A	CP39A31A							
39A	32A	CP39A32A	2	5.25	3.36	1/2	3.00	300	3/4
39A	34A	CP39A34A	2	5.25	3.32	1/2	3.00	300	3/4
39A	36A	CP39A36A	2	5.25	3.32	1/2	3.00	300	3/4
39A	37A	CP39A37A	2	5.25	3.32	1/2	3.00	300	3/4
39A	39A	CP39A39A	2	5.25	3.32	1/2	3.00	300	3/4
39A	39A	CP39A39ASS	2	2.25	3.32	1/2	3.00	480	3/4
41A	27A	CP41A27A							
41A	28A	CP41A28A							
41A	29A	CP41A29A	2	6.00	3.90	5/8	3.41	480	15/16
41A	30A	CP41A30A							
41A	31A	CP41A31A							
41A	32A	CP41A32A							
41A	34A	CP41A34A							
41A	36A	CP41A36A							
41A	37A	CP41A37A							
41A	39A	CP41A39A	2	6.00	3.90	5/8	3.41	480	15/16
41A	41A	CP41A41A	2	6.00	3.90	5/8	3.41	480	15/16
44A	28A	CP44A28A							
44A	29A	CP44A29A							
44A	30A	CP44A30A							
44A	31A	CP44A31A							
44A	32A	CP44A32A							
44A	34A	CP44A34A							
44A	36A	CP44A36A							
44A	37A	CP44A37A							
44A	39A	CP44A39A	2	6.00	3.90	5/8	3.41	480	15/16
44A	41A	CP44A41A	2	6.00	3.90	5/8	3.41	480	15/16
44A	44A	CP44A44A	2	6.00	3.90	5/8	3.41	480	15/16
445A	28A	CP445A28A							
445A	29A	CP445A29A							
445A	30A	CP445A30A							
445A	31A	CP445A31A							
445A	32A	CP445A32A							
445A	34A	CP445A34A							
445A	36A	CP445A36A							
445A	37A	CP445A37A							
445A	39A	CP445A39A							
445A	41A	CP445A41A							
445A	44A	CP445A44A							
445A	445A	CP445A445A	2	6.00	4.90	5/8	4.09	480	15/16

CABLE A	CABLE AA	CAT. NO.	FIG.	L	H	J	W	TORQUE (in-lb)	WRENCH SIZE (CROSS FLATS)
45A	28A	CP45A28A							
45A	29A	CP45A29A							
45A	30A	CP45A30A							
45A	31A	CP45A31A							
45A	32A	CP45A32A	2	6.00	3.56	1/2-13	3.31	300	3/4
45A	34A	CP45A34A							
45A	36A	CP45A36A							
45A	37A	CP45A37A							
45A	39A	CP45A39A							
45A	41A	CP45A41A							
45A	44A	CP45A44A							
45A	445A	CP45A445A	2	6.00	4.90	5/8-11	4.09	480	15/16
45A	45A	CP45A45A	2	6.00	4.90	5/8-11	4.09	480	15/16
46A	29A	CP46A29A							
46A	30A	CP46A30A							
46A	31A	CP46A31A							
46A	32A	CP46A32A							
46A	34A	CP46A34A							
46A	36A	CP46A36A							
46A	37A	CP46A37A							
46A	39A	CP46A39A							
46A	41A	CP46A41A							
46A	44A	CP46A44A	2	6.00	3.90	5/8-11	3.76	480	15/16
46A	445A	CP46A445A	2	7.25	4.90	3/4-10	4.69	650	1-1/16
46A	45A	CP46A45A	2	7.25	4.90	3/4-10	4.69	650	1-1/16
46A	46A	CP46A46A	2	7.25	4.90	3/4-10	4.69	650	1-1/16
48A	28A	CP48A28A	2	6.00	3.34	3/4-10	3.06	650	1-1/16
48A	31A	CP48A31A							
48A	32A	CP48A32A							
48A	34A	CP48A34A							
48A	36A	CP48A36A							
48A	37A	CP48A37A	2	6.00	4.90	3/4-10	3.85	650	1-1/16
48A	39A	CP48A39A							
48A	41A	CP48A41A	2	7.25	4.90	3/4-10	4.69	650	1-1/16
48A	44A	CP48A44A							
48A	445A	CP48A445A	2	7.25	4.90	3/4-10	4.69	650	1-1/16
48A	45A	CP48A45A	2	7.25	4.90	3/4-10	4.69	650	1-1/16
48A	46A	CP48A46A	2	7.25	4.90	3/4-10	4.69	650	1-1/16
48A	48A	CP48A48A	2	7.25	4.90	3/4-10	4.69	650	1-1/16
486A	486A	CP486A486A	2	7.25	5.00	3/4-10	5.32	650	1-1/16
486A	48A	CP486A48A	2	7.25	5.00	3/4	5.00	650	1-1/16

CATALOG NUMBER KEY	CONDUCTOR RANGE		CATALOG NUMBER KEY	CONDUCTOR RANGE	
	AL. OR CU.	A.C.S.R.		AL. OR CU.	A.C.S.R.
39A	700	605 (26-7)	45A	1200	1033.5 (54-7)
	715.5	636 (24-7)		1250	
	715.5	636 (26-7)		1272	
	750	605 (30-19)		1300	
41A	795	715.5 (54-7)	46A	1400	1272 (54-19)
	795	715.5 (26-7)		1431	
	800	715.5 (30-19)		1500	
	850			1590	
	874.5			1590	
44A	900	795 (54-7)	48A	1700	1590 (54-19)
	950	795 (26-7)		1750	
	954	795 (30-18)		2000	
	954				
	1000	874.5 (54-7)			
445A	1033.5	900 (54-7)	486A	2250	2205 (72-19)
	1033.5	954 (54-7)		2332.8 (72-19)	
	1100			2156 (84-19)	
	1112				

REV.	DATE	DESCRIPTION	ECO	BY	C'K'D.
D	09/08/2014	UPDATED AS PER MU	37634	SV	MB

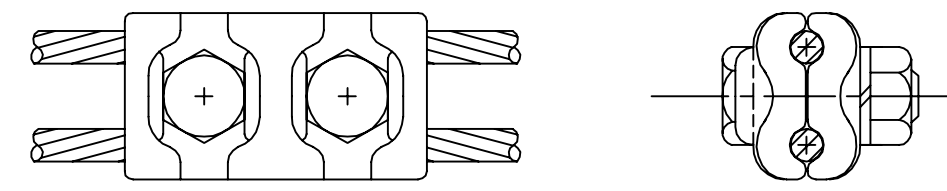


FIG. 1

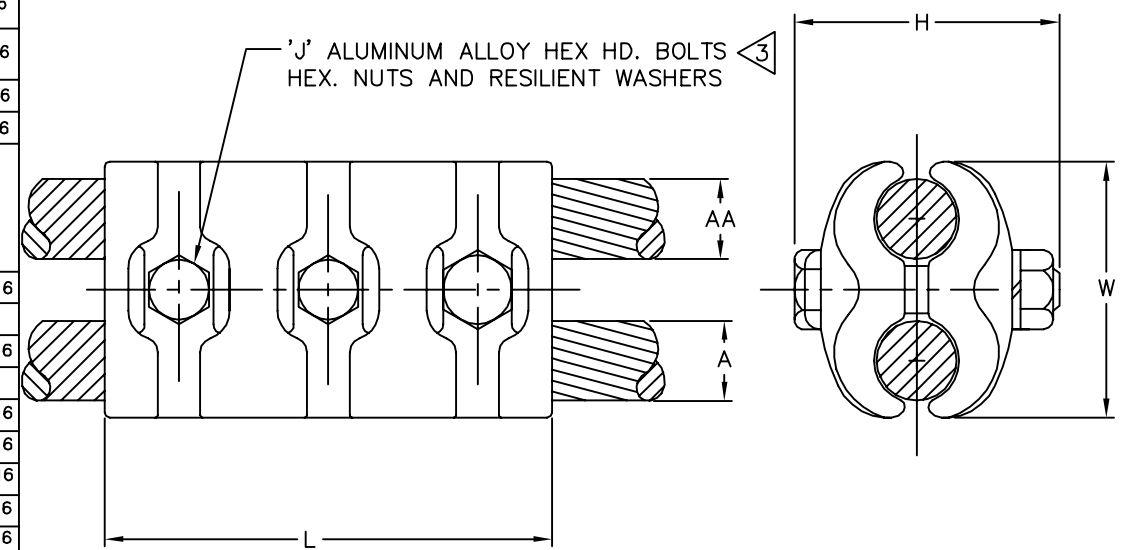


FIG. 2

REF. 30024003

NOTES:

1. THE DIMENSIONS ILLUSTRATED ARE MAX. DIMENSIONS. FOR ANY SPECIFIC LARGE QUANTITY REQUIREMENT THE MANUFACTURER RETAINS THE RIGHT TO DESIGN & ADOPT A MORE COMPACT DESIGN.
2. SMEAR PENETROX™ 'A' ON BOTH CONTACT GROOVES AND ON THE ALUM. CONDUCTORS. SCRATCH BRUSH AFTER APPLYING THE COMPOUND. PENETROX™ 'A' MAY BE PURCHASED FROM BURNDY.
3. HARDWARE IS STAINLESS STEEL, REF. FD33299.
4. MATERIAL: CAST ALUMINUM ALLOY.
5. USE CP39A32A3 THAT IS IDENTICAL TO CP39A32A.

TO ORDER BURNDY® PRODUCTS CALL
 UNITED STATES:
 1-800-346-4175 (LONDONDERRY, NH)
 CANADA:
 1-800-361-6975 (QUEBEC)
 1-800-387-6487 (ALL OTHER PROVINCES)
 FOR PRODUCT INFO: <http://www.burndy.com>

PARALLEL CLAMP	
ITEM NO: --	
CAT NO: CP-A-A GENERAL	
SCALE: 1/1	
DRAWN BY: R. BOISVERT 04/16/10	
CHECKER: W. ZAHLMAN 04/19/10	
DSN APPVL: W. ZAHLMAN 03/18/10	
MFG APPVL: T. WAWRZYNIAK 03/19/10	
QC APPVL: J. HILLMAN 03/24/10	
MKT APPVL: --	
PROJ FAM: --	
PROJECT #: --	
DOCUMENT TYPE: Sales	
REL LEVEL: AutoCAD	
DRAWING NO	REV
SD28518	D
SHEET 2 OF 2	

