

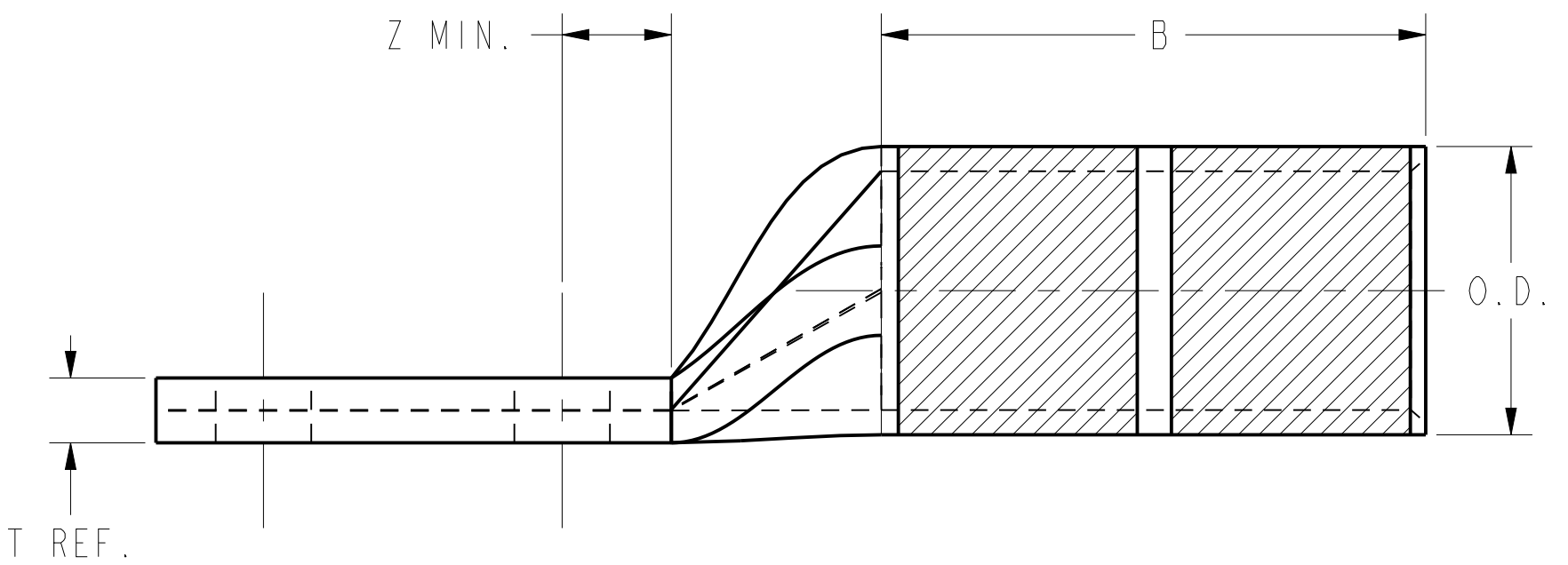
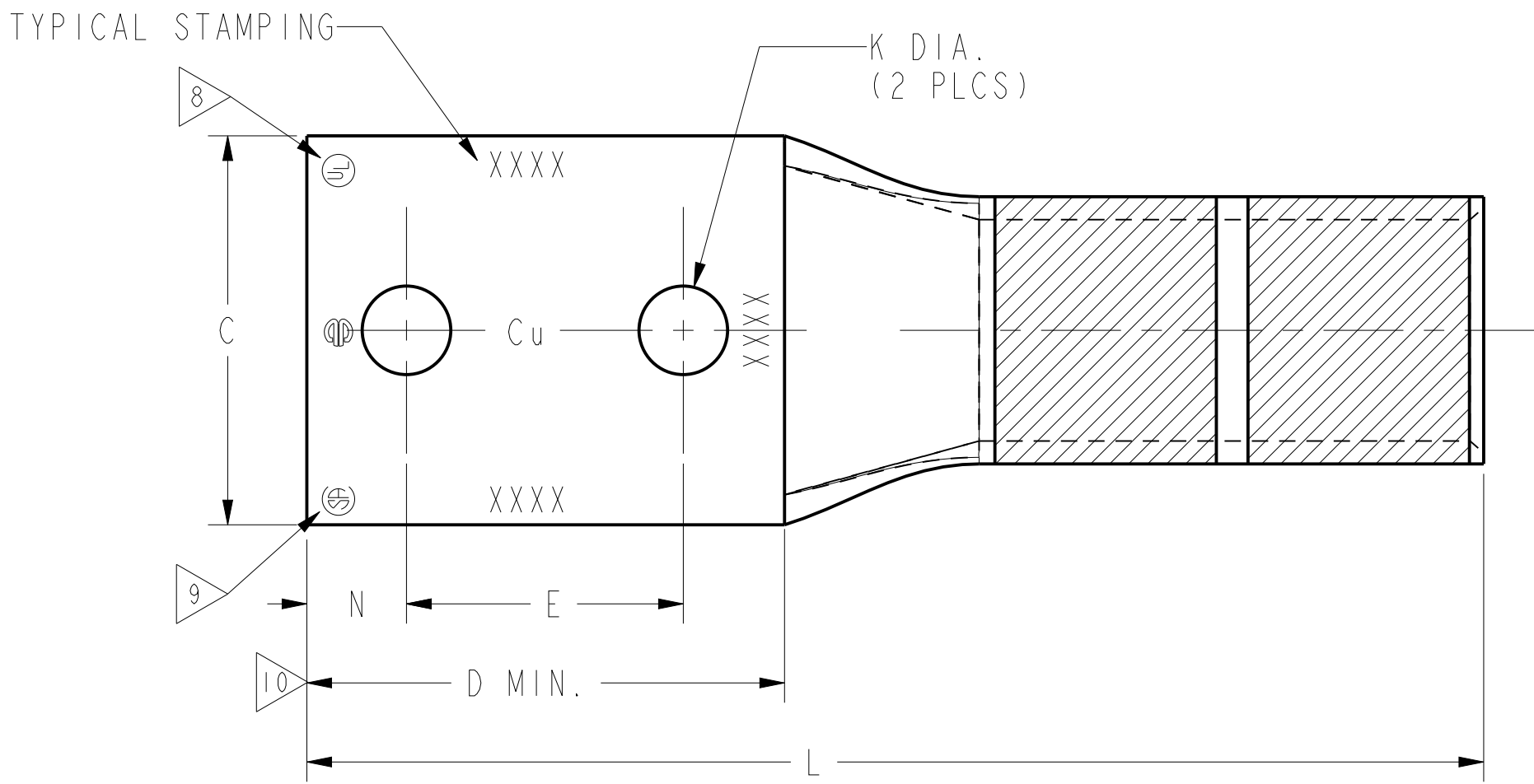
REV	DATE	DESCRIPTION	ECO	BY	CHK.
D	2018-03-23 00:00:00 EDT	DRAWING UPDATED AS PER MARKUP	48772	YR	VS

CATALOG NUMBER	STRANDED COPPER CONDUCTOR ACCOMMODATED			BOLT SIZE	METRIC BOLT SIZE	DIMENSIONS								
	CODE (AWG)	NAVY	METRIC SIZE (CLASS 2)			B	C	E	K DIA.	L	N	O.D.	T REF.	Z MIN.
YA452N	1250 kcmil	-----	-----	1/2	M12	↑	2.46 [62]	↑	↑	7.44 [189]	↑	1.69 [43]	.38 [10]	↑
YA4532N	1300 kcmil	-----	-----	1/2	M12	3.19 [81]	2.53 [64]	1.75 [44]	.56 [14]	7.48 [190]	.63 [16]	1.74 [44]	.39 [10]	.64 [16]
YA462N	1500 kcmil	-----	800mm ² STR[37.6]	1/2	M12	↓	2.69 [68]	↓	↓	7.55 [192]	↓	1.84 [47]	.40 [10]	↓

INSTALLATION TOOLING (# CRIMPS)																
CATALOG NO.	COLOR CODE	DIE INFORMATION			MECHANICAL				HYDRAULIC					DIELESS (# CRIMPS)	WIRE STRIP LENGTH	
		DIE INDEX	TYPE	YIMRTC	OUR840	MD6 MD7	MD6--R2 BAT500	MD7-34R	Y34A Y34B Y34BH	Y35, Y39 Y750, BAT35 BAT750	Y46	Y45	Y48B			Y60BHU
YA452N	YELLOW	29	YELLOW DIE SET NEST INDENTOR	----	----	----	----	----	----	----	P45RT(6)	S45RT(6)	C45R(3)	L45RT(3)	----	3-1/4"
YA532N	ORANGE	30	ORANGE DIE SET NEST INDENTOR	----	----	----	----	----	----	----	P45D(3) P44PR	----	C45D(3) Y48PR	----		
YA462N	GREEN	31	GREEN DIE SET NEST INDENTOR	----	----	----	----	----	----	----	P46RT(6)	S46RT(6)	C46R(3)	L46RT(3)	----	3-1/4"
											P44PR(2)	----	C46D(3) Y48PR	----		

TOLERANCE BLOCK

CONNECTOR SIZE	TOLERANCES						
	B	C	E	K DIA.	L	N	O.D.
-6C THRU -25	±.06	±.04	±.02	±.02	±.09	±.03	±.01
-26 THRU -34	±.08	±.04	±.02	±.02	±.12	±.03	±.01
-35 AND UP	±.09	±.06	±.02	±.02	±.15	±.06	±.01



NOTES:

- MATERIAL: COPPER TUBING
- FINISH: TIN PLATED. FOR UNPLATED VERSION, ADD SUFFIX "BR" TO CATALOG NUMBER EX. YA452NBR.
- CATALOG # PT6515 ADAPTOR IS REQUIRED TO USE "U" DIES IN Y45 SERIES TOOLS.
- CATALOG # PUADP-1 ADAPTOR IS REQUIRED TO USE "U" DIES IN Y46 SERIES TOOLS.
- PERMANENT DIE IN TOOLING.
- DIMENSIONS IN BRACKETS [] ARE IN MILLIMETERS ROUNDED OFF TO THE NEAREST MILLIMETER, UNLESS OTHERWISE NOTED, AND ARE FOR REFERENCE ONLY.
- FOR USE BY CUSTOMERS THAT HAVE THIS HYPRESS™ NO NEW Y34A HYPRESSES™ ARE BEING PROCESSED. Y34A USES A--D TYPE NEST DIES.
- CONNECTORS ARE UL LISTED; UNDRILLED VERSIONS ARE NOT UL LISTED.
- CONNECTORS ARE CSA CERTIFIED; UNDRILLED VERSIONS ARE NOT CSA CERTIFIED.
- FOR UNDRILLED VERSIONS ADD SUFFIX "-U" TO END OF CATALOG NUMBER. FOR UNDRILLED VERSIONS, USE D MIN. = N MAX. + E MIN. + Z MIN.
- "X", "W-RT", "W-VT", "U", & "L" DIE SETS ARE COLOR CODED. "A", "B", AND "C" DIES ARE NOT COLOR CODED. NESTS AND INDENTOR TYPE ARE NOT COLOR CODED.
- INDENTOR ONLY - NO NEST REQUIRED.
- ADD SUFFIX "DT" OR "DTS" TO ORDER LUGS WITH CRIMP BARREL SEALED AIR TIGHT INSIDE THE TRANSITION.

REFERENCE: SE209513

TO ORDER BURNDY® PRODUCTS CALL		HYLUG™	
UNITED STATES 1-800-346-4175 (LONDONDERRY, NH)		ITEM NO: N/A	
CANADA: 1-800-361-6975 (QUEBEC) 1-800-387-6487 (ALL OTHER PROVINCES)		CAT. NO: YA--2N (SEE TABLE)	
FOR PRODUCT INFO: http://www.burndy.com		DRAWN BY: J MICHAUD 11/18/94	
		CHECKER: D FILLION 11/18/94	
		DSN APPVL: C PALAGI 10/24/94	
		MFG APPVL: -- --	
		QA APPVL: C ACKERMAN 11/17/94	
		MKT APPVL: T NELSON 11/10/94	
		SCALE: 1:1	
		PROD FAM: CM&R COMPRESSION	
		DRAWING NO	
		PROJECT #: --	
		SIZE	
		DOCUMENT TYPE: Sales	
		SD031189	
		REL LEVEL: Released	
		D	
		SHEET 7 OF 10	

REV: PEO200