

REV	DATE	DESCRIPTION	ECO	BY	CHK.
F	2018-03-23 00:00:00 EDT	DRAWING UPDATED AS PER MARKUP	48772	YR	VS

CATALOG NUMBER	STRANDED COPPER CONDUCTOR ACCOMMODATED			BOLT SIZE	METRIC BOLT SIZE	DIMENSIONS									
	CODE (AWG)	NAVY	METRIC SIZE (CLASS 2)			B	C	E	F	K DIA.	L	N	O.D.	T REF.	Z MIN.
YA444N	1000 kcmil	-----	500mm ² STR [28.3]	1/2	M12	3.00 [76]	↑	↑	↑	↑	7.14 [181]	↑	1.50 [38]	.23 [6]	↑
YA454N	1250 kcmil	-----	-----	1/2	M12	3.19 [81]	↑	↑	↑	↑	7.44 [189]	↑	1.69 [43]	.30 [8]	↑
YA464N	1500 kcmil	-----	800mm ² STR [37.6]	1/2	M12		↓	↓	↓	↓	7.55 [192]	↓	1.84 [47]	.34 [9]	↓

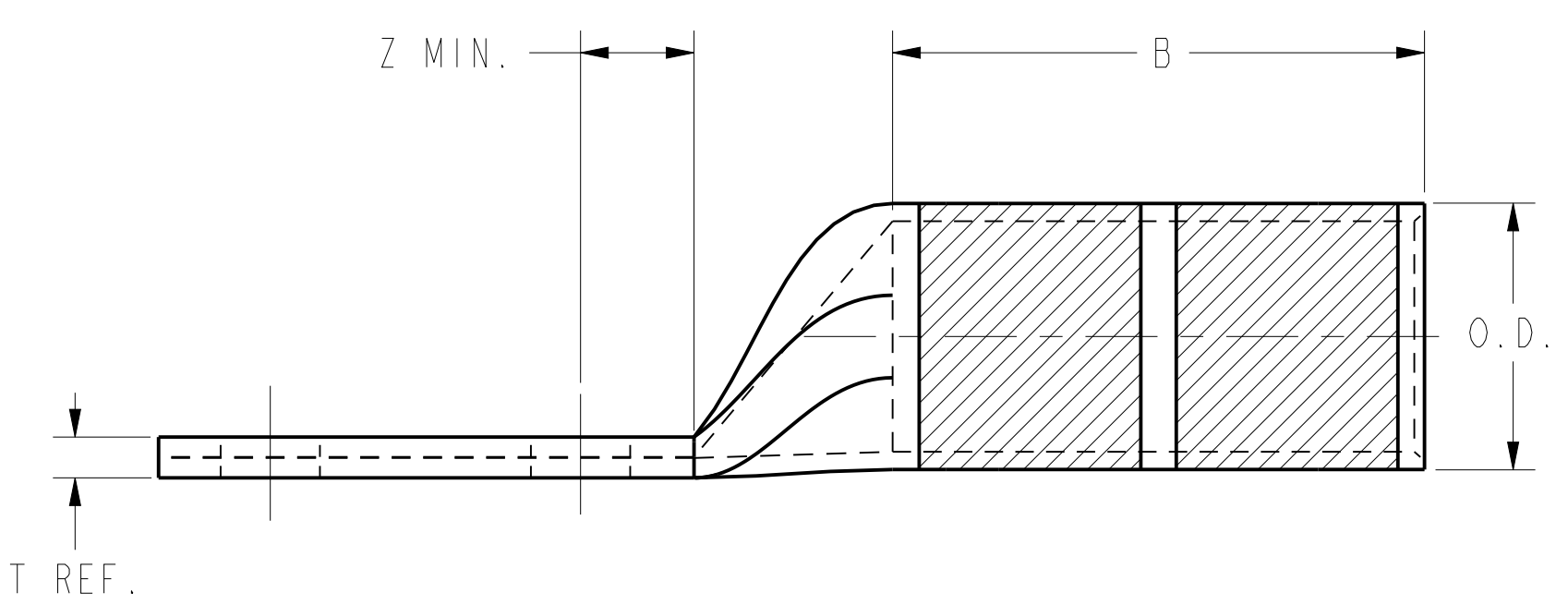
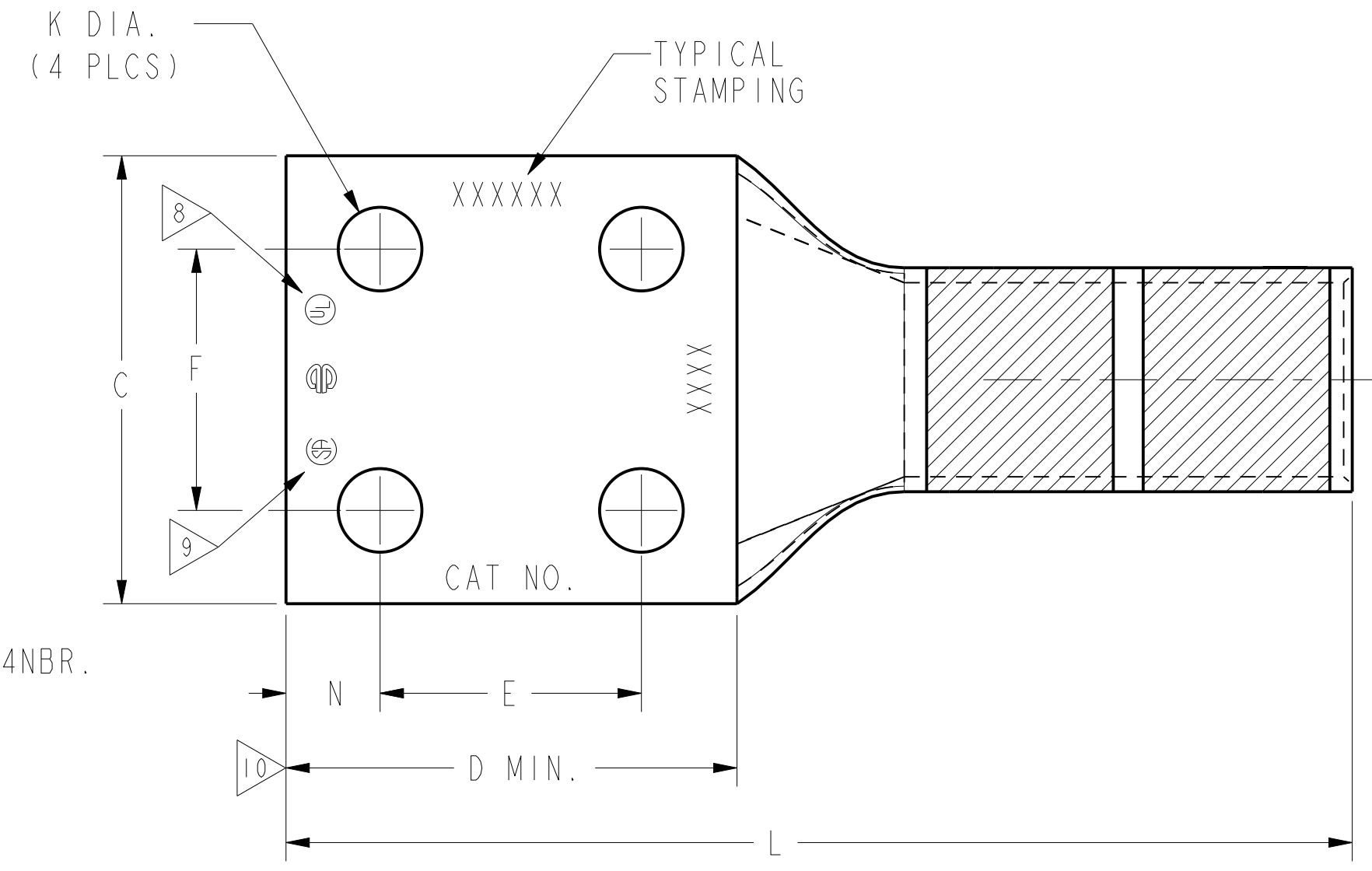
INSTALLATION TOOLING (# CRIMPS)																
CATALOG NO.	COLOR CODE	DIE INFORMATION			MECHANICAL				HYDRAULIC				DIELESS (# CRIMPS)	WIRE STRIP LENGTH		
		DIE INDEX	TYPE	YIMRTC	OUR840	MD6 MD7	MD6--2 BAT500	MD7-34R	Y34A Y34B Y34BH	Y35, Y39 Y750, BAT35 BAT750	Y46	Y45			Y48B	Y60BHU
YA444N	WHITE	27	WHITE DIE SET	-----	-----	-----	-----	-----	-----	-----	P44RT(4)	S44RT(4)	C44R(2)	L44RT(2)	HYDRAULIC: Y644(1) PAT644(1) Y81KFT-SERIES(4) Y4PC834-SRIES(4)	3-1/16"
			NEST	-----	-----	-----	-----	-----	-----	-----	P44D(2)	-----	C44D(2)	-----		
			INDENTOR	-----	-----	-----	-----	-----	-----	-----	P44PR	-----	Y48PR	-----		
YA454N	YELLOW	29	YELLOW DIE SET	-----	-----	-----	-----	-----	-----	-----	P45RT(6)	S45RT(6)	C45R(3)	L45RT(3)	-----	3-1/4"
			NEST	-----	-----	-----	-----	-----	-----	-----	-----	-----	C45D(3)	-----		
			INDENTOR	-----	-----	-----	-----	-----	-----	-----	-----	-----	Y48PR	-----		
YA464N	GREEN	31	GREEN DIE SET	-----	-----	-----	-----	-----	-----	-----	P46RT(6)	S46RT(6)	C46R(3)	L46RT(3)	-----	3-1/4"
			NEST	-----	-----	-----	-----	-----	-----	-----	-----	-----	C46D(3)	-----		
			INDENTOR	-----	-----	-----	-----	-----	-----	-----	-----	12 Y48PR(3)	-----	Y48PR		

TOLERANCE BLOCK

CONNECTOR SIZE	TOLERANCES							
	B	C	E	F	K DIA.	L	N	O.D.
-6C THRU -25	±.06	±.04	±.02	±.02	±.02	±.09	±.03	±.01
-26 THRU -34	±.08	±.04	±.02	±.02	±.02	±.12	±.03	±.01
-35 AND UP	±.09	±.06	±.02	±.02	±.02	±.15	±.06	±.01

NOTES:

- MATERIAL: COPPER TUBING
- FINISH: TIN PLATED. FOR UNPLATED VERSION, ADD SUFFIX "BR" TO CATALOG NUMBER EX. YA444NBR.
- CATALOG # PT6515 ADAPTOR IS REQUIRED TO USE "U" DIES IN Y45 SERIES TOOLS.
- CATALOG # PUADP-1 ADAPTOR IS REQUIRED TO USE "U" DIES IN Y46 SERIES TOOLS.
- PERMANENT DIE IN TOOLING.
- DIMENSIONS IN BRACKETS [] ARE IN MILLIMETERS ROUNDED OFF TO THE NEAREST MILLIMETER, UNLESS OTHERWISE NOTED, AND ARE FOR REFERENCE ONLY.
- FOR USE BY CUSTOMERS THAT HAVE THIS HYPRESS. NO NEW Y34A HYPRESS TOOLS ARE BEING PROCESSED. Y34A USES A--D TYPE NEST DIES.
- CONNECTORS ARE UL LISTED; UNDRILLED VERSIONS ARE NOT UL LISTED.
- CONNECTORS ARE CSA CERTIFIED; UNDRILLED VERSIONS ARE NOT CSA CERTIFIED.
- FOR UNDRILLED VERSIONS ADD SUFFIX "-U" TO END OF CATALOG NUMBER. FOR UNDRILLED VERSIONS, USE D MIN. = N MAX. + E MIN. + Z MIN.
- "X", "W-RT", "W-VT", "U", & "L" DIE SETS ARE COLOR CODED. "A", "B", AND "C" DIES ARE NOT COLOR CODED. NESTS AND INDENTOR TYPE ARE NOT COLOR CODED.
- INDENTOR ONLY - NO NEST REQUIRED.
- ADD SUFFIX "DT" OR "DTS" TO ORDER LUGS WITH CRIMP BARREL SEALED AIR TIGHT INSIDE THE TRANSITION.



REFERENCE: SE209513

TO ORDER BURNDY® PRODUCTS CALL		HYLUG™	
UNITED STATES 1-800-346-4175 (LONDONDERRY, NH)		ITEM NO: N/A	
CANADA: 1-800-361-6975 (QUEBEC) 1-800-387-6487 (ALL OTHER PROVINCES)		CAT. NO: YA--4N (SEE TABLE)	
FOR PRODUCT INFO: http://www.burndy.com		DRAWN BY: J MICHAUD 11/18/94	
		CHECKER: D FILLION 11/18/94	
		DSN APPVL: C PALAGI 10/24/94	
		MFG APPVL: --	
		QA APPVL: C ACKERMAN 11/17/94	
		MKT APPVL: T NELSON 11/10/94	
		SCALE: 1:1	
		PROJECT #: --	
		SIZE: D	
		DRAWING NO: SD031189	
		REVISION: F	
		SHEET 9 OF 10	

REV: PE0200