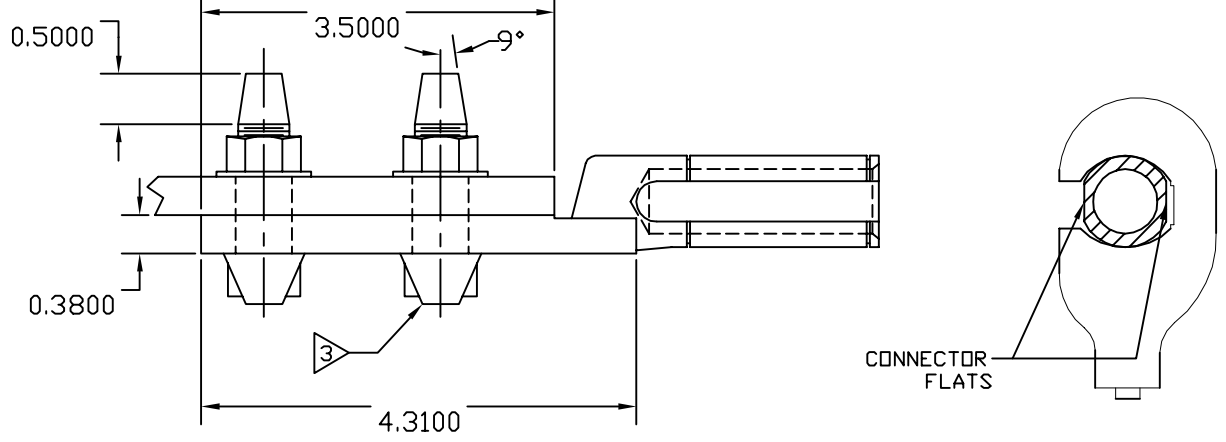
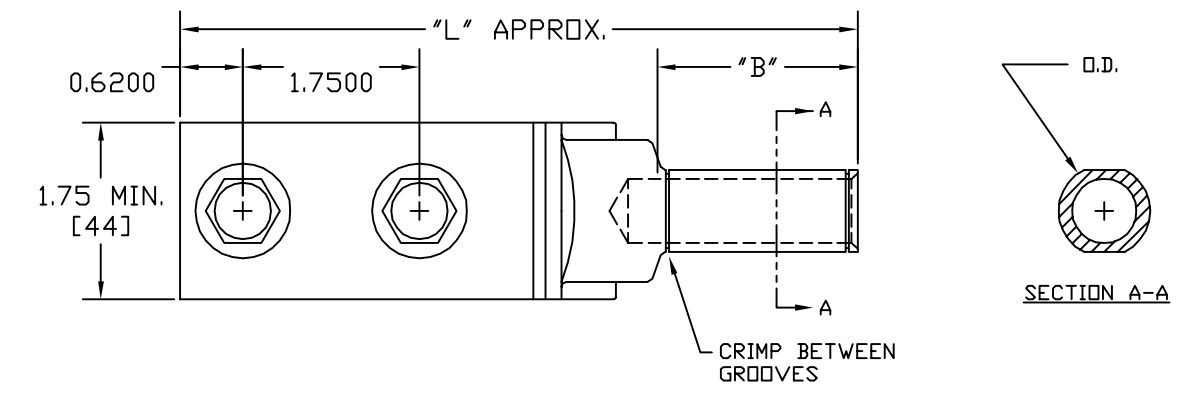


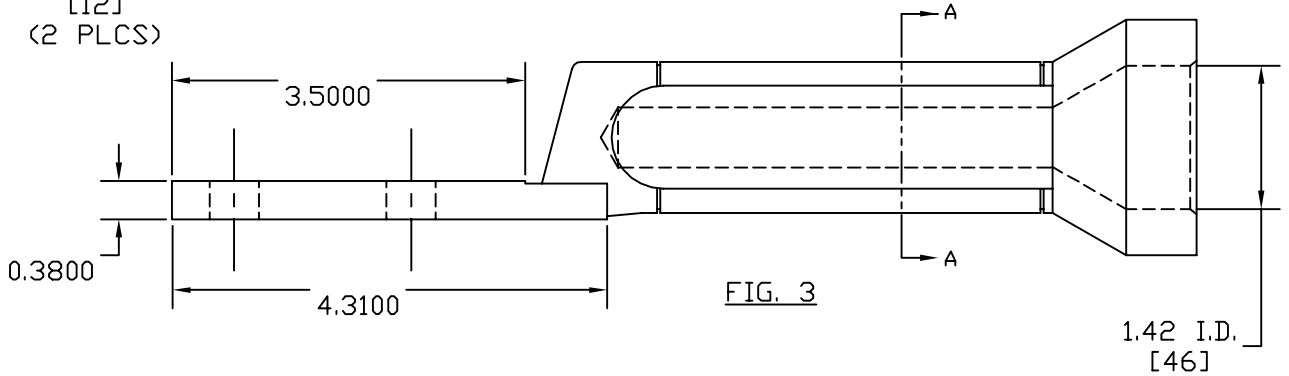
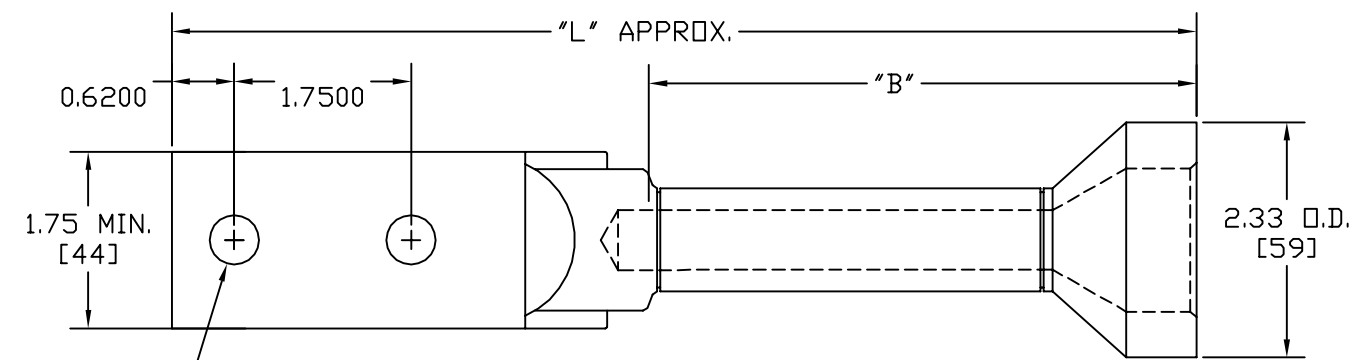
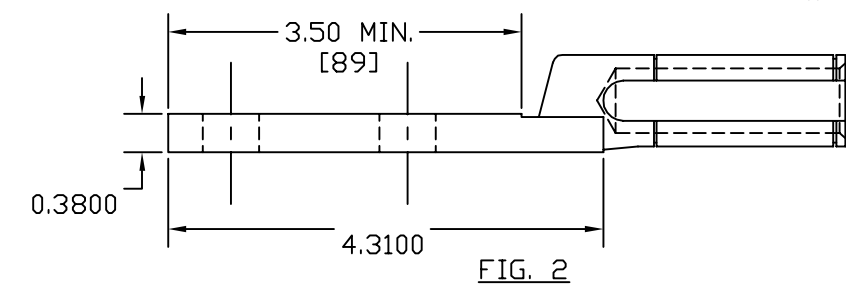
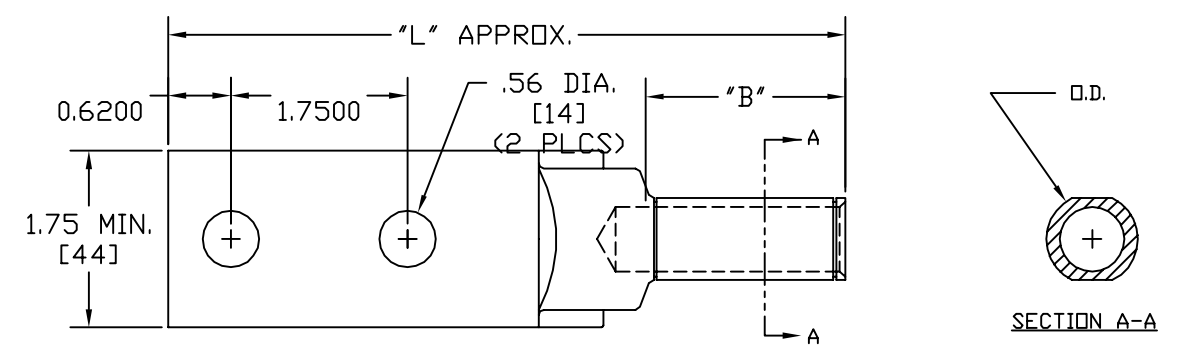
CATALOG NUMBER	CONDUCTOR RANGE									FIG. NO.	B	L	O.D.	TOOL INDEX	INSTALLATION DATA (OVERLAP CRIMPS)			REFERENCE DRAWING	
	ACSR			COPPER			ALUMINUM								BURNDY DIE SETS		EEI DIE NO.		
	AWG.	kcmil	STR.	AWG.	kcmil	STR.	AWG.	kcmil	STR.						Y35 HYPRESS™	Y45L HYPRESS™			
YKA2R-2G1	#2	(.316)	6-1	#2	(.292)	7	#2	(.292)	7	1	1.81 [46]	6.44 [164]	.625 [16]	243	U243	---	8A	PC52801	
YCAK2R-2G3																		FC52802	
YKA25R-2G1	1/0	(.398)	6-1	1/0	(.368)	7	1/0	(.368)	7	1	1.81 [46]	6.44 [164]	.625 [16]	249	U249	---	11A	PC52801	
YCAK25R-2G3																		FC52802	
YKA26R-2G1	--	--	--	2/0F	(.436)	7	2/0	(.414)	7	1	1.97 [50]	6.71 [170]	.906 [23]	249	U249	---	11A	PC52557	
YCAK26R-2G1				2/0	(.419)			(.419)										FC52559	
YKA27R-2G1	--	--	--	2/0G	(.463)	7	3/0	(.464)	7	1	1.97 [50]	6.71 [170]	.906 [23]	249	U249	---	11A	PC52557	
YCAK27R-2G1				3/0	(.470)			(.470)										FC52559	
YKA28R-2G1	--	--	--	4/0	(.522)	7	4/0	(.522)	7	1	4.00 [102]	8.75 [222]	.906 [23]	249	U249	---	11A	PC54294	
YCAK28R-2G4					4/0			(.528)										(.528)	FC54295
YKA271R-2G1	4/0 (COM.)	(.563)	6-1	4/0F	(.550)	12	4/0	(.552)	12	1	4.00 [102]	8.75 [222]	.906 [23]	249	U249	---	11A	PC54294	
YCAK271R-2G1		1/0		(.576)	6-1			4/0										(.574)	250
YKA321R-2G1	266.8	(.633)	6-7	250	(.600)	12	300	(.629)	37	1	3.06 [78]	7.91 [201]	1.24 [31]	655 DR 705	U655 DR U705	---	13A	PC52814	
YCAK321R-2G3					300			(.630)										19, 37	250
YKA33R-2G1	183.6	(.706)	18-12	--	--	--	--	--	--	1	3.06 [78]	7.91 [201]	1.24 [31]	655 DR 705	U655 DR U705	---	13A	PC52814	
YCAK33R-2G3																		203.2	(.714)
YCAK33R-2G3	336.4	(.721)	26-7	--	--	--	--	--	--	2	FC52815	FC52815							
YKA361R-2G1	397.5	(.783)	26-7	--	--	--	--	--	--	1	3.06 [78]	7.91 [201]	1.24 [31]	655 DR 705	U655 DR U705	---	13A	PC52814	
YCAK361R-2G1																		30-7	--
YKA39R-2G1	556.5	(.914)	24-7	--	--	--	--	--	--	1	4.00 [102]	8.96 [228]	1.50 [38]	608 DR 786	U608 DR U786	---	--	PC61860	
YCAK39R-2G1																		2	PC60810
YKA301R-2G1	--	--	--	--	--	--	336.4	(.666)	19	1	3.06 [78]	7.91 [201]	1.24 [31]	655 DR 705	U655 DR U705	---	13A	PC52814	
YCAK301R-2G1								2										FC52815	
YKA37R-2G3	477	(.846)	24-7	--	--	--	556.5	(.856,858)	19, 37	1	3.06 [78]	8.06 [205]	1.36 [35]	261 DR 318	U261 DR U318	---	15A	PC64819	
YCAK37R-2G3								26-7										--	556.5
YCAK37R-2G3	30-7	(.883)	30-7	--	--	--	COMPRESSTO	(.600)	--	2	FC68547								
YKA37R-2G4	--	--	--	535.5 FLEX	(.945 DIA.)	1325	--	--	--	3	4.0 [102]	10.16 [258]	1.50 [38]	261 DR 318	U261 DR U318	U608 DR U786	---	--	FC68547

REV.	DATE	DESCRIPTION	ECD	BY	C'K'D.
B	11/07/17	FORMAT CHANGE	48004	BK	MB



TYPICAL LETTERING ON CONNECTOR:
 BURNDY
 USE DIE 249 DR 11A
 4/0 ACSR CU-AL
 YKA28R-2G1
 OVERLAP CRIMPS FIG. 1

DIRECTION OF CRIMP FOR ALL CONNECTORS WITH FLAT SIDED BARREL



- NOTES:**
- MATERIAL: CAST ALUMINUM
 - FINISH: CONNECTOR COATED WITH AN OXIDE RETARDANT.
 - CAPTURE HARDWARE INCLUDED IN CATALOG NUMBER. SPECIAL LONG LEAD POINT 1/2"-13 X 2-1/2" LG. ALUM. BOLTS AND NYLON FLANGE ALUM. HEX. NUTS.
 - ROUND BARREL.
- INSTALLATION NOTE:**
- SCRATCH BRUSH CONDUCTOR AND CONNECTOR CONTACT SURFACES DRY, THEN APPLY PENETROX™ "A" (NOT INCLUDED IN CAT. NO.) PENETROX™ "A" CAN BE PURCHASED FROM FCI - BURNDY PRODUCTS IN CANS OR PLASTIC SQUEEZE BOTTLES.
- 2/0F AND 4/0F = 1 C'WELD 6 COPPER STR'S.
 - 2/0G = 2 C'WELD 5 COPPER STR'S.
 - Y35 HYPRESS™ U-DIES WITH ADAPTOR 6515 CAN ALSO BE USED WITH Y45L.
 - BARRELS ARE PARTIALLY FILLED WITH PENETROX™ AND SEALED.
 - FLAT SIDED CRIMP BARREL.
10. DIMENSIONS IN BRACKETS [] ARE IN MILLIMETERS ROUNDED OFF TO THE NEAREST MILLIMETER, UNLESS OTHERWISE NOTED, AND ARE FOR REFERENCE ONLY.

TO ORDER BURNDY® PRODUCTS CALL
 UNITED STATES:
 1-800-346-4175 (LONDONDERRY, NH)
 CANADA:
 1-800-361-6975 (QUEBEC)
 1-800-387-6487 (ALL OTHER PROVINCES)
 FOR PRODUCT INFO: <http://www.burndy.com>

HYLUG™ (CU - AL)	
ITEM NO: N/A	
CAT NO: YKA-R-2G, YCAK-R-2G (TABLE)	
SCALE: 1/1	
DRAWN BY: M.A.P.	1/25/63
CHECKER: EPG	1/25/63
DSN APPVL: JJB	1/25/63
MFG APPVL: --	--
QC APPVL: --	--
MKT APPVL: --	--
PROJ FAM: --	--
PROJECT #: --	SIZE
DOCUMENT TYPE: Sales	D
REL LEVEL: AutoCAD	
DRAWING NO	REV
SD051968	B
SHEET 1 OF 2	