

CATALOG NUMBER	ACCOMMODATES						FIG. NO.	H	L	W	INSTALLATION TOOLING					WIRE STRIP LENGTH	REV	DATE	DESCRIPTION	ECO	BY	C'K.			
	COPPER OR ALUMINUM		COMPACT		DIA. RANGE						DIE INDEX	COLOR CODE	HYDRAULIC TOOLS, DIE SETS, NO OF CRIMPS ()										DIELESS TOOL DIE ADAPTOR, NO OF CRIMPS ()		
	GROOVE A	GROOVE B	GROOVE A	GROOVE B	GROOVE A	GROOVE B							Y750, Y35, Y39	Y46	Y45								Y644M, Y644BH		
YFO140	1/0 - 6 STR	1 - 6 STR	2/0 - 6 STR	1 - 6 STR	.398 - .162	.332 - .162	1	1.15 [29]	1.62 [41]	.70 [18]	0	GREEN	UYFO, UO			(2)	PT30541	(1)	1-7/8	A	12/11/2003 00:00:00 AM	SALES DRAWING RELEASED	34246	YM	RK
YFD265	4/0 - 1 STR	1 - 6 STR	250 - 1/0	1 - 6 STR	.563 - .338	.332 - .162	1	1.47 [37]	1.88 [48]	.89 [23]	D3	BLUE	UD3 UYFD			(2)	PT30540	(2)	1-1/8						
YFD365	4/0 - 1 STR	2/0 - 1 STR	250 - 1/0	3/0 - 1/0	.563 - .338	.477 - .338	1	1.42 [36]	2.50 [64]	.89 [23]						(3)			2-3/4						
YFD415	4/0 - 3/0 STR	4/0 - 3/0 STR	250 - 3/0	250 - 3/0	.563 - .426	.563 - .426	1	1.40 [36]	2.50 [64]	.89 [23]						(3)			2-3/4						
YFN465	400 - 4/0	400 - 4/0	500 - 250	500 - 250	.750 - .522	.750 - .522	4	1.86 [47]	3.50 [89]	1.25 [32]						(3)			3-3/4						
YFN515	500 - 4/0	2/0 - 6 STR	500 - 250	3/0 - 6 STR	.815 - .522	.450 - .160	4	1.96 [50]	2.00 [51]	1.28 [33]	(2)						2-1/4								
YFN540	500 - 4/0	500 - 4/0	500 - 250	500 - 250	.815 - .522	.815 - .522	3	1.82 [46]	4.50 [114]	1.23 [31]	N	RED	UN UYFN	PN PYFN	SN UYFN	(3)	----	--	4-7/8						
YFN565	500 - 250	4/0 - 2/0 STR	500 - 300	250 - 3/0	.815 - .573	.565 - .410	4	1.89 [48]	2.00 [51]	1.27 [32]						(2)	2-1/4								
YFN615	500 - 250	350 - 250	500 - 300	350 - 300	.815 - .573	.685 - .570	2	1.99 [51]	3.50 [89]	1.28 [33]						(3)	3-3/4								
YFR715	600 - 350	350 - 2/0	600 - 400	350 - 3/0	.893 - .659	.684 - .398	4	3.04 [77]	3.50 [89]	1.74 [44]						(3)						3-3/4			
YFR765	600 - 350	600 - 350	600 - 400	600 - 400	.893 - .659	.893 - .659	4	3.04 [77]	4.62 [117]	1.74 [44]	(4)							5							
YFR815	900 - 600	350 - 2/0	900 - 700	350 - 3/0	1.108 - .877	.685 - .398	4	3.05 [78]	3.50 [89]	1.74 [44]	KR	YELLOW	----	PKR PYFR	SKR	(3)	----	--	3-3/4						
YFR865	900 - 600	600 - 350	900 - 700	600 - 400	1.108 - .877	.893 - .659	4	3.04 [77]	4.62 [117]	1.74 [44]						(4)	5								
YFR915	900 - 600	900 - 600	900 - 700	900 - 700	1.108 - .877	1.108 - .877	4	2.97 [75]	4.62 [117]	1.74 [44]						(4)	----	--	5						
YFR965	1000 - 350	1000 - 350	1000 - 400	1000 - 400	1.165 - .659	1.165 - .659	3	3.15 [80]	6.00 [152]	1.67 [42]						(5)	----	--	6-1/4						

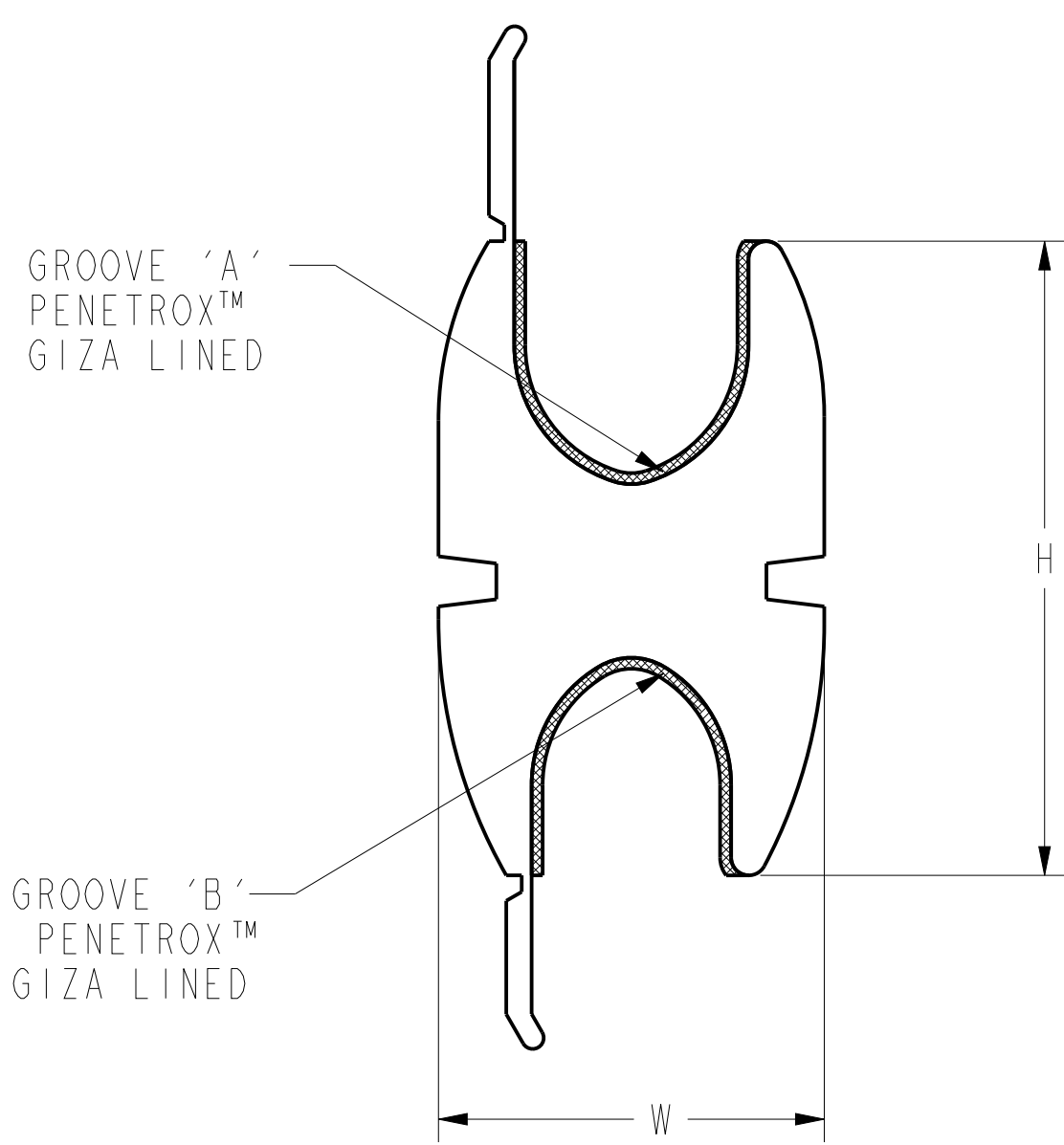


FIG - 1

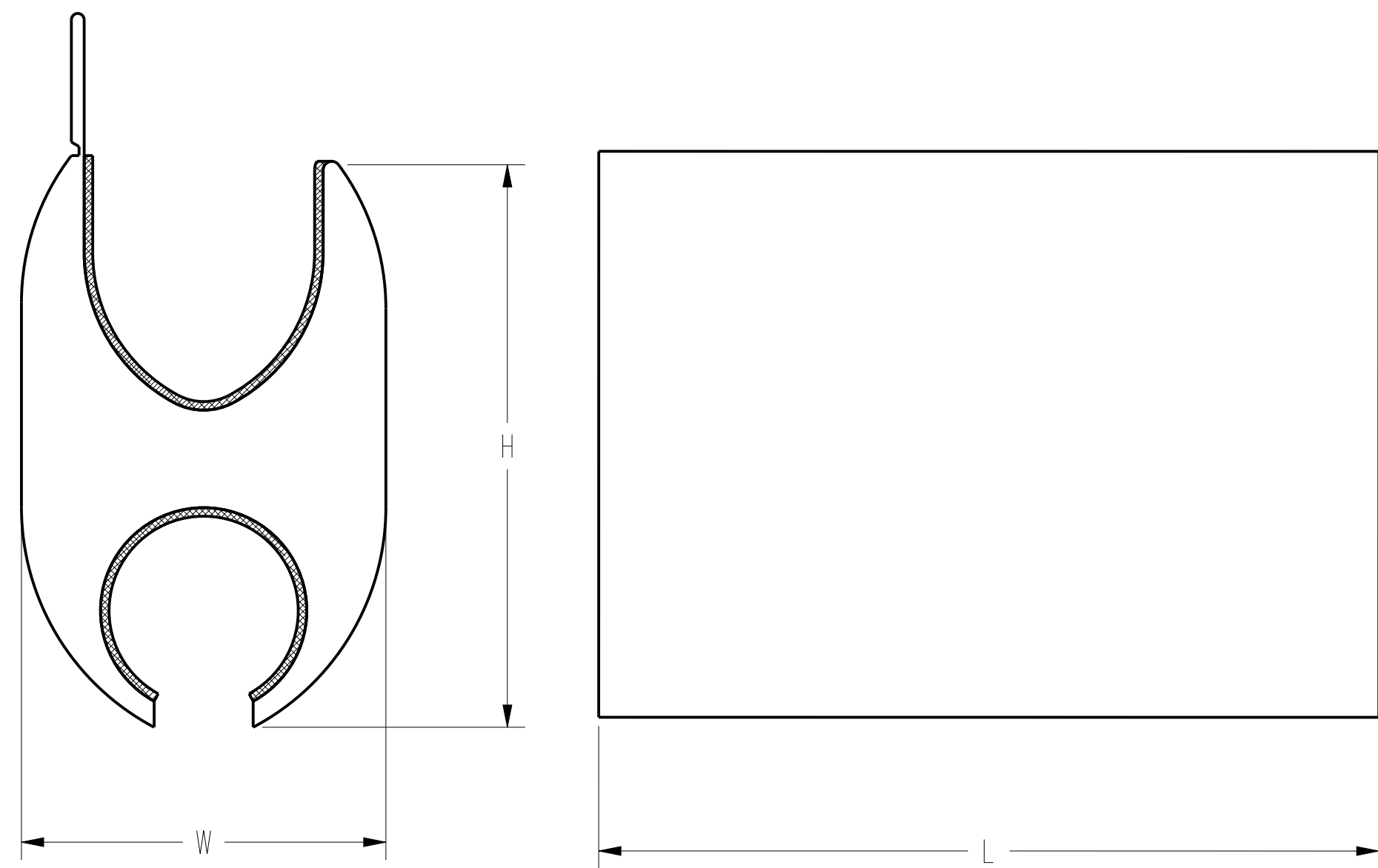


FIG - 2

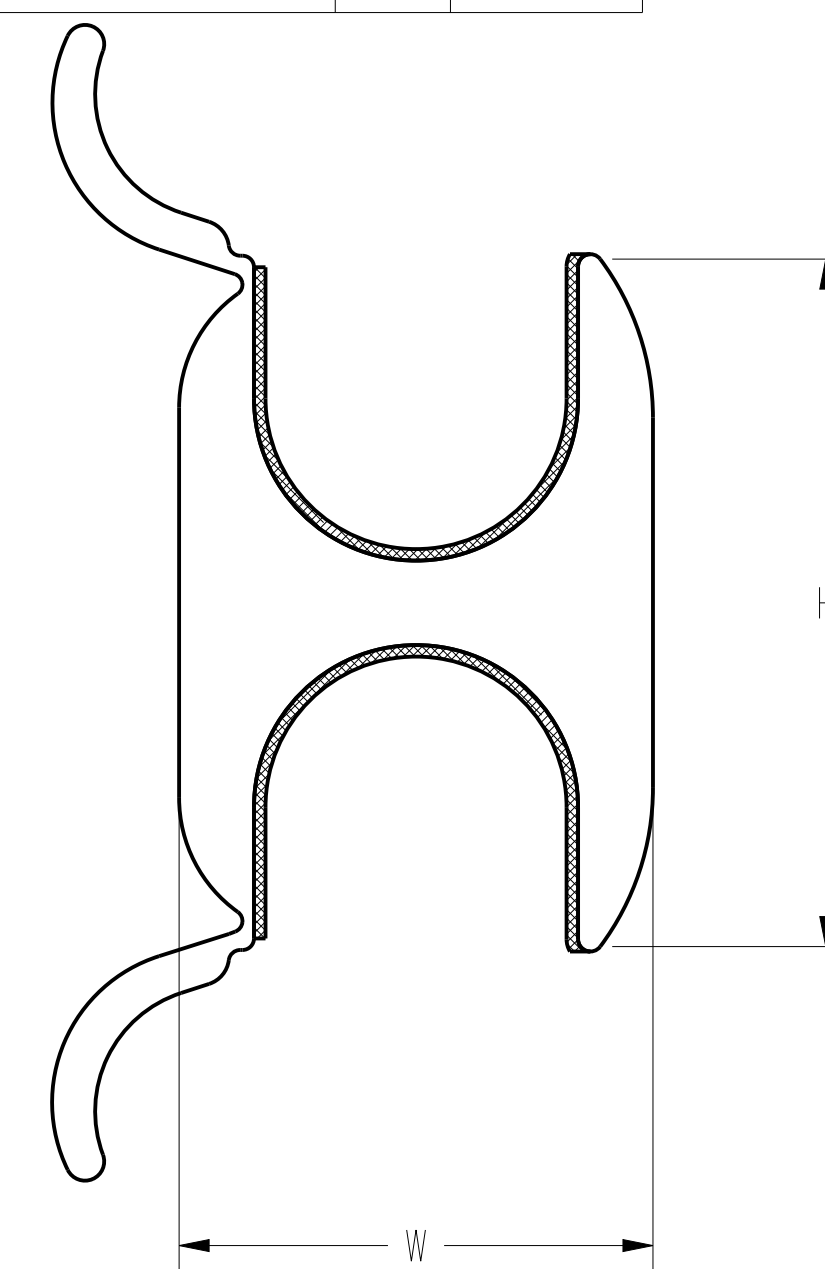


FIG - 3

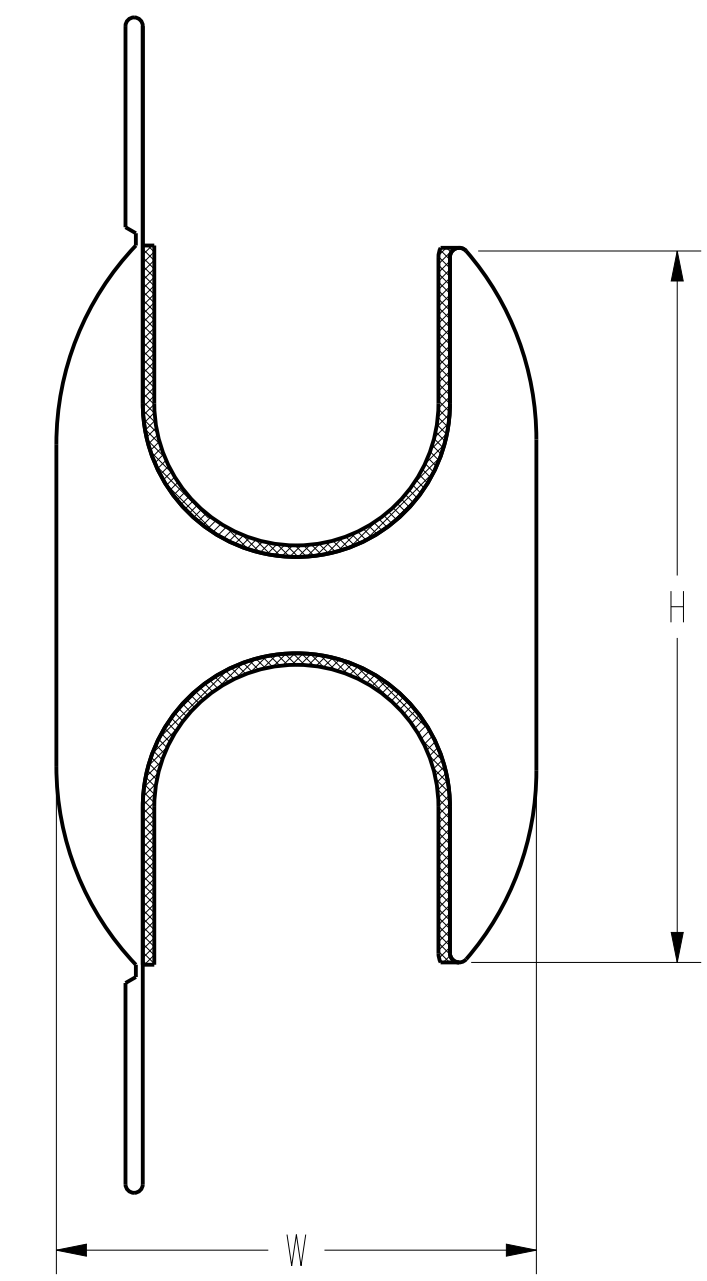


FIG - 4

NOTES:

- MATERIAL: ALUMINUM.
- FOR CONDUCTOR COMBINATIONS OF AL TO AL OR AL TO CU.
- CATALOG NUMBER P-UADP-1 ADAPTOR IS REQUIRED TO USE 'U' TYPE DIES IN Y46 TOOLS.
- OTHER CONDUCTORS NOT LISTED IN TABLE CAN BE ACCOMMODATED AS LONG AS THE CONDUCTOR DIAMETER FALLS WITHIN DIAMETER RANGE SPECIFIED.
- DIMENSIONS IN BRACKETS [] ARE IN MILLIMETERS ROUNDED OFF TO THE NEAREST MILLIMETER, UNLESS OTHERWISE SPECIFIED AND ARE FOR REFERENCE ONLY.
- CATALOG NUMBER PT6515 ADAPTOR IS REQUIRED TO USE 'U' TYPE DIES IN Y45 TOOLS.

TO ORDER BURNDY® PRODUCTS CALL		HYCRIMP™ TAP	
UNITED STATES 1-800-346-4175 (LONDONDERRY, NH)		ITEM NO: N/A	CAT. NO: YF--- (SEE TABLE)
CANADA: 1-800-361-6975 (QUEBEC) 1-800-387-6487 (ALL OTHER PROVINCES)		DRAWN BY: A MASON 06/24/74	CHECKER: SDC 06/28/74
FOR PRODUCT INFO: http://www.burndy.com		DSN APPVL: MY 07/08/74	MFG APPVL: --
		GA APPVL: CHERYL 12/11/13	MKT APPVL: SYLVIA 12/11/13
		PROD FAM: --	DRAWING NO: SD073383-01
		PROJECT #: --	SCALE: 1:1
		DOCUMENT TYPE: Sales	REV: A
		REL LEVEL: Released	SHEET 1 OF 1

