

DRAWING NO. SD074136		CONDUCTOR RANGE		FIG. NO.	WIRE STRIP LENGTH	DIE INDEX
CATALOG NUMBER	BARREL 'A'	BARREL 'B'				
YRB32U2	400 kcmil	#2 STR #1 STR	1	1-1/4"	24AB 300	
YRB32U25		1/0 STR	1			
YRB32U26		2/0 STR	1			
YRB32U27		3/0 STR	2	2-3/16"		
YRB32U28		4/0 STR	2			
YRB32U29		250 kcmil	2			
YRB32U30		300 kcmil	2			
YRB32U31		350 kcmil	2			
YRB34U25	500 kcmil	1/0 STR	1	1-1/4"	24AB 300	
YRB34U26		2/0 STR	1			
YRB34U27		3/0 STR	2	2-3/16"		
YRB34U28		4/0 STR	2			
YRB34U29		250 kcmil	2			
YRB34U30		300 kcmil	2			
YRB34U31		350 kcmil	2			
YRB34U32		400 kcmil	2			

COLOR CODE	BURNDY® INSTALLATION TOOLING (# OF CRIMPS OR INDENTS PER END) FIGURE 1										
	DIE INFORMATION		MECHANICAL RATCHET		HYDRAULIC						
	DIE INDEX	TYPE	OUR840	MD6 MD7	Y29B	Y34B	Y39, Y750 PAT750	Y46	Y45	Y48B	Y60BHU
---	24AB	NEST INDENTOR	---	---	---	---	---	P39D (1) P48PR-1	---	C39D (1) Y48PR-1	---
PINK	300	PINK DIE SET NEST INDENTOR	---	---	---	---	---	U34ART (2) P39D (1) P48PR1	U34ART (2)	U34ART (2) C34AR (1) Y48PR1	L34ART (1)

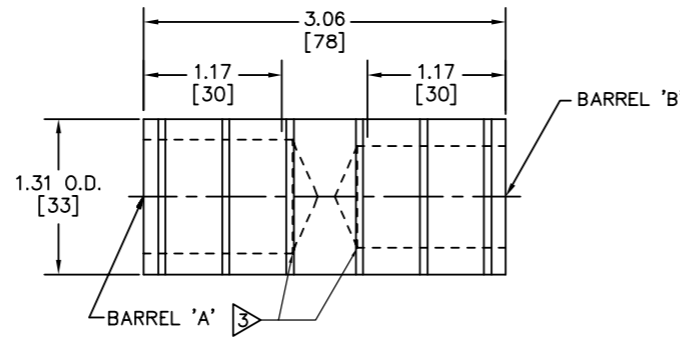


FIG. 1

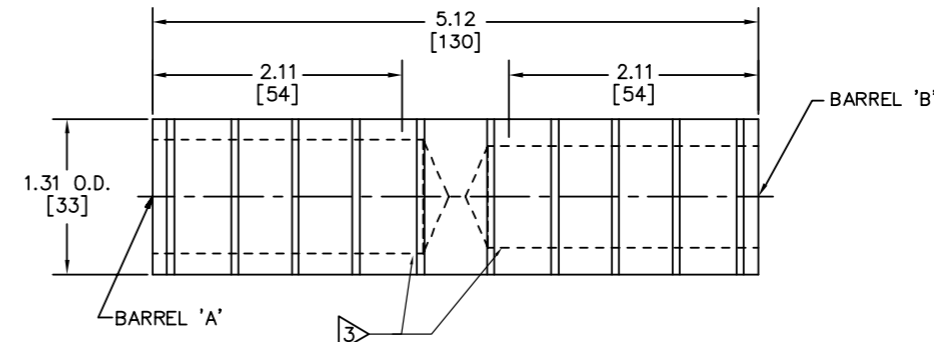
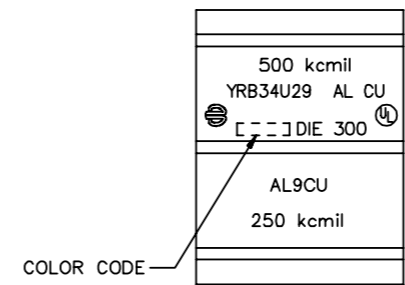


FIG. 2



TYPICAL LETTERING VIEW

NOTES:

- MATERIAL: ALUMINUM
- FINISH: TIN PLATED
- BARRELS ARE PARTIALLY FILLED WITH PENETROX™ AND SEALED.
- SCRATCH BRUSHING OF ALL CONDUCTORS BEFORE MAKING INSTALLATION IS RECOMMENDED
- NOT FOR USE WITH COPPER TO COPPER APPLICATIONS.
- DIMENSIONS IN BRACKETS [] ARE IN MILLIMETERS ROUNDED OFF TO THE NEAREST MILLIMETER, UNLESS OTHERWISE NOTED, AND ARE FOR REFERENCE ONLY.
- CATALOG #PT6515 ADAPTOR IS REQUIRED TO USE "U" DIES IN Y45 SERIES TOOLS.
- CATALOG #PUADP-1 ADAPTOR IS REQUIRED TO USE "U" DIES IN Y46 SERIES TOOLS.
- FIGURE 2 TAKES TWICE AS MANY CRIMPS.

TO ORDER BURNDY® PRODUCTS CALL UNITED STATES: 1-800-346-4175 (LONDONDERRY, NH) CANADA: 1-800-361-6975 (QUEBEC) 1-800-387-6487 (ALL OTHER PROVINCES) FOR PRODUCT INFO: http://www.burndy.com		HYLUG™	
		ITEM NO: N/A	
DRAWN BY: B.MICHAUD 3/10/99 CHECKER: K.HENRY 3/10/99 DSN APPVL: B.MACDONALD 3/3/99 MFG APPVL: N/A QC APPVL: J.BRODEUR 3/8/99 MKT APPVL: N/A		CAT NO: YAZ, YAZV-2TC-SL (TABLE)	
		BURNDY	
REV. DATE DESCRIPTION ECO BY C.K'D. C 03/13/2014 DRAWING RELEASED 35291 MVP MB		DRAWING NO: SD074136 SHEET 4 of 5	