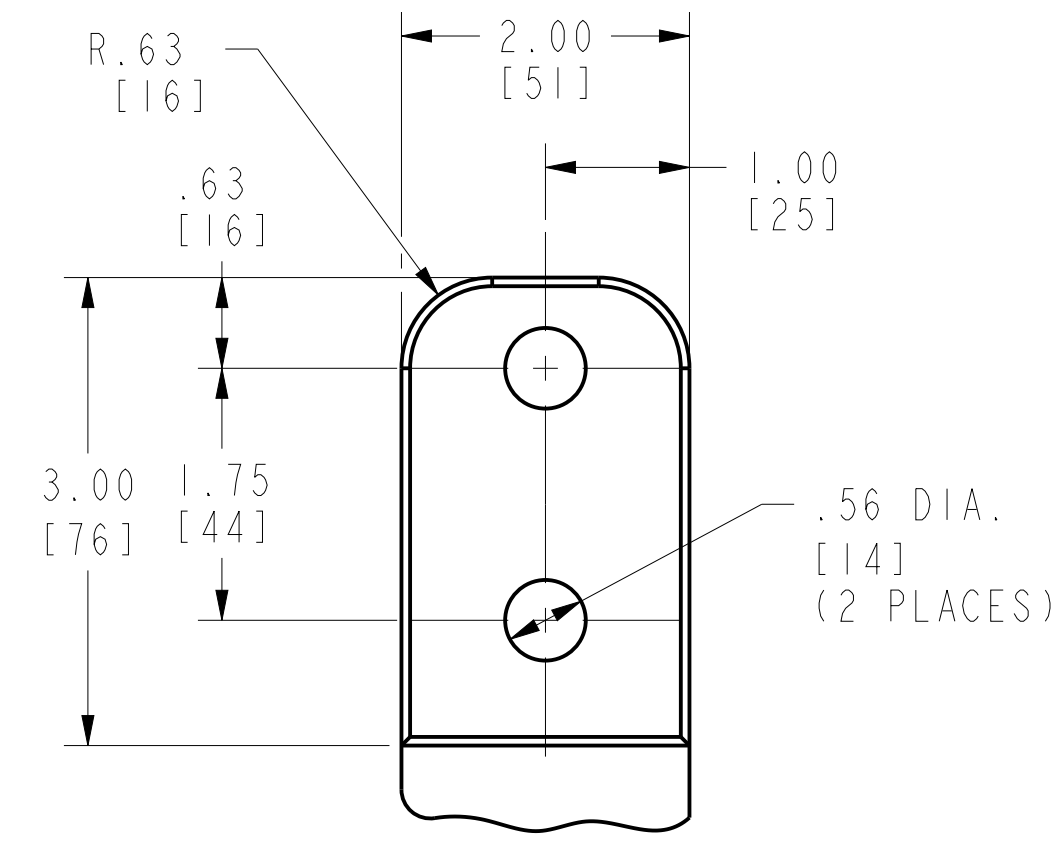
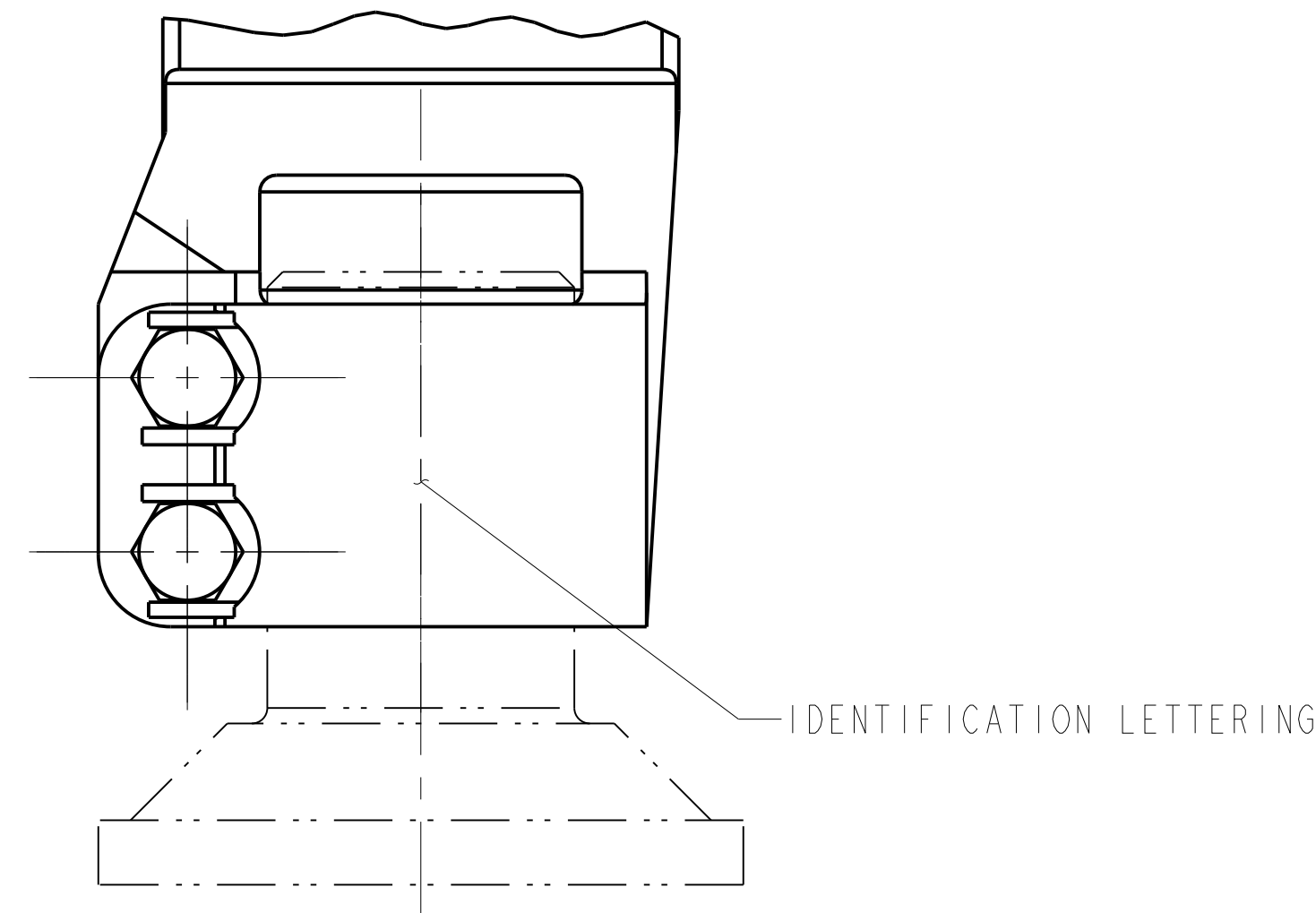
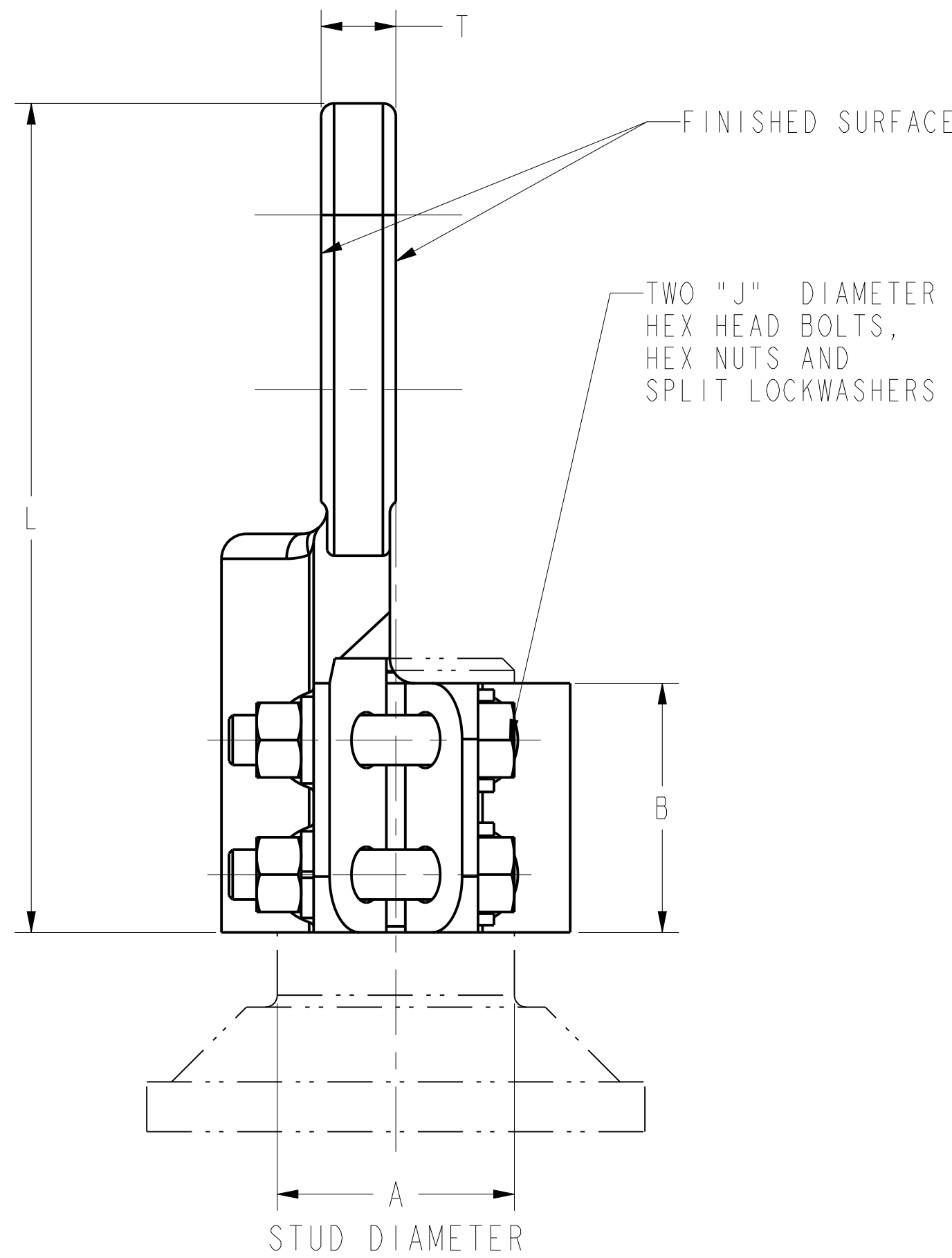
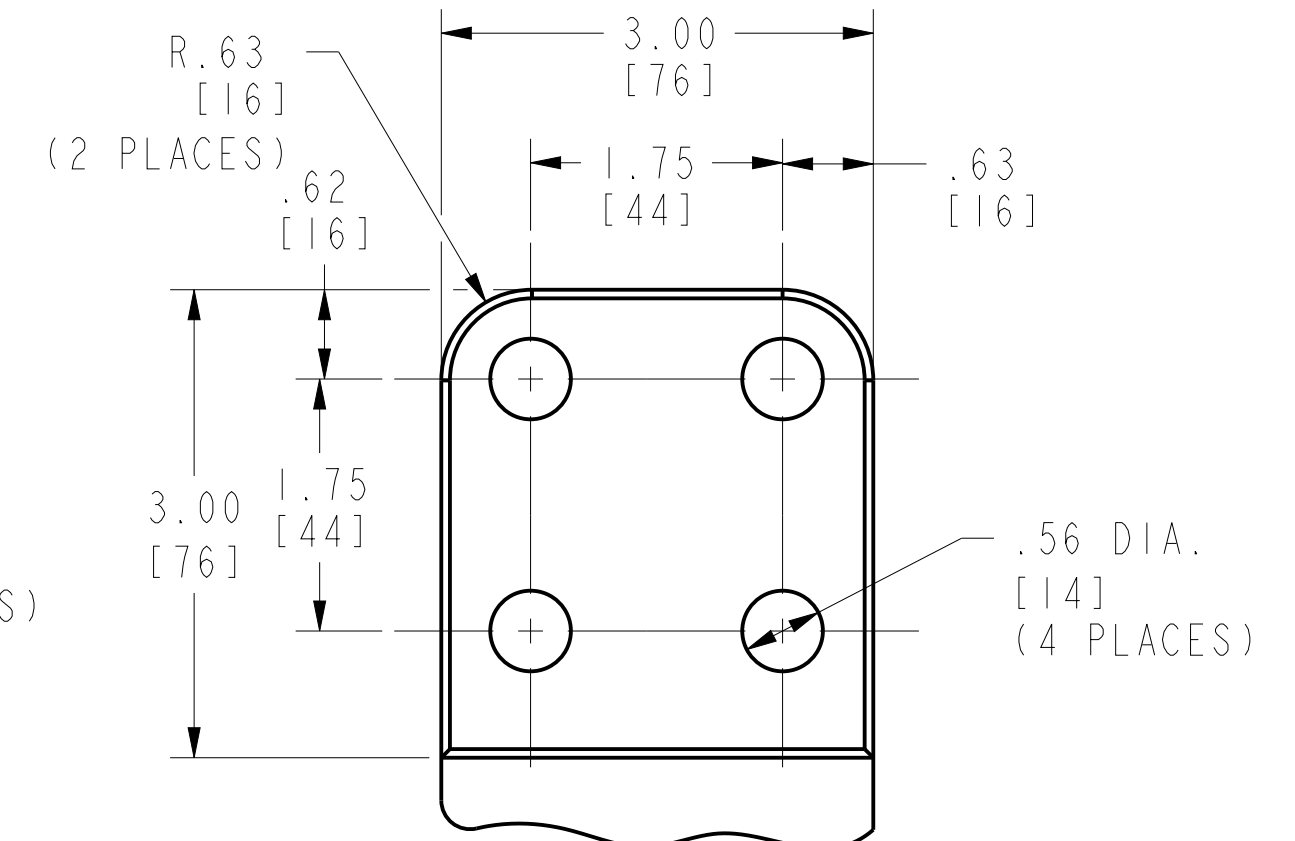


REV	DATE	DESCRIPTION	ECO	BY	C'K
U	2017-07-31 00:00:00 EDT	DRAWING RELEASED	47276	BK	MB



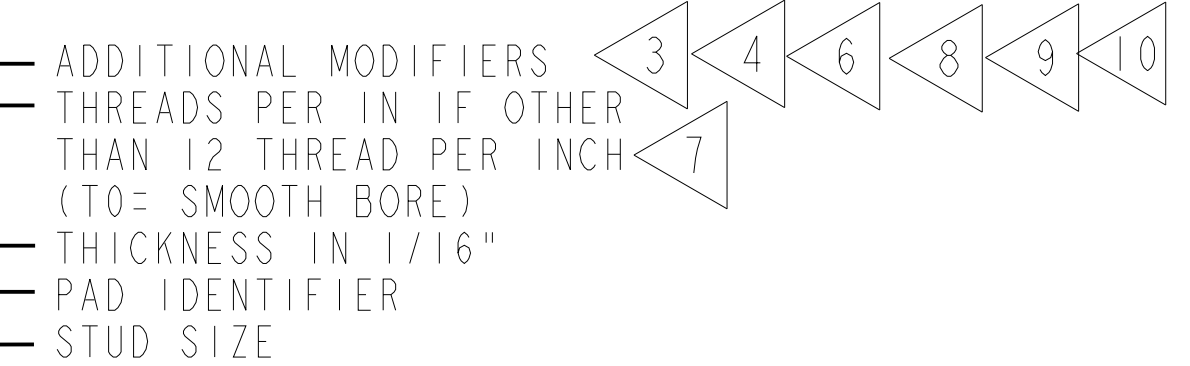
PAD B



PAD C

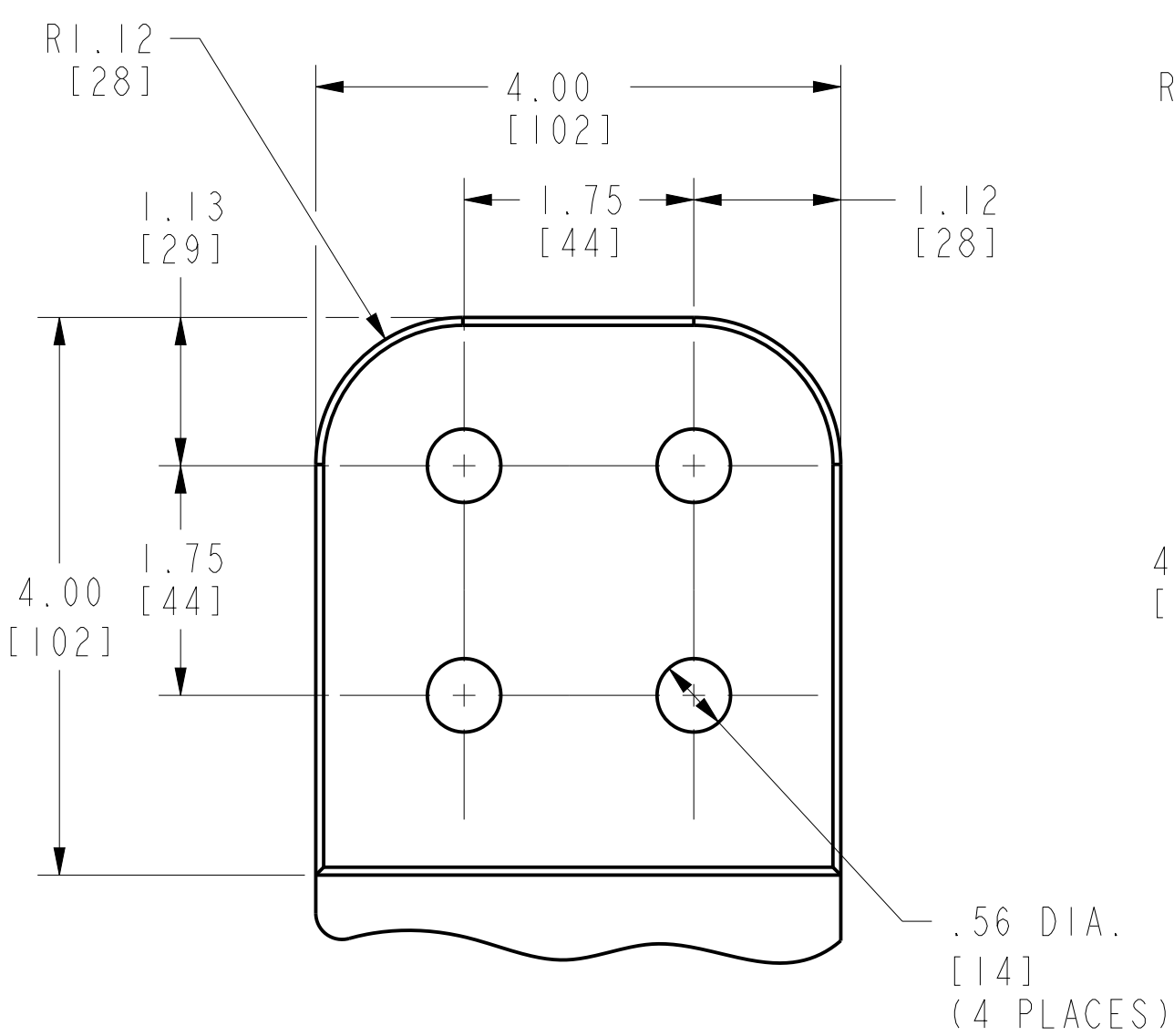
COMPOSITION OF CATALOG NUMBER

FD64B5T16

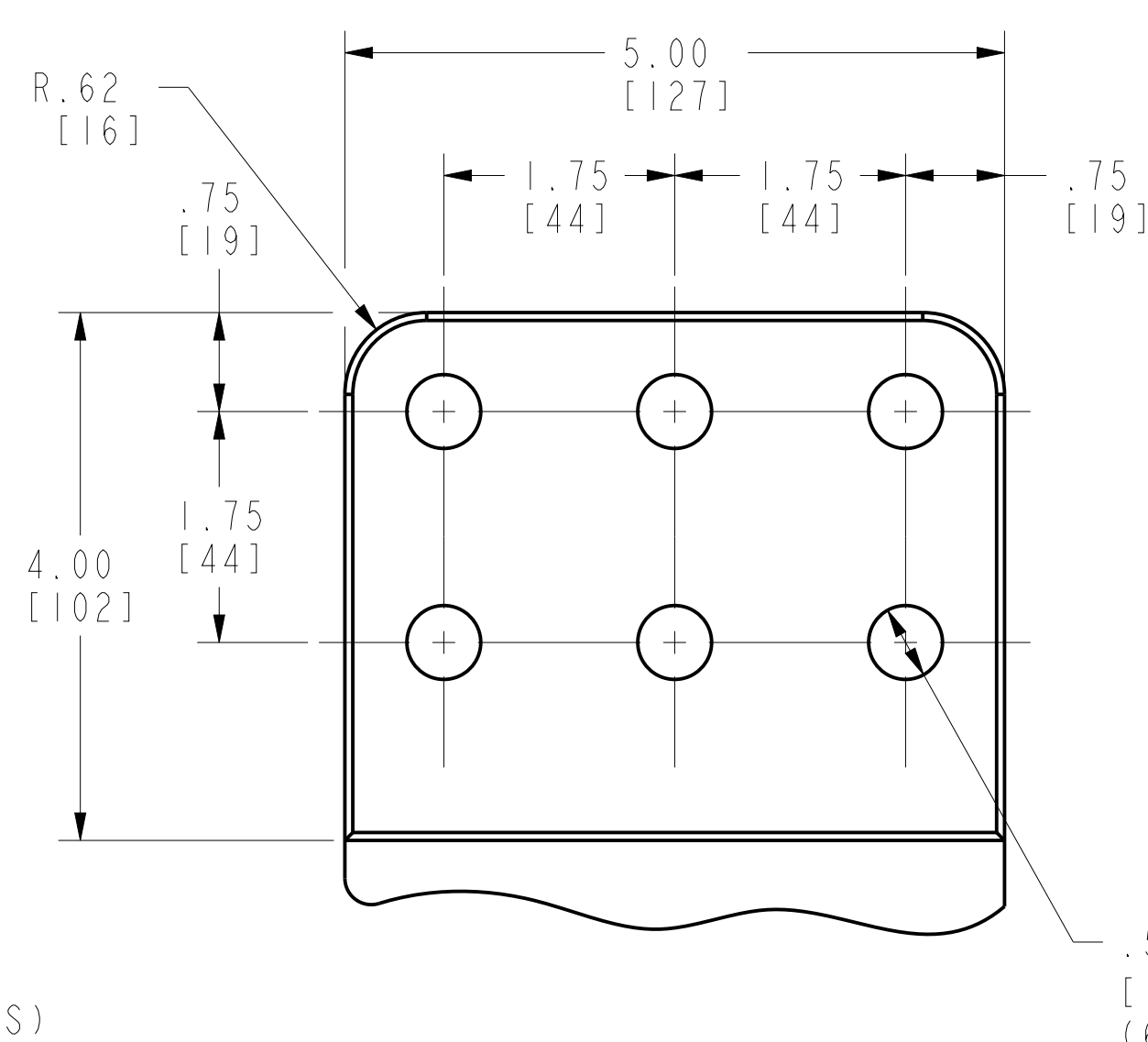


NOTES:

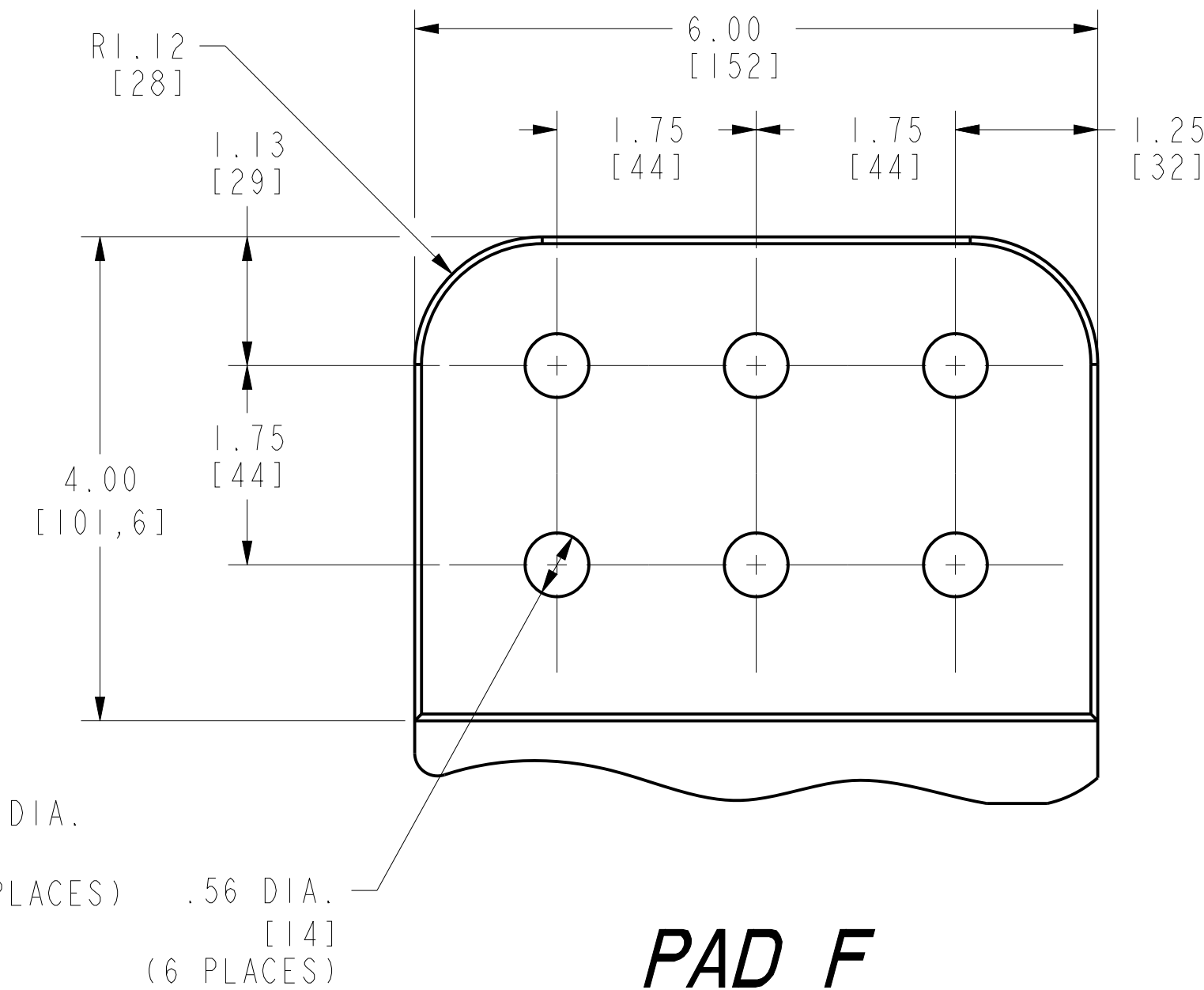
- MATERIAL: CAST COPPER ALLOY.
- ALL STUDS ARE TWELVE (12) THREADS PER INCH (TPI) UNLESS OTHERWISE SPECIFIED IN CATALOG NUMBER IF THREADS OTHER THAN 12 TPI ARE REQUIRED, ADD SUFFIX "T16", "T14", ETC. AS REQUIRED, E.G. FD64B5T16. "T16" INDICATES 16 TPI, FD65C6T14, "T14" INDICATES 14 TPI FD67D8T0, "T0" INDICATES SMOOTH STUD (NO THREADS).
- STUD CONNECTORS MAY BE PURCHASED IN MANY PLATING VARIATIONS BY ADDING SUFFIX TO END OF CATALOG NUMBER. EXAMPLES: "TN" = TIN PLATED, "SV" = SILVER PLATED, "W" = HOT TIN DIPPED AND "NK" = NICKEL PLATED.
- WHEN SUFFIX "U" IS ADDED TO THE CATALOG NUMBER THE TONGUE SHALL BE UNDRILLED.
- DIMENSIONS IN BRACKET [] ARE IN MILLIMETERS, AND ARE FOR REFERENCE ONLY.
- WHEN SUFFIX "TX" IS ADDED TO THE CATALOG NUMBER THE FOLLOWING HARDWARE SHALL BE SUPPLIED: GALVANIZED STEEL HEX HEAD BOLT AND NUT PER INTERNAL SPECIFICATION H242 AND GALVANIZED STEEL SPLIT LOCKWASHERS PER INTERNAL SPECIFICATION H229, TYPE 1.
- "T0" INDICATES SMOOTH BORE.
- SUFFIX "J0" INDICATES THAT CONNECTOR IS SUPPLIED WITHOUT ANY HARDWARE.
- ALL CATALOG NUMBERS ENDING WITH "UG" SHALL BE CAST IN MEXICO.
- THESE MODIFIERS MAY BE APPLIED TO ANY CATALOG NUMBER.



PAD D



PAD E



PAD F

TO ORDER BURNDY® PRODUCTS CALL		STUD CONNECTOR	
UNITED STATES		ITEM NO:	N/A
1-800-346-4175 (LONDONDERRY, NH)		CAT. NO:	SEE TABLE
CANADA:		DRAWN BY:	J SUDHAKAR 08/11/06
1-800-361-6975 (QUEBEC)		CHECKER:	R LAVOIE 07/02/15
1-800-387-6487 (ALL OTHER PROVINCES)		DSN APPVL:	K CASTONGUAY 05/10/18
FOR PRODUCT INFO: http://www.burndy.com		MFG APPVL:	--
		GA APPVL:	--
		MKT APPVL:	--
		PROD FAM:	SUBSTATION
		PROJECT #:	FPN1707049
		DOCUMENT TYPE:	Sales
		REL LEVEL:	Released
		SIZE:	D
		DRAWING NO:	SD079583
		SHEET 1 OF 2	
		SCALE:	1:1
		REV:	U



REV: PEO200

D

C

B

A

REV: PEO200

CATALOG NUMBER	"A" DIA STUD	PAD	B CONTACT LENGTH	J BOLT	L	T	NOMINAL AMPERE RATING		
FD63C6T13	1/2"-13	C	1.75 [44]	3/8"-16	6.00 [152]	.38 [10]	1075		
FD635C6T11	5/8"-11	C	1.75 [44]	3/8"-16	6.00 [152]	.38 [10]	1075		
FD635B6T11	5/8"-11	B	1.75 [44]	3/8"-16	6.00 [152]	.38 [10]	700		
FD64B5T16	3/4"-16	B	1.75 [44]	3/8"-16	5.72 [145]	.31 [8]	700		
FD64C5T0	3/4" SMOOTH	C			6.00 [152]	.31 [8]	1000		
FD64C5T10	3/4"-10	C			6.00 [152]	.31 [8]	1000		
FD64C5T16	3/4"-16	C			5.72 [145]	.31 [8]	1000		
FD64D5	3/4"-12	D			6.78 [170]	.31 [8]	1200		
FD645D8T0	7/8" SMOOTH	D			7.06 [179]	.50 [13]	1450		
FD65B6T14	1"-14	B	1.75 [44]	3/8"-16	5.72 [145]	.38 [10]	750		
FD65C6T14	1"-14	C			5.72 [145]	.38 [10]	1075		
FD65D8T0	1" SMOOTH	D			7.06 [179]	.50 [13]	1450		
FD65D12T0	1" SMOOTH	D			6.84 [174]	.75 [19]	2100		
FD655B6	1 1/8"-12	B			5.80 [147]	.38 [10]	750		
FD655C6	1 1/8"-12	C			5.80 [147]	.38 [10]	1075		
FD655C6T16	1 1/8"-12	C	5.80 [147]	.38 [10]	1075				
FD655D6	1 1/8"-12	D	6.86 [174]	.38 [10]	1300				
FD655B6J12	1 1/8"-12	B	2.18 [55]	1/2"-13	6.21 [158]	.38 [10]	750		
FD655C6J12	1 1/8"-12	C			6.21 [158]	.38 [10]	1075		
FD66B6	1 1/4"-12	B			5.78 [147]	.38 [10]	750		
FD66C6	1 1/4"-12	C			5.78 [147]	.38 [10]	1075		
FD66D6	1 1/4"-12	D			6.84 [174]	.38 [10]	1300		
FD66D6J0	1 1/4"-12	D			6.84 [174]	.38 [10]	1300		
FD66D8	1 1/4"-12	D	1.75 [44]	3/8"-16	6.84 [174]	.50 [13]	1450		
FD66D8W	1 1/4"-12	D			6.84 [174]	.50 [13]	1450		
FD66D18	1 1/4"-12	D			6.84 [174]	1.12 [29]	4200		
FD66C6J12	1 1/4"-12	C			2.18 [55]	1/2"-13	6.21 [158]	.38 [10]	1075
FD67B6	1 1/2"-12	B			2.18 [55]	1/2"-13	6.23 [158]	.38 [10]	750
FD67C6	1 1/2"-12	C					6.23 [158]	.38 [10]	1075
FD67D6SV	1 1/2"-12	D	7.21 [183]	.38 [10]			1300		
FD67B8	1 1/2"-12	B	6.75 [171]	.50 [13]			875		
FD67C8	1 1/2"-12	C	6.75 [171]	.50 [13]			1100		
FD67D6	1 1/2"-12	D	7.21 [183]	.38 [10]			1300		
FD67D8	1 1/2"-12	D	2.18 [55]	1/2"-13	7.5 [191]	.50 [13]	1450		
FD67D8W	1 1/2"-12	D			7.31 [186]	.50 [13]	1450		
FD67D8T0	1 1/2" SMOOTH	D			7.5 [191]	.50 [13]	1450		
FD67D12	1 1/2"-12	D			7.00 [191]	.75 [19]	2100		
FD67D16	1 1/2"-12	D			7.00 [191]	1.00 [25]	3000		
FD67D16T0	1 1/2" SMOOTH	D			7.00 [191]	1.00 [25]	3000		
FD675C8	1 3/4"-12	C	2.18 [55]	1/2"-13	6.32 [161]	.50 [13]	1100		
FD675D8	1 3/4"-12	D			7.39 [188]	.50 [13]	1450		
FD675D12	1 3/4"-12	D			7.39 [188]	.75 [19]	2100		
FD675D12W	1 3/4"-12	D			7.88 [200]	.75 [19]	2100		

D

C

B

A

CATALOG NUMBER	"A" DIA STUD	PAD	B CONTACT LENGTH	J BOLT	L	T	NOMINAL AMPERE RATING
FD68C8	2"-12	C	2.18 [55]	1/2"-13	6.35 [161]	.50 [13]	1100
FD68D8	2"-12	D			7.42 [188]	.50 [13]	1450
FD68D8W	2"-12	D			7.42 [188]	.50 [13]	1450
FD68D12	2"-12	D			7.42 [188]	.75 [19]	2100
FD68D16	2"-12	D	2.13 [54]	1/2"-13	7.42 [188]	1.00 [25]	3000
FD685C8	2 1/4"-12	C	2.50 [64]		6.71 [170]	.50 [13]	1100
FD685D8	2 1/4"-12	D			7.77 [197]	.50 [13]	1450
FD685D12	2 1/4"-12	D			7.77 [197]	.75 [19]	2100
FD685D16	2 1/4"-12	D		7.77 [197]	1.00 [25]	3000	
FD685D16M60T0	2.362 [60] DIA SMOOTH						
FD69C8	2 1/2"-12	C	2.50 [64]	1/2"-13	6.77 [172]	.50 [13]	1100
FD69D8	2 1/2"-12	D			8.03 [204]	.50 [13]	1450
FD69D12	2 1/2"-12	D			8.03 [204]	.75 [19]	2100
FD69D12TN	2 1/2"-12	D			8.03 [204]	1.00 [25]	3000
FD69D16	2 1/2"-12	D	2.88 [73]	5/8"-11	8.25 [210]	.75 [19]	2100
FD696D12T0	2 13/16" SMOOTH	D			7.21 [183]	.50 [13]	1100
FD70C8	3"-12	C			8.28 [210]	.50 [13]	1450
FD70D8	3"-12	D			8.26 [210]	.75 [19]	2100
FD70D12	3"-12	D	2.88 [73]	5/8"-11	8.24 [210]	1.00 [25]	3000
FD70D16	3"-12	D			9.19 [234]	1.00 [25]	4000
FD70F16T0W	3" SMOOTH	F			9.19 [234]	1.00 [25]	4000
FD70F16W	3"-12	F			9.19 [234]	1.00 [25]	4000
FD70F16	3"-12	F	2.88 [73]	5/8"-11	8.24 [210]	1.38 [35]	4000
FD70D22	3"-12	D			7.20 [183]	.75 [19]	1900
FD705C12	3 1/4"-12	C			8.26 [210]	.75 [19]	2100
FD705D12	3 1/4"-12	D			8.26 [210]	1.00 [25]	3000
FD705D16	3 1/4"-12	D	3.00 [76]	5/8"-11	9.00 [229]	1.00 [25]	4000
FD705F16	3 1/4"-12	F			8.78 [223]	.75 [19]	2100
FD71D12	3 1/2"-12	D			8.40 [213]	1.00 [25]	3000
FD71D16	3 1/2"-12	D			8.42 [214]	.75 [19]	2100
FD72D12	4"-12	D	3.00 [76]	5/8"-11	8.42 [214]	1.00 [25]	3000
FD72D16	4"-12	D			8.42 [214]	1.12 [28]	4200
FD72F18	4"-12	F			8.42 [214]	1.12 [28]	4200
FD72F18W	4"-12	F			8.42 [214]	1.12 [28]	4200
FD72D27	4"-12	D	3.00 [76]	5/8"-11	8.42 [214]	1.68 [43]	3000
FD72D27W	4"-12	D			8.42 [214]	1.68 [43]	3000
FD73F20	4 1/2"-12	F			9.34 [237]	.75 [19]	5000
FD678D16T0Q	1 7/8" SMOOTH	D			2.18 [55]	1/2"-13	7.42 [188]
FD68D12T0W	2" SMOOTH	D			7.42 [188]	.75 [19]	2100

D

C

B

A

TO ORDER BURNDY® PRODUCTS CALL		ITEM NO: N/A	
UNITED STATES		CAT. NO: SEE TABLE	
1-800-346-4175 (LONDONDERRY, NH)		DRAWN BY: J SUDHAKAR 08/11/06	
CANADA:		CHECKER: R LAVOIE 07/02/15	
1-800-361-6975 (QUEBEC)		DSN APPVL: K CASTONGUAY 05/10/18	
1-800-387-6487 (ALL OTHER PROVINCES)		MFG APPVL: --	
FOR PRODUCT INFO: http://www.burndy.com		GA APPVL: --	
		MKT APPVL: --	
		SCALE: 1:1	
		PROD FAM: SUBSTATION	
		DRAWING NO	
		PROJECT #: FPN1707049	
		SIZE	
		DOCUMENT TYPE: Sales	
		SD079583	
		REL LEVEL: Released	
		SHEET 2 OF 2	
		U	

REV	DATE	DESCRIPTION	ECO	BY	C'H'K'
U	2017-07-31 00:00:00 EDT	DRAWING RELEASED	47276	BK	MB