

DRAWING NO.
SD079587

7

6

5

4

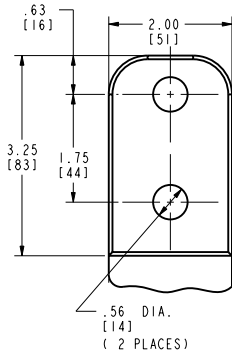
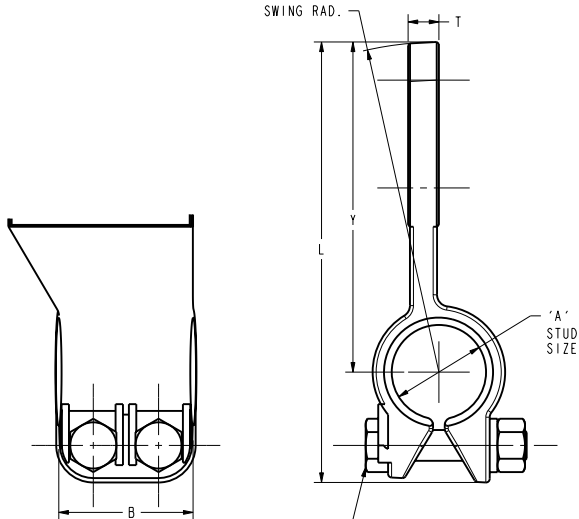
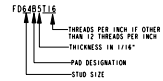
3

2

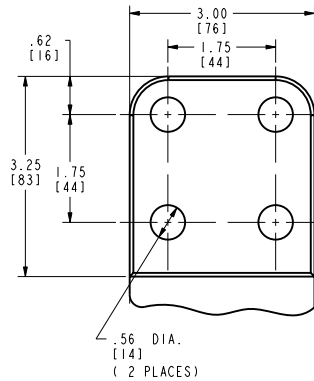
1

REV	DATE	DESCRIPTION	ECO	BY	C.H.K.
B	04/20/2012 10:29:00 AM			MB	MA

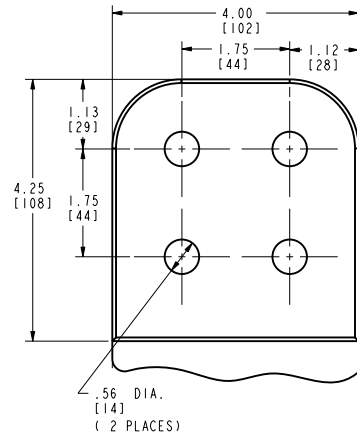
COMPOSITION OF CATALOG NUMBER:



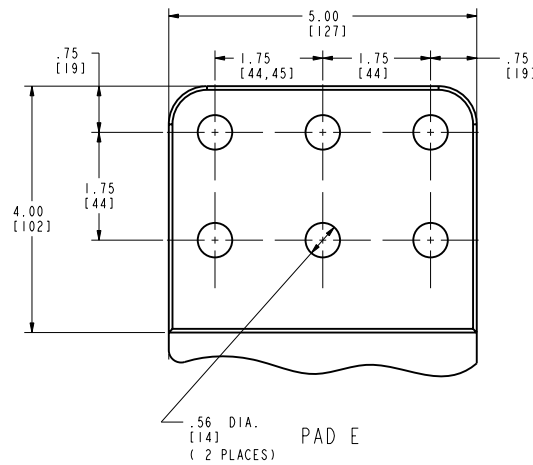
PAD B



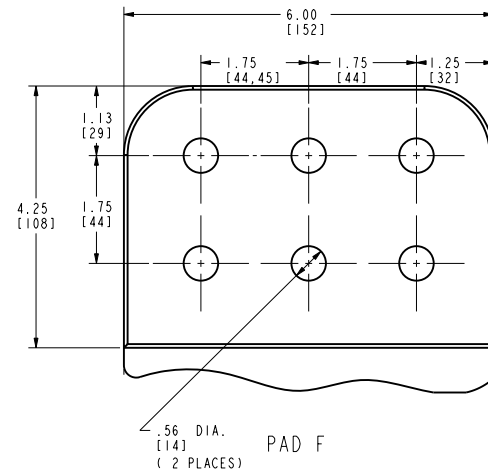
PAD C



PAD D



PAD E



PAD F

REFERENCE:
 SD79587
 DD79600 "STUD STANDARDS"
 DC35017 "TONGUE STANDARDS"

TO ORDER BURNDY® PRODUCTS CALL		STUD CONNECTOR	
UNITED STATES		ITEM NO:	296002
1-800-346-4175 (LONDONDERRY, NH)		CAT. NO:	FDR & FDR-T (TABLE)
CANADA:		DRAWN BY:	J. SUDHAKAR
1-800-361-6975 (QUEBEC)		CHECKER:	R. LAVOIE
1-800-387-6487 (ALL OTHER PROVINCES)		DSN APPVL:	R. LAVOIE
FOR PRODUCT INFO: http://www.burndy.com		MFG APPVL:	F. DOERING
		QA APPVL:	J. BRODEUR
		MKT APPVL:	D. HAMILTON
		PROJ APPVL:	D. HAMILTON
		PROJ FAM:	SUBSTATION
		PROJECT #:	
		SIZE:	D
		DRAWING NO:	SD079587
		DOCUMENT TYPE:	Sales
		REL LEVEL:	Released
		SHEET	1 OF 2
		SCALE:	1:1
		REV	B

BURNDY

REV: PEC000

8

7

6

5

4

3

2

1

DRAWING NO.
SD079587

7

6

5

4

3

2

1

REV	DATE	DESCRIPTION	ECO	BY	C.H.K.
B	04/20/2012 10:29:00 AM	100% CHG		27225 MB	MA

CATALOG NUMBER	"A" STUD SIZE	PAD	B	J DIA.	L	T	Y	SWING PAD	NOMINAL AMPERE RATINGS
FDR64B5T16	3/4"-16	B	1.75	3/8"-16	5.02	.31	3.89	3.90	700
FDR64C5T16		C			5.02	.31	3.89	3.90	1000
FDR65B6T14	1"-14	B			5.27	.38	4.02	4.03	750
FDR65C6T14		C			5.27	.38	4.02	4.03	1075
FDR655B6	1 1/8"-12	B			5.44	.38	4.14	4.15	750
FDR655C6		C			5.44	.38	4.14	4.15	1075
FDR655D6		D			6.50	.38	5.20	5.20	1300
FDR66B6	1 1/4"-12	B			5.57	.38	4.20	4.21	750
FDR66C6		C			5.57	.38	4.20	4.21	1075
FDR66D6		D			6.63	.38	5.26	5.27	1300
FDR67B6	1 1/2"-12	B			5.99	.38	4.31	4.32	750
FDR67C6		C			5.99	.38	4.31	4.32	1075
FDR67D8		D	7.05	.50	5.37	5.38	1450		
FDR675C8	1 3/4"-12	C	6.31	.50	4.51	4.53	1100		
FDR675D8		D	7.37	.50	5.99	6.00	1450		
FDR68C8	2"-12	C	6.60	.50	4.66	4.68	1100		
FDR68D8		D	7.66	.50	5.73	5.74	1450		
FDR68D12		D	7.66	.75	5.73	5.76	2100		
FDR685C8	2 1/4"-12	C	7.18	.50	4.81	4.83	1100		
FDR685D8		D	8.24	.50	5.88	5.89	1450		
FDR685D12		D	8.24	.75	5.88	5.91	2100		
FDR69C8	2 1/2"-12	C	7.49	.50	5.00	5.01	1100		
FDR69D8		D	8.54	.50	6.06	6.07	1450		
FDR69D12		D	8.54	.75	6.06	6.09	2100		
FDR70C8	3"-12	C	8.12	.50	5.32	5.34	1100		
FDR70D8		D	9.18	.50	6.38	6.39	1450		
FDR70D12		D	9.18	.75	6.38	6.42	2100		
FDR70D16		D	9.18	1.00	6.38	6.46	3000		
FDR70F16		F	9.62	1.00	6.81	6.88	3000		
FDR705C12	3 1/4"-12	C	8.38	.75	5.43	5.48	1900		
FDR705D12		D	9.44	.75	6.49	6.53	2100		
FDR705D16		D	9.44	1.00	6.49	6.56	3000		
FDR71D12	3 1/2"-12	D	9.78	.75	6.61	6.65	2100		
FDR71D16		D	9.78	1.00	6.61	6.68	3000		
FDR72D12	4"-12	D	10.26	.75	6.85	6.88	2100		
FDR72D16		D	10.26	1.00	6.85	6.92	3000		
FDR74D12	5"-12	D	3.25		11.31	.75	7.41	7.44	2100

NOTES:
 1 ALL STUDS ARE TWELVE(12) THREADS PER INCH(TPI)
 UNLESS OTHERWISE SPECIFIED IN CATALOG NUMBER.
 IF THREADS OTHER THAN 12 TPI ARE REQUIRED, ADD
 SUFFIX 'T16', ETC AS REQUIRED, E.G:
 FDR64B5T16, 'T16' INDICATES 16 TPI.
 FDR65C6T14, 'T14' INDICATES 14 TPI.
 FDR67D8T0, 'T0' INDICATES SMOOTH STUD
 (NO THREADS)

MATERIAL:
CAST COPPER ALLOY

REFERENCE: DD79600

TO ORDER BURNDY® PRODUCTS CALL		STUD CONNECTOR	
UNITED STATES		ITEM NO: 296002	
1-800-346-4175 (LONDONDERRY, NH)		CAT. NO: FDR & FDR-T(TABLE)	
CANADA:		DRAWN BY: J SUDHAKAR	
1-800-361-6975 (QUEBEC)		CHECKER: R LAVOIE	
1-800-387-6487 (ALL OTHER PROVINCES)		DSN APPVL: R LAVOIE	
FOR PRODUCT INFO: http://www.burndy.com		MFG APPVL: P DOERING	
		QA APPVL: J BRODEUR	
		MKT APPVL: D HAMILTON	
		SCALE: 1:1	
		PROD FAM: SUBSTATION	
		SIZE	
		DRAWING NO	
		REV	
		PROJECT #	
		SD079587	
		DOCUMENT TYPE: Sales	
		SHEET 2 OF 2	
		REL LEVEL: Released	

REV: PEC000

8

7

6

5

4

3

2

1