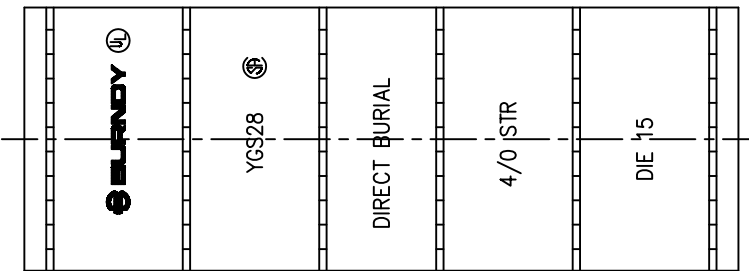


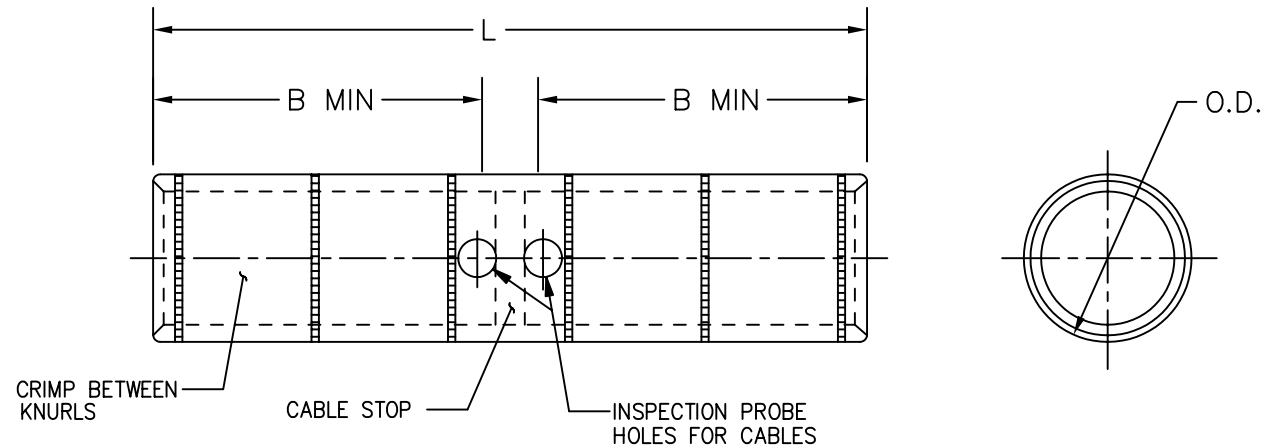
DRAWING NO.  
SD082514-01

CATALOG NUMBER	COPPER CONDUCTOR		DIMENSIONS IN/mm			INSTALLATION DATA		
	SIZE	STR.	B MIN.	L APPROX.	O.D.	DIE INDEX NO.	HYPRESS Y35/Y39/Y45/Y46/Y750	NO. OF CRIMPS
YGS2C	#2 (.292 DIA) [35mm <sup>2</sup> (7.6mm DIA)]	7	1.09 [28]	2.41 [61]	.42 [11]	10	U2CRT	2
YGS25	1/0 (.372 DIA) [50mm <sup>2</sup> (9.4mm DIA)]	7, 19	1.35 [34]	2.97 [75]	.51 [13]	12	U25RT	2
YGS26	2/0 (.420 DIA) [70mm <sup>2</sup> (10.9mm DIA)]	7, 19, 37	1.37 [35]	2.97 [75]	.56 [14]	13	U26RT	2
YGS28	4/0 (.528 DIA) [95mm <sup>2</sup> (12.5mm DIA)]	7, 12, 19	1.35 [34]	2.93 [74]	.69 [18]	15	U28RT	2
YGS29	250 kcmil (.575 DIA) [120mm <sup>2</sup> (14.4mm DIA)]	7, 19, 37	1.35 [34]	2.93 [74]	.75 [19]	16	U29RT	2
YGS34	500 kcmil (.813 DIA) [240mm <sup>2</sup> (20.4mm DIA)]	19, 37	2.05 [52]	4.33 [110]	1.06 [27]	20	U34RT	4

REV.	DATE	DESCRIPTION	ECO	BY	C'K'D.
B	4/10/08	REVERSE TUBE REDUCTION CHNG	15552	PL	PL



TYPICAL LETTERING



NOTES:

- MATERIAL: COPPER
- BARRELS IS PREFILLED WITH PENETROX "E" AND INDIVIDUALLY SEALED.
- WHERE A "U" OR "PU" IS RECOMMENDED WITH THE Y45 HYPRESS. A PT6515 ADAPTER MUST BE USED.
- WHERE A "U" OR "PU" IS RECOMMENDED WITH THE Y46 HYPRESS. A P-UADP ADAPTER MUST BE USED.
- UL467 LISTED.
- LISTED UNDER UL486A FOR COPPER WIRE CONNECTORS.
- SUITABLE FOR DIRECT BURIAL IN EARTH OR CONCRETE.
- DIMENSIONS IN BRACKETS [ ] ARE IN MILLIMETERS.

TO ORDER BURNDY® PRODUCTS CALL  
 UNITED STATES:  
 1-800-346-4175 (LONDONDERRY, NH)  
 CANADA:  
 1-800-361-6975 (QUEBEC)  
 1-800-387-6487 (ALL OTHER PROVINCES)  
 FOR PRODUCT INFO: <http://www.burndy.com>

HYLINK™ COPPER GROUND	
ITEM NO:	N/A
CAT NO:	YGS- (TABLE)
SCALE:	2X
DRAWN BY:	A.M. 11/20/78
CHECKER:	A.M. 11/20/78
DSN APPVL:	E.B. 11/20/78
MFG APPVL:	--
QC APPVL:	A LLOYD 8/18/92
MKT APPVL:	T NELSON 9/10/92
PROD FAM:	--
PROJECT #:	--
DOCUMENT TYPE:	Sales
REL LEVEL:	AUTOCAD

**BURNDY**

DRAWING NO	REV
SD082514-01	B
SHEET 1 OF 1	