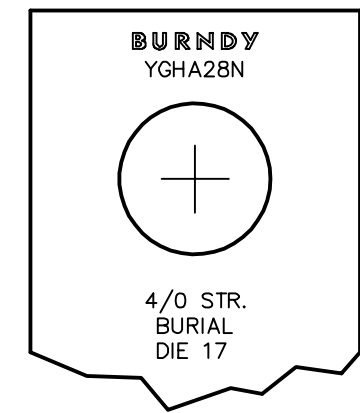
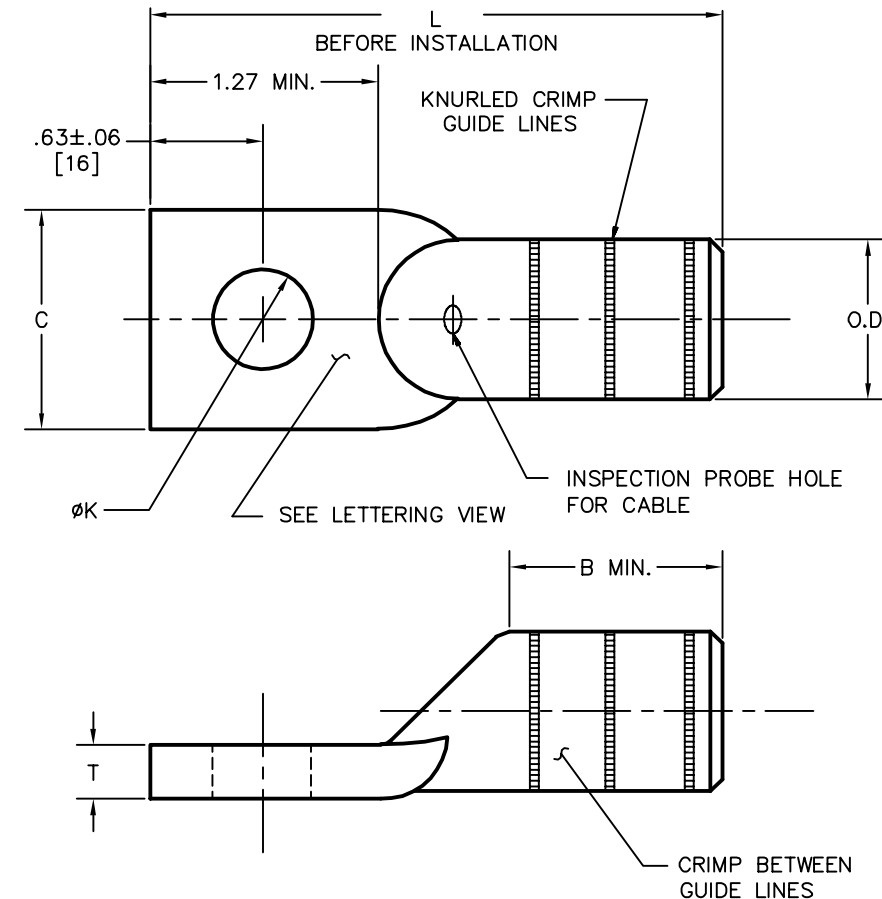


DRAWING NO.
SD211241-01

CATALOG NUMBER	COPPER CONDUCTOR		DIMENSIONS							INSTALLATION DATA		
	SIZE	STR.	B MIN.	C $\pm .08$ $[\pm 2.0]$	K DIA.	L $\pm .12$ $[\pm 3.0]$	O.D.	T	DIE INDEX	HYPRESS™ PAT750, PAT46 Y35, Y39, Y45, Y46, Y750	NO. OF CRIMPS	
YGHA2CN YGHA2CNTN	#2 (.292 DIA.) [35mm ² (7.6mm DIA.)]	7	.75 [19]	.97 [25]	.56 [14]	2.46 [62]	.50 [13]	.26 [7]	11	U1CRT	1	
YGHA25	1/0 (.372 DIA.) [50mm ² (9.4mm DIA.)]	7, 19	.83 [21]	.91 [23]	.69 [18]	2.84 [72]	.63 [16]	.19 [5]	14	U27RT	1	
YGHA25NTN	1/0 (.372 DIA.) [50mm ² (9.4mm DIA.)]	7, 19	.83 [21]	.91 [23]	.56 [14]	2.84 [72]	.63 [16]	.19 [5]	14	U27RT	1	
YGHA26N	2/0 (.420 DIA.) [70mm ² (10.9mm DIA.)]	7, 19, 37	.83 [21]	.97 [25]	.56 [14]	2.63 [67]	.71 [18]	.26 [7]	15	U28RT	1	
YGHA28N YGHA28NNK	4/0 (.528 DIA.) [95mm ² (12.5mm DIA.)]	7, 12, 19	1.18 [30]	1.22 [31]	.56 [14]	3.18 [81]	.89 [23]	.30 [8]	17	U30RT	2	
YGHA29N	250 kcmil (.575 DIA.) [120mm ² (14.4mm DIA.)]	7, 12, 19	1.18 [30]	1.28 [33]	.56 [14]	3.18 [81]	.75 [19]	.34 [9]	18	U31RT	2	
YGHA31N	350 kcmil (.681 DIA.) [185mm ² (17.8mm DIA.)]	12, 19, 37	1.18 [30]	1.62 [41]	.56 [14]	3.20 [81]	1.17 [30]	.43 [11]	20	U34RT	2	
YGHA34N	500 kcmil (.813 DIA.) [240mm ² (20.4mm DIA.)]	19, 37	1.48 [38]	1.72 [44]	.56 [14]	3.66 [93]	1.24 [31]	.40 [10]	22	U36RT	3	

REV.	DATE	DESCRIPTION	ECO	BY	C'K'D.
K	05/21/2021	UPDATED AS PER MARKUP	210505007836	PB	RG



NOTES:

- MATERIAL: COPPER
- BARREL IS PREFILLED WITH PENETROX™ "E" AND INDIVIDUALLY SEALED.
- WHERE A "U" OR "PU" IS RECOMMENDED WITH THE Y45 HYPRESS,™ A PT6515 ADAPTER MUST BE USED.
- WHERE A "U" OR "PU" IS RECOMMENDED WITH THE Y46 HYPRESS,™ A PUADP-1 ADAPTER MUST BE USED.
- SUITABLE FOR DIRECT BURIAL IN EARTH OR CONCRETE.
- DIMENSIONS IN BRACKETS [] ARE IN MILLIMETERS, ROUNDED OFF TO THE NEAREST MILLIMETER UNLESS OTHERWISE NOTED, AND ARE FOR REFERENCE ONLY.
- SUFFIX "TN" DENOTES TIN PLATING.
- SINGLE HOLE TERMINALS ARE NOT RECOMMENDED FOR APPLICATIONS WHERE THERE IS POTENTIAL FOR EXPOSURE TO VIBRATION, EARTHQUAKES, OR SUBSTANTIAL ELECTROMAGNETIC FORCES.
- SUFFIX "TNNP" DENOTES TIN PLATING WITH NO PENETROX™ "E" ADDED INSIDE THE BARREL.
- FOR NICKEL PLATED PARTS ADD SUFFIX "NK" TO THE CATALOG NUMBER.

TO ORDER BURNDY® PRODUCTS CALL
 UNITED STATES:
 1-800-346-4175 (LONDONDERRY, NH)
 CANADA:
 1-800-387-6487
 FOR PRODUCT INFO: <http://www.burndy.com>

HYLUG™ HEAVY DUTY, GROUND	
ITEM NO:	N/A
CAT NO:	YGHA--N (SEE TABLE)
SCALE:	NTS
DRAWN BY:	K. BOUTIN 01/14/98
CHECKER:	K. HENRY 01/16/98
DSN APPVL:	K. MELLO 01/16/98
MFG APPVL:	--
QC APPVL:	S. GRAY 01/28/98
MKT APPVL:	--
PROD FAM:	--
PROJECT #:	--
DOCUMENT TYPE:	Sales
REL LEVEL:	RELEASED
DRAWING NO	SD211241-01
REV	K
SIZE	D
SHEET 1 of 1	