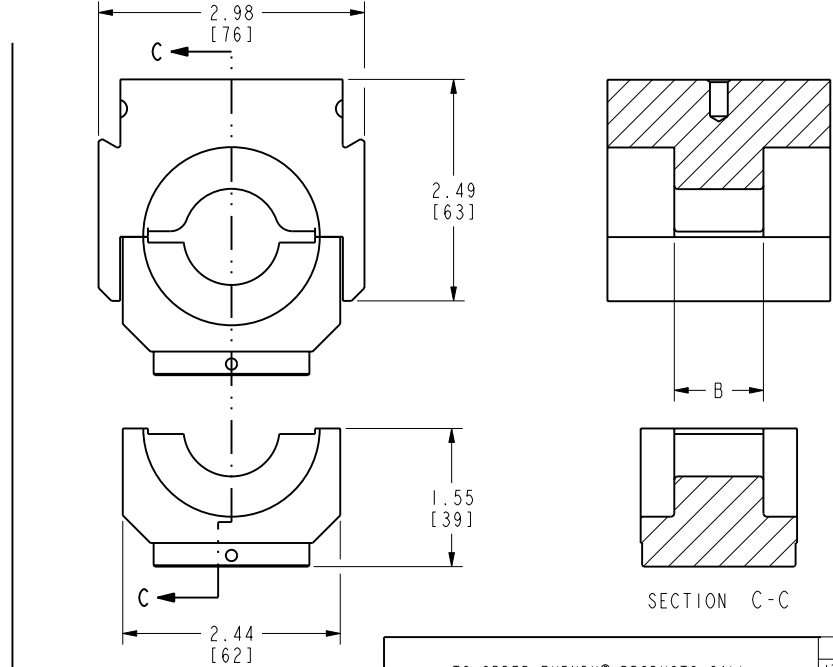
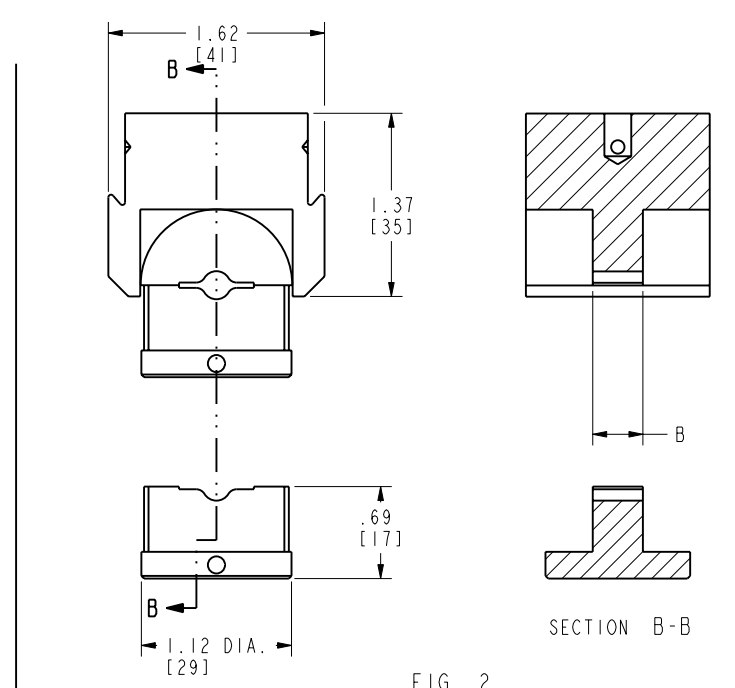
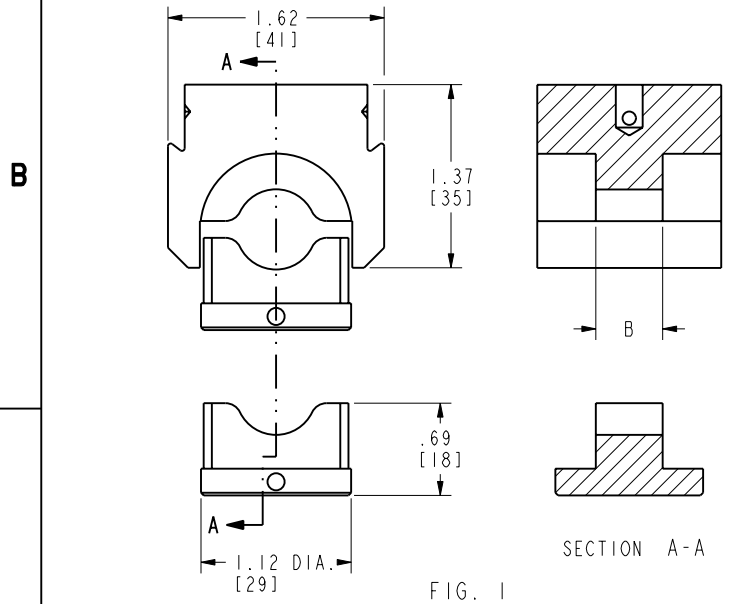
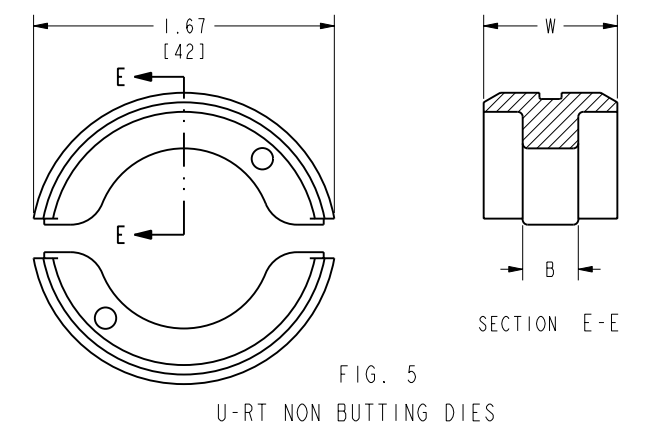
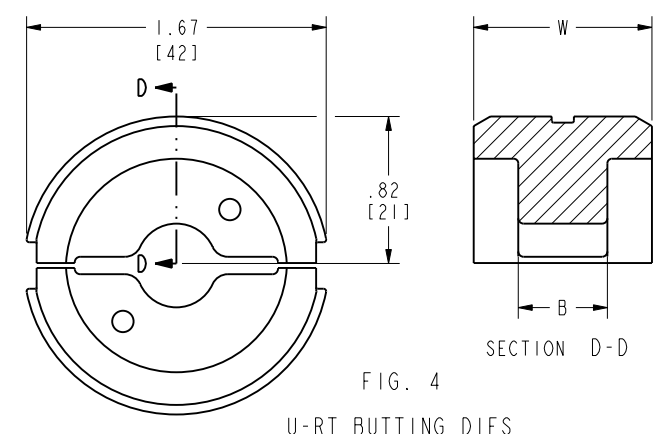


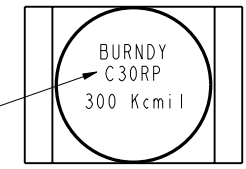
CABLE SIZE	HYLUG™ & HYLINK™ CATALOG NO.		DIE CATALOG NO.		NO. OF CRIMPS PER END	FIG. NO.	B	REFERENCE	Y35&Y39 HYPRESS™		REFERENCE	FIG. NO.	B	W
	STANDARD CONCENTRIC CABLE - SOFT MED. HARD DRAWN. HARD DRAWN	SOLID WIRE SOFT MED. HARD DRAWN HARD DRAWN	HEAD DIE	RAM DIE					DIE SETS	NO. OF CRIMPS PER END				
#8 STR.	#8 SOL. & #6 SOL.	YAV8CL	YSV8CL	A8CRH	A8CRP	1	2	.38 [10]	U8CRT	1	PD078005-01	4	.38 [10]	1.00 [25]
#6 STR.	#5 SOL.	YA6CL	YS6CL	A5CRH	A5CRP	2	2	.38 [10]	U5CRT	2			.38 [10]	1.00 [25]
#5 STR.	#4 SOL.	YA5CL	YS5CL	A4CRH	A4CRP	2	2	.38 [10]	U4CRT	2			.38 [10]	1.00 [25]
#4 STR.	#3 SOL.	YA4CL	YS4CL	A3CRH	A3CRP	2	2	.38 [10]	U3CRT	2			.38 [10]	1.00 [25]
#3 STR.	#2 SOL.	YA3CL	YS3CL	A2CRH	A2CRP	2	2	.38 [10]	U2CRT	2			.38 [10]	1.00 [25]
#2 STR.	#1 SOL.	YA2CL	YS2CL	A1CRH	A1CRP	2	2	.38 [10]	U1CRT	2			.38 [10]	1.00 [25]
1/0 STR.	1/0 SOL.	YA1CL	YS1CL	A1CRH	A1CRP	2	2	.38 [10]	U25RT	2			.50 [13]	1.00 [25]
2/0 STR.	2/0 SOL.	YA25L	YS25L	A25RH	A25RP	2	2	.50 [13]	U26RT	2			.50 [13]	1.00 [25]
3/0 STR.	3/0 SOL.	YA26L	YS26L	A26RH	A26RP	2	2	.50 [13]	U27RT	2			.50 [13]	1.00 [25]
4/0 STR.	4/0 SOL.	YA27L	YS27L	A27RH	A27RP	2	2	.50 [13]	U28RT	2			.50 [13]	1.00 [25]
4/0 STR.	--	YA28L	YS28L	A28RH	A28RP	2	1	.50 [13]	U29RT	2			.50 [13]	1.00 [25]
250 Kcmil	--	YA29L	YS29L	A29RH	A29RP	2	1	.50 [13]	U30RT	2			.38 [10]	1.00 [25]
300 Kcmil	--	YA30L	YS30L	A30RH	A30RP	2	1	.38 [10]	U31RT	2			.41 [10]	1.00 [25]
350 Kcmil	--	YA31L	YS31L	A31RH	A31RP	2	1	.41 [10]	U32RT	2			.41 [10]	1.00 [25]
400 Kcmil	--	YA32L	YS32L	A32RH	A32RP	2	1	.41 [10]	U34RT	2			.41 [10]	1.00 [25]
500 Kcmil	--	YA34L	YS34L	A34RH	A34RP	2	1	.41 [10]						
4/0 STR.	--	YA28L	YS28L	C28RH	C28RP	1	3	.75 [19]						
300 Kcmil	--	YA30L	YS30L	C30RH	C30RP	1	3	1.00 [25]						
350 Kcmil	--	YA31L	YS31L	C31RH	C31RP	1	3	1.00 [25]						
400 Kcmil	--	YA32L	YS32L	C32RH	C32RP	1	3	1.00 [25]						
500 Kcmil	--	YA34L	YS34L	C34RH	C34RP	1	3	1.00 [25]						
650 Kcmil	--	YA37L	YS37L	C37RH	C37RP	1	3	1.25 [32]						
750 Kcmil	--	YA39L	YS39L	C39RH	C39RP	2	3	1.06 [27]	U39RT	2	PD078014-01	5	.28 [7]	1.38 [35]
1000 Kcmil	--	YA44L	YS44L	C44RH	C44RP	2	3	.94 [24]						
1500 Kcmil	--	YA46L	YS46L	C46RH	C46RP	3	3	.75 [19]						
450 Kcmil	--	YA33L	YS33L	C33RH	C33RP	1	3	.88 [22]	U33RT	2	PD078005-01	4	.38 [10]	1.00 [25]
550 Kcmil	--	YA35L	YS35L	C35RH	C35RP	1	3	1.00 [25]	U35RT	2	PD078006-01	4	.46 [12]	1.38 [35]
600 Kcmil	--	YA36L	YS36L	C36RH	C36RP	1	3	.78 [20]	U36RT	2	PD078014-01	5	.31 [8]	.50 [13]
800 Kcmil	--	YAB402GI	YS40T	C40RH	C40RP	3	3	1.00 [25]						

REV	DATE	DESCRIPTION	ECO	BY	C'H'K.
A	08/21/2012 00:00:00 AM	REDRAW IN PROE	28543	DD	MB



NOTES:

- A-R DIES USED IN Y34A HYPRESS™
C-R DIES USED IN Y48B HYPRESS™
- IF HIGHEST REVISION OF THIS SALES PRINT IS AFFECTED UPDATE WSA208758 TO INCLUDE NEW REV.
- DIMENSIONS IN BRACKETS [] ARE IN MILLIMETERS, ROUNDED OFF TO THE NEAREST MILLIMETER, UNLESS OTHERWISE NOTED. METRIC DIMENSIONS ARE FOR REFERENCE ONLY.



TO ORDER BURNDY® PRODUCTS CALL
UNITED STATES
1-800-346-4175 (LONDONDERRY, NH)
CANADA:
1-800-361-6975 (QUEBEC)
1-800-387-6487 (ALL OTHER PROVINCES)
FOR PRODUCT INFO: <http://www.burndy.com>

CIRCULAR DIES	
ITEM NO:	N/A
CAT. NO:	A-R, C-R, U-RT
DRAWN BY:	T.E.D 07/09/64
CHECKER:	--
DSN APPVL:	--
MFG APPVL:	--
QA APPVL:	--
MKT APPVL:	--
PROD FAM:	--
PROJECT #:	--
DOCUMENT TYPE:	Sales
REL LEVEL:	Released
SCALE:	1:1
DRAWING NO:	SD014385-01
REV:	A
SHEET:	1 OF 1

REV: PE0200