

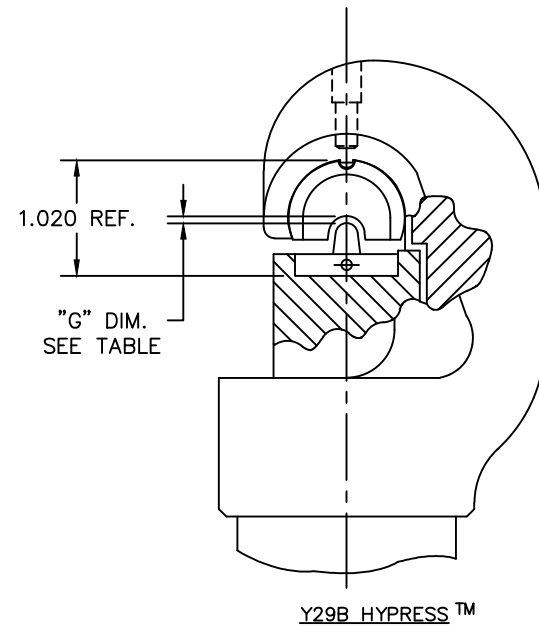


DIE SELECTION CHART

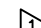
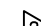
FOR AIRCRAFT CONNECTORS #8 & LARGER
FOR USE IN Y29NC, Y29NSC, Y29NSBC,
Y29B & Y29BN HYPRESSES™

AIRCRAFT CONNECTOR SIZE	DIE	NON-INSULATED COPPER CONNECTORS		COPPER INSULUGS™
		YAV YSV 	YBM	YAEV
8	NEST	DV8L-1	DV8B-1	DEV8L
	INDENTOR	Y29PL	Y29PBL-1	Y29PLE-1
6	NEST	DV6L	DV6L	DEV6L
	INDENTOR	Y29PL	Y29PBL-4	Y29PLE-1
4	NEST	DV4L	DV4BL	DEV4L
	INDENTOR	Y29PL	Y29PBL	Y29PLE-1
2	NEST	DV2L	DV2BL	DEV2L
	INDENTOR	Y29PL	Y29PL	Y29PLE
1	NEST	DV1L	DV1BL	DV26L
	INDENTOR	Y29PL	Y29PL	Y29PLE
1/0	NEST	DV25L	DV25BL-1	DEV25L
	INDENTOR	Y29PR	Y29PR	Y29PLE
2/0	NEST	DV26L	DV28L 	DEV26L
	INDENTOR	Y29PR	Y29PR	Y29PLE

"G" DIMENSIONS			
DIE	CATALOG NO.	MAX.	MIN.
NEST	DV8L	.107	.075
INDENTOR	Y29PL		
NEST	DV8L-1	.160	.128
INDENTOR	Y29PL		
NEST	DV8B	.198	.166
INDENTOR	Y29PBL-4		
NEST	DEV8L	.155	.123
INDENTOR	Y29PLE-1		
NEST	DV8B-1	.181	.149
INDENTOR	Y29PBL-1		
NEST	DV6L	.133	.101
INDENTOR	Y29PL		
NEST	DV6L	.222	.190
INDENTOR	Y29PBL-4		
NEST	DEV6L	.169	.137
INDENTOR	Y29PLE-1		
NEST	DV4L	.195	.163
INDENTOR	Y29PL		
NEST	DV4BL	.218	.186
INDENTOR	Y29PL		
NEST	DV4BL	.287	.255
INDENTOR	Y29PBL		
NEST	DEV4L	.190	.158
INDENTOR	Y29PLE-1		
NEST	DV2L	.225	.193
INDENTOR	Y29PL		
NEST	DV2BL	.282	.250
INDENTOR	Y29PL		
NEST	DEV2L	.216	.184
INDENTOR	Y29PLE		
NEST	DV1L	.251	.219
INDENTOR	Y29PL		
NEST	DV1BL	.307	.275
INDENTOR	Y29PL		
NEST	DV1BL	.244	.212
INDENTOR	Y29PA		
NEST	DV25L	.276	.244
INDENTOR	Y29PR		
NEST	DV25BL-1	.328	.296
INDENTOR	Y29PL		
NEST	DV25L	.213	.181
INDENTOR	Y29PA		
NEST	DV25BL-1	.265	.233
INDENTOR	Y29PA		
NEST	DEV25L	.326	.294
INDENTOR	Y29PLE		
NEST	DV26L	.297	.265
INDENTOR	Y29PR		
NEST	DEV26L	.346	.314
INDENTOR	Y29PLE		
NEST	DV26L	.234	.202
INDENTOR	Y29PA		
NEST	DV26L	.297	.265
INDENTOR	Y29PLE		
NEST	DV27L	.373	.341
INDENTOR	Y29PR		
NEST	DV28L	.366	.334
INDENTOR	Y29PR		



NOTES:

-  RACK TYPE HYPRESS™ TOOLS, Y29N6C OR Y29NSBC, ARE NOT RECOMMENDED FOR INSTALLING HYLINKS™ OR RIGHT ANGLE HYLUGS™.
-  HYPRESS™ TOOLS Y29NC, Y29NSC & Y29NSBC CANNOT BE USED WITH THESE NESTS.

<p>TO ORDER BURNDY® PRODUCTS CALL</p> <p>UNITED STATES: 1-800-346-4175 (LONDONDERRY, NH)</p> <p>CANADA: 1-800-361-6975 (QUEBEC) 1-800-387-6487 (ALL OTHER PROVINCES)</p> <p>FOR PRODUCT INFO: http://www.burndy.com</p>	NEST DIES (AIRCRAFT)	
	ITEM NO: N/A	
	CAT NO: DV-L (SEE TABLE)	
	SCALE: N/A	
	DRAWN BY: J.V.W. 07/12/51	
	CHECKER: R.R.G. 07/17/51	
	DSN APPVL: M.A.L. 08/05/51	
	MFG APPVL: ---	
	QC APPVL: D. VARIO 07/17/95	
	MKT APPVL: C. CHADBOURNE 07/17/95	
PROJ FAM: ---		
PROJECT #: ---		
DOCUMENT TYPE: Sales		
REL LEVEL: AutoCAD		
	DRAWING NO	REV
	SD022746	D
	SHEET 1 OF 2	

DRAWING NO.
SD022746

CATALOG NUMBER	FIG.	A	B	C ±.005	E	H	J	K
DV8L-1	3	.13	.39	.429	.76	15°	.62	.46
DV8B	1	.15	.50	.427	.81	10°	---	---
DV8B-1	1	.15	.50	.485	.81	7°	---	---
DV6L	1	.17	.44	.403	.78	5°	---	---
DV6L-1	3	.17	.44	.403	.78	5°	.66	.45
DV4L	1	.19	.44	.341	.78	5°	---	---
DV4BL	1	.23	.50	.318	.81	5°	---	---
DV2L	1	.23	.50	.311	.81	5°	---	---
DV2BL	1	.26	.62	.254	.88	5°	---	---
DV1L	1	.26	.50	.285	.81	5°	---	---
DV1BL	1	.28	.62	.229	.88	5°	---	---
DV25L	2	.28	.56	.260	---	5°	---	---
DV25BL1	1	.34	.69	.208	.91	10°	---	---
DV26L	2	.32	.69	.239	---	5°	---	---
DV27L	2	.35	.68	.163	---	5°	---	---
DV28L	2	.38	.75	.170	---	15°	---	---
DEV8L	1	.17	.39	.379	.76	5°	---	---
DEV6L	1	.19	.39	.365	.76	5°	---	---
DEV4L	1	.23	.44	.344	.78	5°	---	---
DEV2L	1	.28	.50	.320	.81	15°	---	---
DEV25L	2	.34	.56	.210	---	5°	---	---
DEV26L	2	.37	.68	.190	---	5°	---	---

CATALOG NUMBER	FIG.	A ±.006	G	H ±.006	R
Y29PLE	4	.873	.18	.500	.19
Y29PLE-1	4	.873	.18	.502	.14
Y29PA	4	.873	.18	.563	.12
Y29PL	4	.873	.18	.500	.19
Y29PR	4	.873	.18	.500	.12
Y29PBL-1	4	.873	.18	.370	.07
Y29PBL-4	4	.873	.18	.411	.07
Y29PBL	4	.873	.18	.431	.07

NOTES:

- 1 'C' DIMENSION TO BE MEASURED TANGENT TO CYLINDRICAL SURFACE.
- 2 CONSULT FACTORY FOR AVAILABILITY.

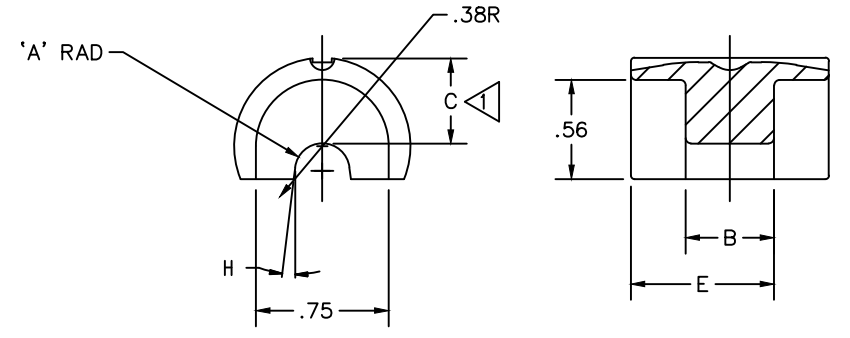


FIG. 1

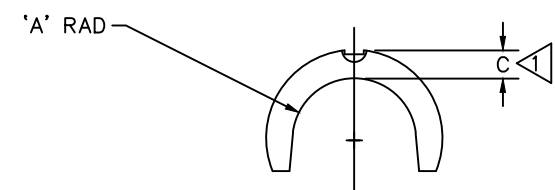


FIG. 2

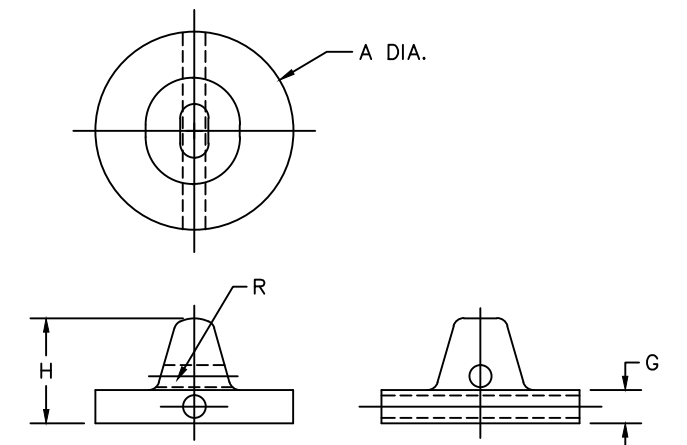


FIG. 4

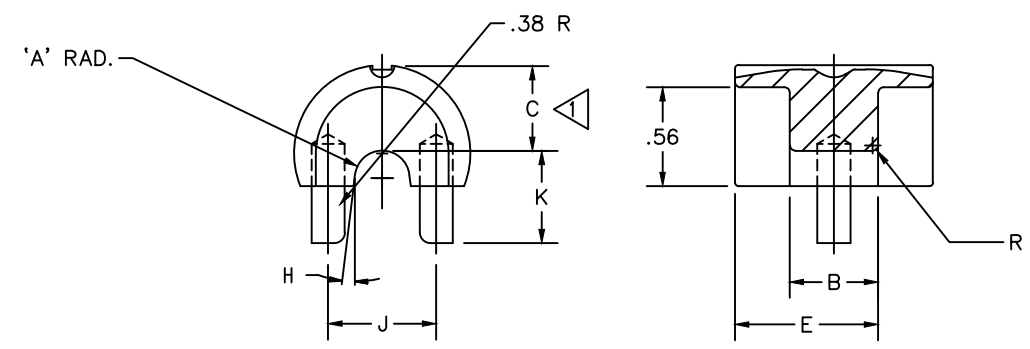
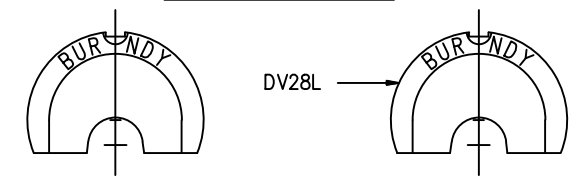


FIG. 3

MATERIAL
HEAT TREATED STEEL
FINISH
BLACKEN
REFERENCES
SA18512

SUPERSEDES DC-24480 1, SC-22747 0
C-13530 5, SC-22746-0, SC-16678 3

TYPICAL LETTERING



BOTH ENDS STAMPED BURNDY
CAT. NO. STAMPED ON SIDE

TO ORDER BURNDY® PRODUCTS CALL
UNITED STATES:
1-800-346-4175 (LONDONDERRY, NH)
CANADA:
1-800-361-6975 (QUEBEC)
1-800-387-6487 (ALL OTHER PROVINCES)
FOR PRODUCT INFO: <http://www.burndy.com>

NEST DIES (AIRCRAFT)	
ITEM NO:	N/A
CAT NO:	DB-L (TABLE)
SCALE:	N/A
DRAWN BY:	N PRESSMAN 9/22/95
CHECKER:	J MICHAUD 9/25/95
DSN APPVL:	J MURRAY 7/14/95
MFG APPVL:	---
QC APPVL:	D VARIO 7/17/95
MKT APPVL:	C CHADBOURNE 7/17/95
PROJ FAM:	---
PROJECT #:	---
DOCUMENT TYPE:	Sales
REL LEVEL:	AutoCAD
DRAWING NO	SD022746
REV	D
SIZE	D
SHEET	2 OF 2