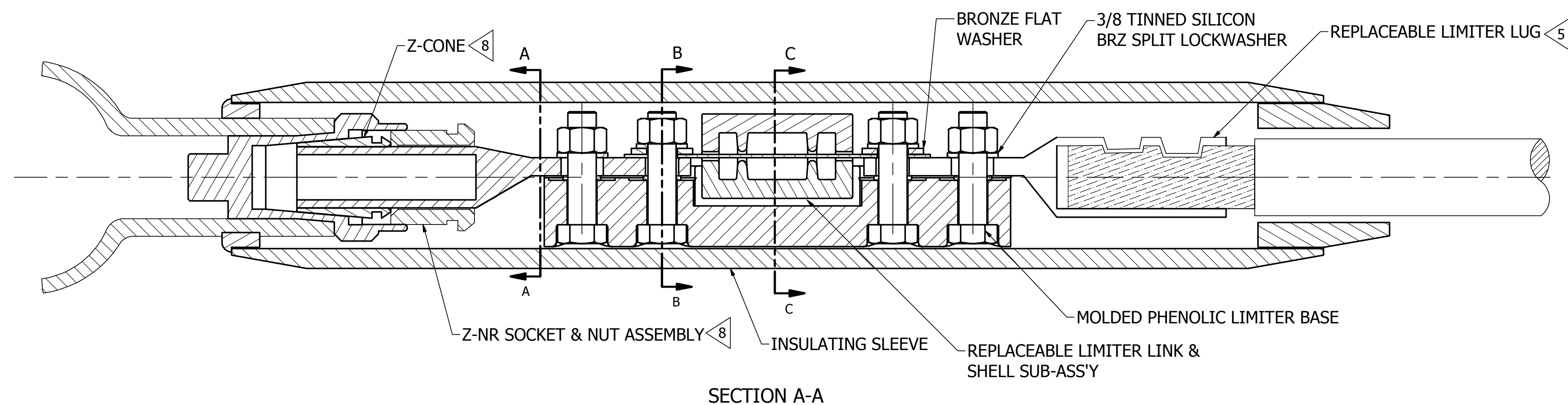
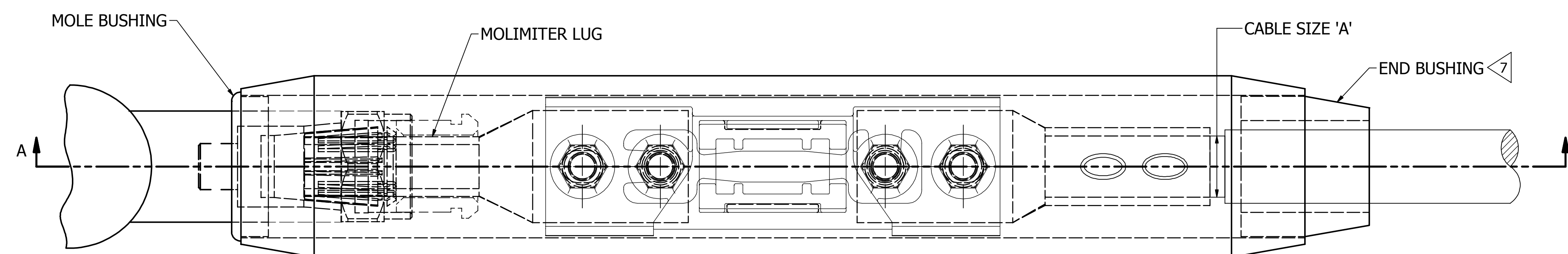
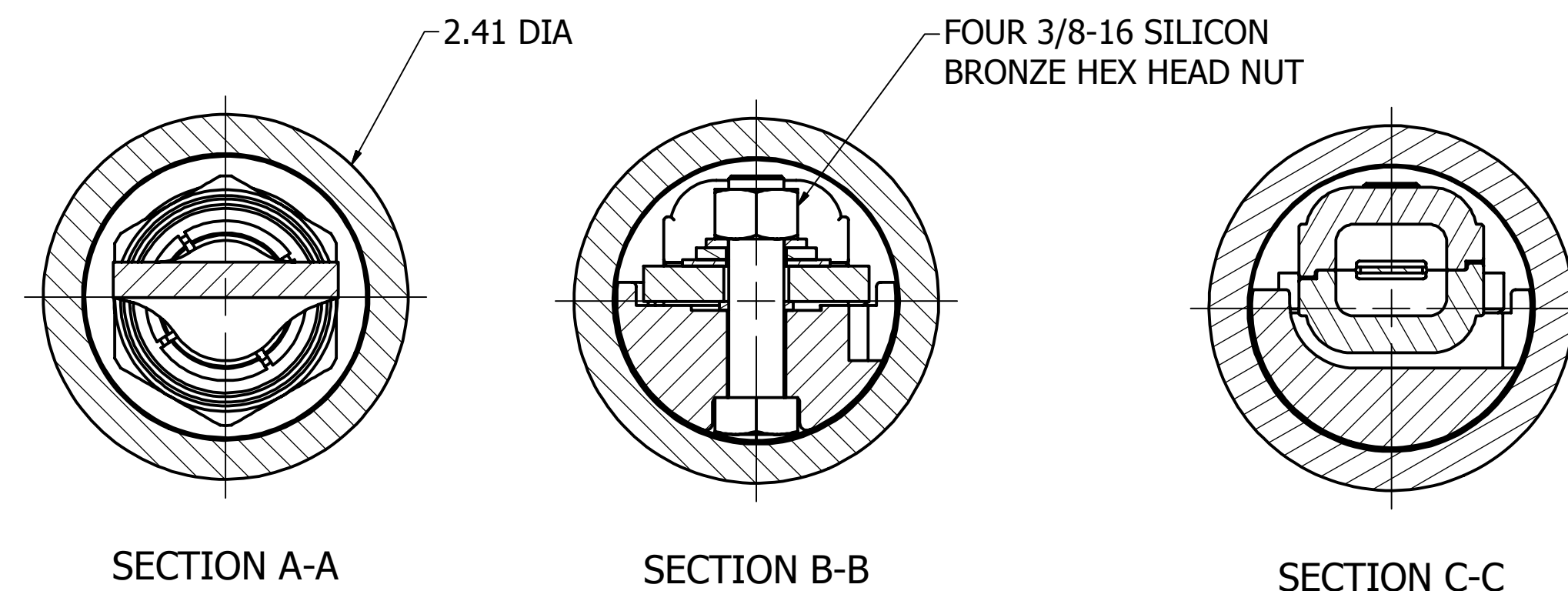


CATALOG NUMBER <sup>1</sup> / <sub>2</sub>	CABLE SIZE 'A'	SOCKET AND NUT ASSEMBLY CAT. NO. <sup>6</sup>	CONE CAT. NO. <sup>6</sup>	REP. LIMITER LINK AND SHELL ASSEMBLY <sup>1</sup>	INSTALLATION TOOL INDEX NUMBER
LYM6CC	6 STR. (.184)	Z28NR	Z2828	LF1006	94
LYM4CC	4 STR. (.232)	Z28NR	Z2828	LF1010	95
LYM2CC	2 STR. (.291)	Z28NR	Z2828	LF1014	97
LYM1CC	1 STR. (.330)	Z28NR	Z2828	LF1014	98
LYM25C	1/0 STR. (.373)	Z28NR	Z2828	LF1025	99
LYM26C	2/0 STR. (.416)	Z28NR	Z2828	LF1025	100
LYM27C	3/0 STR. (.470)	Z28NR	Z2828	LF2019	101
LYM28C	4/0 STR. (.528)	Z28NR	Z2828	LF2027	15
LYM29C	250 Kcmil (.575)	Z29NR	Z2929	LF2027	16
LYM30C	300 Kcmil (.630)	Z30NR	Z3030	LF2038	17
LYM31C	350 Kcmil (.681)	Z32NR	Z3232	LF2038	18
LYM32C	400 Kcmil (.728)	Z32NR	Z3232	LF2065	19
LYM34C	500 Kcmil (.814)	Z34NR	Z3434	LF2065	20
LYM36C	600 Kcmil (.893)	Z34NR	Z3434	LF2065	22

REV	DATE	DESCRIPTION	ECO	BY	C'H'K.
D	03/08/2014	DRAWING RELEASED	35269	MM	NJS



NOTES:

- <sup>1</sup> THESE LF- ASSEMBLIES ARE STANDARD WHEN AMP. RATING IS NOT SPECIFIED BY CUSTOMER. WHEN AMP. RATING IS SPECIFIED, NECESSITATING OTHER THAN STANDARD LF- ADD AMP. RATING AFTER 'C' IN CATALOG NUMBER OF LYM-C. CATALOG NO. FOLLOWED BY '00' INDICATES NO AMPERAGE AND THE MOLIMITER™ ASSEMBLY IS SUPPLIED WITHOUT THE 'REPLACEABLE LIMITER LINK AND SHELL' SUB ASSEMBLY. TYP. CAT. NO. L YM- -C-00.
- <sup>2</sup> WHEN CONNECTOR IS FURNISHED WITHOUT RUBBER INSULATION, DROP THE "C" AT THE END OF CATALOG NUMBER.
- 3. MATERIAL: AS NOTED
- 4. FINISH: METAL PARTS - TIN PLATED  
HARDWARE - TIN PLATED
- <sup>5</sup> ONE INDENTATION USED ON 250 Kcmil CABLE OR SMALLER  
TWO INDENTATIONS USED ON 300 Kcmil OR LARGER.
- <sup>6</sup> CATALOG NUMBER LYM MOLIMITER™ AND ASSEMBLY DOES NOT INCLUDE THESE PARTS
- <sup>7</sup> CUSTOMER TO SPECIFY DIAMETER OVER INSULATION WHEN ORDERING TO INSURE RECEIPT OF CORRECT END PLUG.
- <sup>8</sup> MOLE, CONE, AND SOCKET & NUT ASSEMBLY ARE NOT INCLUDED IN CAT. NO. AND MUST BE ORDERED SEPARATELY.

TO ORDER BURNDY® PRODUCTS CALL		MOLIMITER™-REPLACEABLE LINK	
UNITED STATES 1-800-346-4175 (LONDONDERRY, NH)		ITEM NO: N/A	
CANADA: 1-800-361-6975 (QUEBEC) 1-800-387-6487 (ALL OTHER PROVINCES)		CAT. NO: LYM-(GENERAL)	
FOR PRODUCT INFO: <a href="http://www.burndy.com">http://www.burndy.com</a>		DRAWN BY: R.S. 11/3/1952	
		CHECKER: B.M. 4/2/1953	
		DSN APRVL: D BOUDREAU 3/12/2014	
		MFG APRVL: --	
		QA APRVL: T WATTS 3/11/2014	
		MKT APRVL: S MOIST 3/12/2014	
		PROD FAM: UTILITY	
		PROJECT #:	
		SIZE	
		DRAWING NO	
		REV	
		SD027539-01	
		SHEET 1 OF 1	
		D	