

REV	DATE	DESCRIPTION	ECO	BY	CHK.
D	2019-11-18 00:00:00 EST	ADDED NOTE (13)	53047	JL	TR

CATALOG NUMBER	STRANDED COPPER CONDUCTOR ACCOMMODATED			BOLT SIZE	METRIC BOLT SIZE	DIMENSIONS								
	CODE (AWG)	NAVY	METRIC SIZE (CLASS 2)			B	C	E	K DIA.	L	N	O.D.	T REF.	Z MIN.
YA252LN	1/0 AWG	100	-----	1/2	M12	.88 [22]	.83 [21]	1.75 [44]	.56 [14]	4.32 [110]	.63 [16]	.51 [13]	.11 [3]	.64 [16]
YA26L2TC14	2/0 AWG	125	70mm <sup>2</sup> STR [11]	1/4	M6	.94 [24]	↑ ↓	.62 [16]	.27 [7]	2.64 [67]	.31 [8]	↑ ↓	.12 [3]	.33 [8]
YA26L2TC14E2				1/4	M6	.75 [19]		.27 [7]	2.76 [70]	.31 [8]	.33 [8]			
YA26L2TC14E1				1/4	M6	1.00 [25]		.27 [7]	3.01 [76]	.31 [8]	.33 [8]			
YA262L				5/16	-----	.88 [22]		.33 [8]	2.95 [75]	.34 [9]	.36 [9]			
YA26L2TC38				3/8	-----	1.00 [25]		.40 [10]	3.20 [81]	.41 [10]	.42 [11]			
YA262LN				1/2	M12	.94 [24]		.83 [21]	1.75 [44]	.56 [14]	4.39 [112]		.63 [16]	.56 [14]

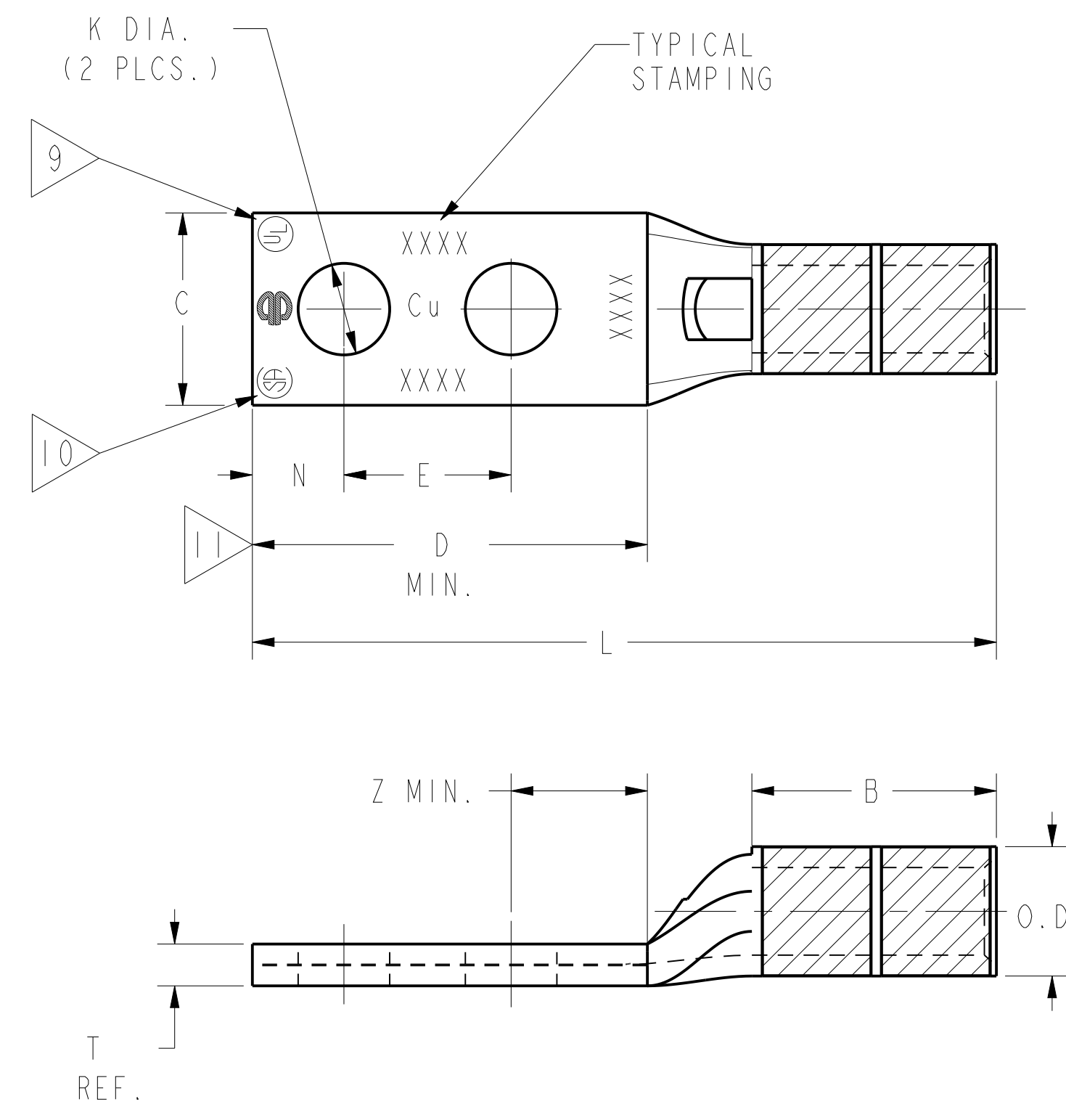
CONNECTOR SIZE	TOLERANCES						
	B	C	E	K DIA.	L	N	O.D.
-8C THRU -25	±.06	±.04	±.02	±.02	±.09	±.03	±.01
-26 THRU -34	±.08	±.04	±.02	±.02	±.12	±.03	±.01
-35 AND UP	±.09	±.06	±.02	±.02	±.15	±.06	±.01

TOLERANCE BLOCK

INSTALLATION TOOLING (# CRIMPS)															
CATALOG NUMBER	COLOR CODE	DIE INFORMATION		MECHANICAL				HYDRAULIC						DIELESS (# CRIMPS)	WIRE STRIP LENGTH
		DIE INDEX	TYPE	YIMRTC	OUR840	MD6 MD7	MD6--R2 MD7-34R	Y34A Y34B Y34BH	Y35,Y39 Y750, PAT750	Y46 PAT46	Y45	Y48B	Y60BHU		
YA252LN	PINK	12	PINK DIE SET	-----	X25RT(2)	W25RT(2) W25VT(2)	W25RT(2) W25VT(2)	A25R(1)	U25RT(1) U2CABT(1)	U25RT(1) U2CABT(1)	U25RT(1) U2CABT(1)	-----	-----	MECHANICAL: MRC840(2) MY29-3(1) MY29-11(1)	15/16"
		348	NEST	-----	-----	-----	-----	B25D(1) A25D(1)	U25D-1(1)	U25D-1(1)	U25D-1(1)	-----	-----		
			INDENTOR	-----	-----	-----	-----	Y34PR	Y34PR	Y34PR	Y34PR	-----	-----		
YA26L2TC14 YA26L2TC14E2 YA26L2TC14E1 YA262L YA26L2TC38 YA262LN	BLACK	13	BLACK DIE SET	-----	X26RT(2)	W26RT(2) W26VT(2)	W26RT(2) W26VT(2)	-----	U26RT(1)	U26RT(1)	U26RT(1)	-----	-----	HYDRAULIC: Y81KFT(1) Y4PC834(1) Y644(1)	1"
			NEST	-----	-----	-----	-----	B26D(1) A26D(1)	U26D-1(1)	U26D-1(1)	U26D-1(1)	-----	-----		
			INDENTOR	-----	-----	-----	-----	Y34PR	Y34PR	Y34PR	Y34PR	-----	-----		

NOTES:

- MATERIAL: COPPER TUBING.
- FINISH: TIN PLATED.
- CATALOG # PT6515 ADAPTOR IS REQUIRED TO USE "U" DIES IN Y45 SERIES TOOLS.
- CATALOG # PUADP-1 ADAPTOR IS REQUIRED TO USE "U" DIES IN Y46 SERIES TOOLS.
- Y35P3 INDENTOR ADAPTOR REQUIRED FOR Y34PR INDENTOR.
- PERMANENT DIE IN TOOLING.
- DIMENSIONS IN BRACKETS [ ] ARE IN MILLIMETERS ROUNDED OFF TO THE NEAREST MILLIMETER, UNLESS OTHERWISE NOTED, AND ARE FOR REFERENCE ONLY.
- FOR USE BY CUSTOMERS THAT HAVE THIS HYPRESS™ NO NEW Y34A HYPRESS™ TOOLS ARE BEING PROCESSED. Y34A USES A--D TYPE NEST DIES.
- CONNECTORS ARE UL LISTED; UNDRILLED VERSIONS ARE NOT UL LISTED.
- CONNECTORS ARE CSA CERTIFIED; UNDRILLED VERSIONS ARE NOT CSA CERTIFIED.
- FOR UNDRILLED VERSIONS ADD SUFFIX "-U" TO END OF CATALOG NUMBER. FOR UNDRILLED VERSIONS, USE D MIN. = N MAX. + E MIN. + Z MIN.
- "X", "W-RT", "W-VT", "U", & "L" DIE SETS ARE COLOR CODED. "A", "B", AND "C" DIES ARE NOT COLOR CODED. NESTS AND INDENTOR TYPE ARE NOT COLOR CODED.
- FINISH: TIN PLATED. THE FOLLOWING SUFFIXES DENOTE OPTIONAL PLATING TYPES. BR = BARE; LD = LEAD; NK = NICKEL; SV = SILVER. ( EXAMPLE: YAV4CL2TC14NK)



REFERENCE: SE209512  
SUPERSEDES: SC91923

TO ORDER BURNDY® PRODUCTS CALL		HYLUG™ COPPER	
UNITED STATES 1-800-346-4175 (LONDONDERRY, NH)		ITEM NO: N/A	CAT. NO: YA--2L-, YA--2TC-- (TABLE)
CANADA: 1-800-361-6975 (QUEBEC) 1-800-387-6487 (ALL OTHER PROVINCES)		DRAWN BY: J.MICHAUD 11/18/94	CHECKER: D.FILLION 11/18/94
FOR PRODUCT INFO: <a href="http://www.burndy.com">http://www.burndy.com</a>		DSN APPVL: C.PALAGI 10/24/94	MFG APPVL: --
		GA APPVL: C.ACKERMAN 11/17/94	MKT APPVL: T.NELSON 11/10/94
		PROD FAM: CM&R COMPRESSION	DRAWING NO: SD035209
		PROJECT #: --	SCALE: NTS
		DOCUMENT TYPE: Sales	REV: D
		REL LEVEL: Released	SHEET 7 OF 18

REV: PE0200