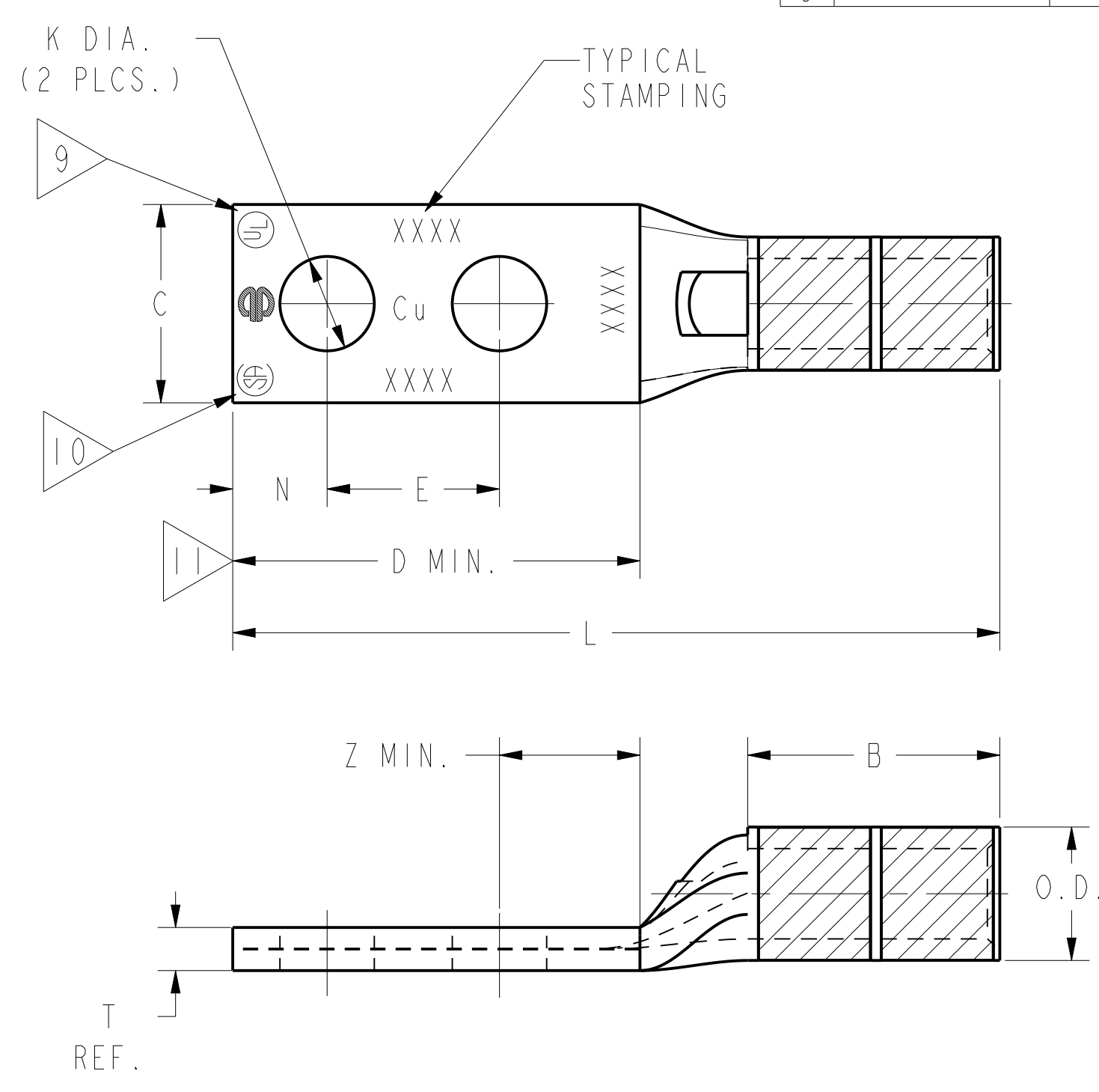


CATALOG NUMBER	STRANDED COPPER CONDUCTOR ACCOMMODATED			BOLT SIZE	METRIC BOLT SIZE	DIMENSIONS								
	CODE (AWG)	NAVY	METRIC SIZE (CLASS 2)			B	C	E	K DIA.	L	N	O.D.	T REF.	Z MIN.
YA31L2TC14E2	350 kcmil	350	-----	1/4	M6	1.06 [27]	1.29 [33]	.75 [19]	.27 [7]	3.07 [78]	.31 [8]	.88 [22]	.18 [5]	.33 [8]
YA31L2NTC516				5/16	-----	.75 [19]	.33 [8]	4.13 [105]	.34 [9]					.36 [9]
YA312L				3/8	-----	1.06 [27]	.40 [10]	3.57 [91]	.41 [10]					.42 [11]
YA31L2TC38				3/8	-----	1.00 [25]	.40 [10]	3.51 [89]	.41 [10]					.42 [11]
YA31L2TC12				1/2	M12	1.25 [32]	.52 [13]	4.01 [102]	.53 [13]					.55 [14]
YA312L12				1/2	M12	1.50 [38]	.52 [13]	4.26 [108]	.53 [13]					.55 [14]
YA312LN				1/2	M12	1.06 [27]	1.29 [33]	1.75 [44]	.56 [14]	4.70 [119]	.62 [16]	.88 [22]	.18 [5]	.64 [16]
YA322L	400 kcmil	400	-----	3/8	-----	1.19 [5]	1.40 [36]	1.06 [27]	.40 [10]	3.75 [95]	.41 [10]	.95 [24]	.19 [5]	.42 [11]
YA32L2TC38				3/8	-----	1.00 [25]	.40 [10]	3.69 [94]	.41 [10]	.95 [24]	.19 [5]	.42 [11]		
YA32L2TC38E5				3/8	-----	1.06 [27]	.40 [10]	3.75 [95]	.41 [10]	.95 [24]	.19 [5]	.42 [11]		
YA322LN				1/2	M12	1.19 [5]	1.40 [36]	1.75 [44]	.56 [14]	4.88 [124]	.63 [16]	.95 [24]	.19 [5]	.64 [16]
YA322LNB				1/2	M12	---	---	---	---	---	---	---	---	---
YA322LNBU				1/2	M12	---	---	---	---	---	---	---	---	---



INSTALLATION TOOLING (# CRIMPS)

CATALOG NO.	COLOR CODE	DIE INFORMATION		MECHANICAL				HYDRAULIC					DIELESS (# CRIMPS)	WIRE STRIP LENGTH		
		DIE INDEX	TYPE	YIMRTC 6	OUR840	MD6 MD7	MD6--R2 MD7-34R	Y34A Y34B Y34BH 8	Y35, Y39 Y750, PAT750 5	Y46 PAT46 4 5	Y45 3 5	Y48B			Y60BHU	
YA31-L SERIES	RED	18	RED DIE SET	-----	-----	-----	W31RT(2) W31VT(2)	-----	U31RT(2) U29ART(2)	U31RT(2) U29ART(2)	U31RT(2) U29ART(2)	U31RT(2) U29ART(2)	C31R(2) C29AR(2)	L31RT(1) L29ART(1)	HYDRAULIC: Y81KFT(2) Y4PC834(2) Y644(1)	1-1/8"
		324	NEST	-----	-----	-----	-----	B31D(1) A31D(1)	U31D-1(1)	U31D-1(1)	U31D-1(1)	U31D-1(1)	C31D(1)	-----		
			INDENTOR	-----	-----	-----	-----	Y34PR	Y34PR	Y34PR	Y34PR	Y34PR	Y48PR	-----		
YA32-L SERIES	BLUE	19	BLUE DIE SET	-----	-----	-----	W32RT(2) W32VT(2)	-----	U32RT(2) U30ART(2)	U32RT(2) U30ART(2)	U32RT(2) U30ART(2)	U32RT(2) U30ART(2)	C32R(1) C30AR(1)	L32RT(1) L30ART(1)	HYDRAULIC: Y81KFT(2) Y4PC834(2) Y644(1)	1-1/4"
		470	NEST	-----	-----	-----	-----	B32D(1) A32D(1)	U32D-1(1)	U32D-1(1)	U32D-1(1)	U32D-1(1)	C32D(1)	-----		
			INDENTOR	-----	-----	-----	-----	Y34PR	Y34PR	Y34PR	Y34PR	Y48PR	-----			

CONNECTOR SIZE	TOLERANCES						
	B	C	E	K DIA.	L	N	O.D.
-8C THRU -25	±.06	±.04	±.02	±.02	±.09	±.03	±.01
-26 THRU -34	±.08	±.04	±.02	±.02	±.12	±.03	±.01
-35 AND UP	±.09	±.06	±.02	±.02	±.15	±.06	±.01

- NOTES:
- MATERIAL: COPPER TUBING.
 - FINISH: TIN PLATED.
 - CATALOG # PT6515 ADAPTOR IS REQUIRED TO USE "U" DIES IN Y45 SERIES TOOLS.
 - CATALOG # PUADP-1 ADAPTOR IS REQUIRED TO USE "U" DIES IN Y46 SERIES TOOLS.
 - Y35P3 INDENTOR ADAPTOR REQUIRED FOR Y34PR INDENTOR.
 - PERMANENT DIE IN TOOLING.
 - DIMENSIONS IN BRACKETS [] ARE IN MILLIMETERS ROUNDED OFF TO THE NEAREST MILLIMETER, UNLESS OTHERWISE NOTED, AND ARE FOR REFERENCE ONLY.
 - FOR USE BY CUSTOMERS THAT HAVE THIS HYPRESS™ NO NEW Y34A HYPRESS™ TOOLS ARE BEING PROCESSED. Y34A USES A--D TYPE NEST DIES.
 - CONNECTORS ARE UL LISTED; UNDRILLED VERSIONS ARE NOT UL LISTED.
 - CONNECTORS ARE CSA CERTIFIED; UNDRILLED VERSIONS ARE NOT CSA CERTIFIED.
 - FOR UNDRILLED VERSIONS ADD SUFFIX "-U" TO END OF CATALOG NUMBER. FOR UNDRILLED VERSIONS, USE D MIN. = N MAX. + E MIN. + Z MIN.
 - "X", "W-RT", "W-VT", "U", & "L" DIE SETS ARE COLOR CODED. "A", "B", AND "C" DIES ARE NOT COLOR CODED. NESTS AND INDENTOR TYPE ARE NOT COLOR CODED.
 - FINISH: TIN PLATED. THE FOLLOWING SUFFIXES DENOTE OPTIONAL PLATING TYPES. BR = BARE; LD = LEAD; NK = NICKEL; SV = SILVER. (EXAMPLE: YAV4CL2TC14NK)

TOLERANCE BLOCK

CATALOG NO: YA312L12
SUPERSEDES: SD29008

TO ORDER BURNDY® PRODUCTS CALL		HYLUG™ COPPER	
UNITED STATES 1-800-346-4175 (LONDONDERRY, NH)		ITEM NO: N/A	
CANADA: 1-800-361-6975 (QUEBEC) 1-800-387-6487 (ALL OTHER PROVINCES)		CAT. NO: YA--2L-, YA--2TC- (TABLE)	
FOR PRODUCT INFO: http://www.burndy.com		DRAWN BY: J.MICHAUD 11/18/94	
		CHECKER: D.FILLION 11/18/94	
		DSN APPVL: C.PALAGI 10/24/94	
		MFG APPVL: N/A --	
		QA APPVL: C.ACKERMAN 11/17/94	
		MKT APPVL: T.NELSON 11/10/94	
		SCALE: NTS	
		DRAWING NO	
		SD035209	
		SHEET 10 OF 18	
		REV	
		D	

REV: PEO200