

REV.	DATE	DESCRIPTION	ECO	BY	C.H.K.
D	2019-11-18 00:00:00 EST	ADDED NOTE 4133	53047	JL	TR

CATALOG NUMBER	STRANDED COPPER CONDUCTOR ACCOMMODATED			BOLT SIZE	METRIC BOLT SIZE	DIMENSIONS								
	CODE (AWG)	NAVY	METRIC SIZE (CLASS 2)			B	C	E	K DIA.	L	N	O.D.	T REF.	Z MIN.
YA382L	700 kcmil	-----	-----	3/8	-----	1.45 [37]	1.84 [47]	1.13 [29]	.44 [11]	4.48 [114]	.50 [13]	1.25 [32]	.27 [7]	.52 [13]
YA38L2TC38				3/8	-----	1.00 [25]	.40 [10]	4.35 [110]	.50 [13]	1.25 [32]	.52 [13]			
YA38L2TC12				1/2	M12	1.25 [32]	.52 [13]	4.67 [119]	.53 [13]	1.25 [32]	.55 [14]			
YA382LN				1/2	M12	1.45 [37]	1.84 [47]	1.75 [44]	.56 [14]	5.35 [136]	.63 [16]	1.25 [32]	.64 [16]	
YA392L	750 kcmil	-----	375mm ² STR	3/8	-----	1.42 [36]	1.91 [49]	1.13 [29]	.44 [11]	4.48 [114]	.50 [13]	1.30 [33]	.27 [7]	.52 [13]
YA39L2TC38				3/8	-----	1.91 [49]	1.00 [25]	4.36 [111]	.50 [13]	1.30 [33]	.52 [13]			
YA39L2TC12E3				1/2	M12	1.91 [49]	1.50 [38]	4.92 [125]	.53 [13]	1.30 [33]	.55 [14]			
YA392LN				1/2	M12	1.91 [49]	1.75 [44]	5.36 [136]	.63 [16]	1.30 [33]	.64 [16]			
YA39L2TC58				5/8	-----	1.42 [36]	1.91 [49]	1.50 [38]	.69 [18]	5.17 [131]	.66 [17]	1.30 [33]	.27 [7]	.67 [17]

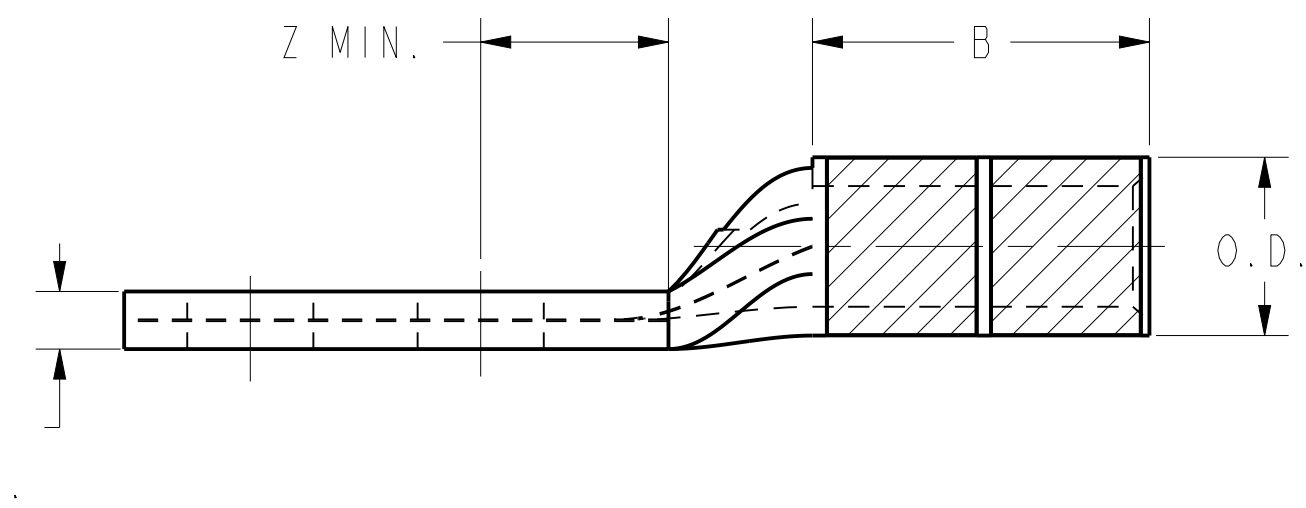
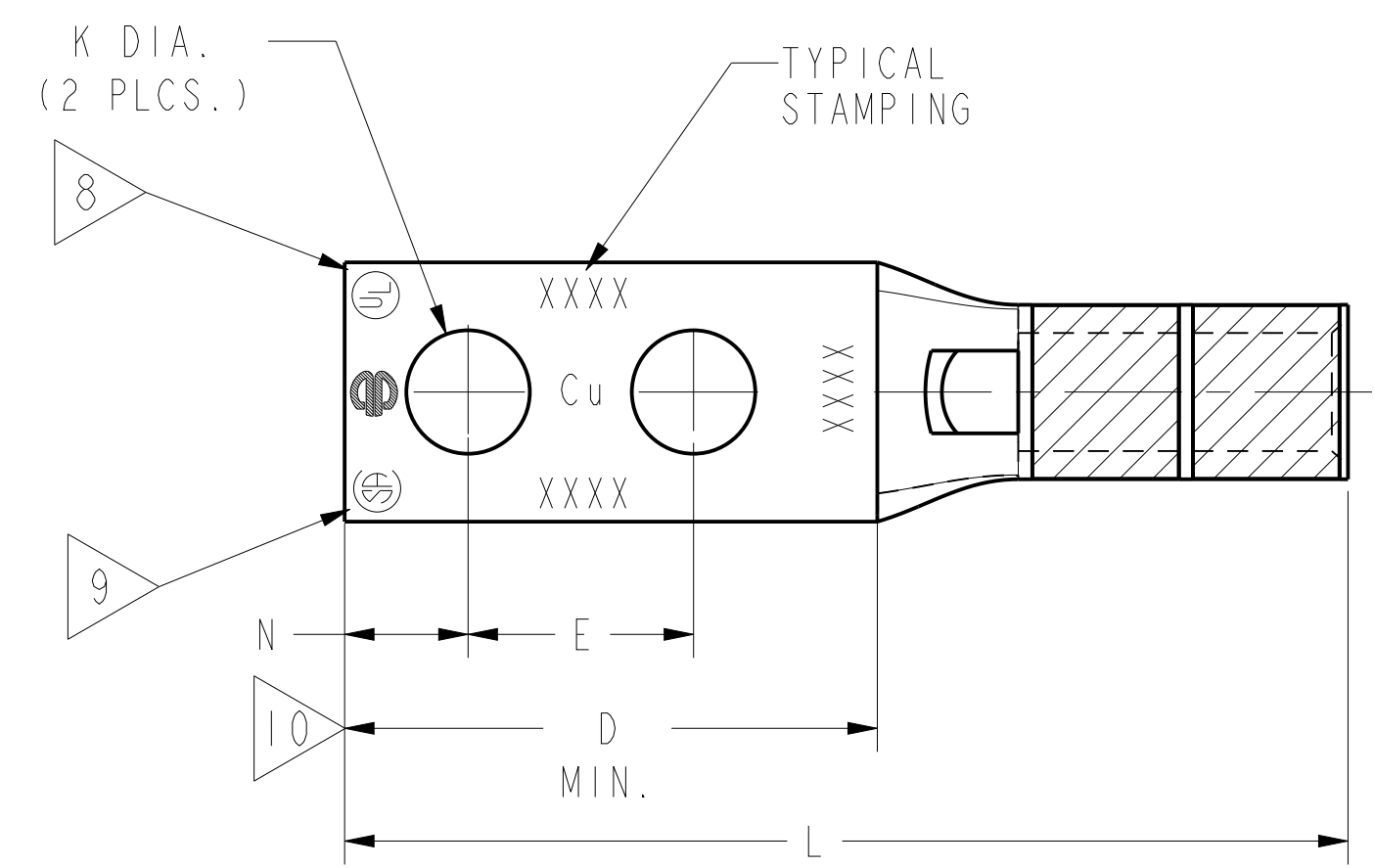
CONNECTOR SIZE	TOLERANCES						
	B	C	E	K DIA.	L	N	O.D.
-8C THRU -25	±.06	±.04	±.02	±.02	±.09	±.03	±.01
-26 THRU -34	±.08	±.04	±.02	±.02	±.12	±.03	±.01
-35 AND UP	±.09	±.06	±.02	±.02	±.15	±.06	±.01

TOLERANCE BLOCK

CATALOG NO.	COLOR CODE	DIE INFORMATION				MECHANICAL RATCHET				HYDRAULIC				DIELESS (# CRIMPS)	WIRE STRIP LENGTH	
		DIE INDEX	TYPE	YIMRTC	OUR840	MD6 MD7	MD6--R2 MD7-34R	Y34A Y34B Y34BH	Y35, Y39 Y750, PAT750	Y46 PAT46	Y45	Y48B	Y60BHU			
YA382L YA38L2TC38 YA38L2TC12 YA382LN	PINK	400	PINK DIE SET NEST INDENTOR	5	-----	-----	-----	-----	-----	U38RT(2)	U38RT(2)	U38RT(2)	-----	L38RT(1)	HYDRAULIC: Y81KFT(3) Y4PC834(3) Y644(1)	1-15/16"
YA392L YA39L2TC38 YA39L2TC12E3 YA392LN YA39L2TC58	BLACK	24	BLACK DIE SET NEST INDENTOR	5	-----	-----	-----	-----	-----	U39RT(2)	U39RT(2) P39RT(2)	U39RT(2) S39RT(2)	C39R(1) C36AR(1)	L39RT(1) L36ART(1)		

NOTES:

- MATERIAL: COPPER TUBING.
- FINISH: TIN PLATED.
- CATALOG # PT6515 ADAPTOR IS REQUIRED TO USE "U" DIES IN Y45 SERIES TOOLS.
- CATALOG # PUADP-1 ADAPTOR IS REQUIRED TO USE "U" DIES IN Y46 SERIES TOOLS.
- PERMANENT DIE IN TOOLING.
- DIMENSIONS IN BRACKETS [] ARE IN MILLIMETERS ROUNDED OFF TO THE NEAREST MILLIMETER, UNLESS OTHERWISE NOTED, AND ARE FOR REFERENCE ONLY.
- FOR USE BY CUSTOMERS THAT HAVE THIS HYPRESS™ NO NEW Y34A HYPRESS™ TOOLS ARE BEING PROCESSED. Y34A USES A--D TYPE NEST DIES.
- CONNECTORS ARE UL LISTED; UNDRILLED VERSIONS ARE NOT UL LISTED.
- CONNECTORS ARE CSA CERTIFIED; UNDRILLED VERSIONS ARE NOT CSA CERTIFIED.
- FOR UNDRILLED VERSIONS ADD SUFFIX "-U" TO END OF CATALOG NUMBER. FOR UNDRILLED VERSIONS, USE D MIN. = N MAX. + E MIN. + Z MIN.
- "X", "W-RT", "W-VT", "U", & "L" DIE SETS ARE COLOR CODED. "A", "B", AND "C" DIES ARE NOT COLOR CODED. NESTS AND INDENTOR TYPE ARE NOT COLOR CODED.
- FINISH: TIN PLATED. THE FOLLOWING SUFFIXES DENOTE OPTIONAL PLATING TYPES. BR = BARE; LD = LEAD; NK = NICKEL; SV = SILVER. (EXAMPLE: YAV4CL2TC14NK)



REFERENCE :SE209512
SUPERSEDES:SC91923

TO ORDER BURNDY® PRODUCTS CALL		HYLUG™ COPPER	
UNITED STATES 1-800-346-4175 (LONDONDERRY, NH)		ITEM NO: N/A	CAT. NO: YA-- (TABLE)
CANADA: 1-800-361-6975 (QUEBEC) 1-800-387-6487 (ALL OTHER PROVINCES)		DRAWN BY: J.MICHAUD 11/16/94	CHECKER: D.FILLION 11/16/94
FOR PRODUCT INFO: http://www.burndy.com		DSN APPVL: C.PALAGI 10/24/94	MFG APPVL: --
		QA APPVL: C.ACKERMAN 11/17/94	MKT APPVL: T.NELSON 11/10/94
		PROD FAM: CM&R COMPRESSION	DRAWING NO: SD035209
		PROJECT #: --	SCALE: NTS
		DOCUMENT TYPE: Sales	REV: D
		REL LEVEL: Released	SHEET 13 OF 18

REV: PEO200