

ALUMOWELD CONDUCTOR RANGE		AWAC		FIG.	HYSPLICE™ CATALOG NUMBER	B	L	O.D.	INSTALLATION DATA					
SIZE	STR.	SIZE	STR.						TOOL INDEX NO.	HYPRESS™ WITH NO. OF CRIMPS PER END				
										5 > Y35, Y750, Y45, Y46 < 4	NO. OF CRIMPS	DIE SET	NO. OF CRIMPS	Y60 DIE SET
7 #10 (.306) 3 #7 (.311)	7 #10 3 #7	4 3	4/3, 3/4 5/2	1	YDS7M10T	4.88 [124]	9.91 [252]	.71 [18]	676 721	U676	8			L721 < 3
7 #9 (.343) 3 #6 (.349)	7 #9 3 #6	2	5/2, 4/3	1	YDS7M9T	5.14 [131]	10.41 [264]	.80 [20]	677	U677	10			
7 #8 (.385) 3 #5 (.392) 252 AWG (.385)	7 #8 3 #5 252 AWG	2	3/4	1	YDS7M8T	6.03 [153]	12.21 [310]	.88 [22]	668 723	U668	13			L723 < 3
7 #7 (.433)	7 #7	2 1 1/0	2/5 4/3, 3/4, 5/2	1	YDS7M7T	7.22 [183]	14.56 [370]	.98 [25]	678 726	U678	19			L726 < 3
7 #6 (.486)	7 #6	1 1/0 2/0	2/5 4/3, 3/4 5/2, 4/3	1	YDS7M6T	7.52 [191]	15.17 [385]	1.07 [27]	679 726	U679	22			L726 < 3
7 #5 (.546) 19 #9 (.572)	7 #5 19 #9	-- --	-- --	2	YDS7M5T	7.97 [202]	17.06 [433]	1.28 [32]	719	--	--			L719 < 3

REV	DATE	DESCRIPTION	ECO	BY	C'H'K.
B	07/14/2017	UPDATED AS PER MARKUP	47138	BK	MB

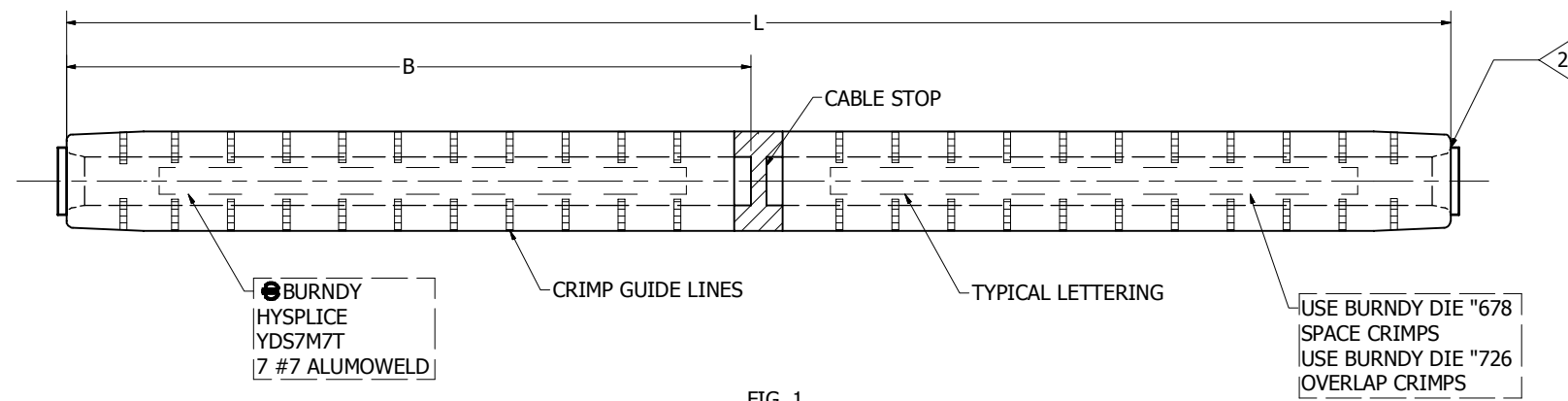
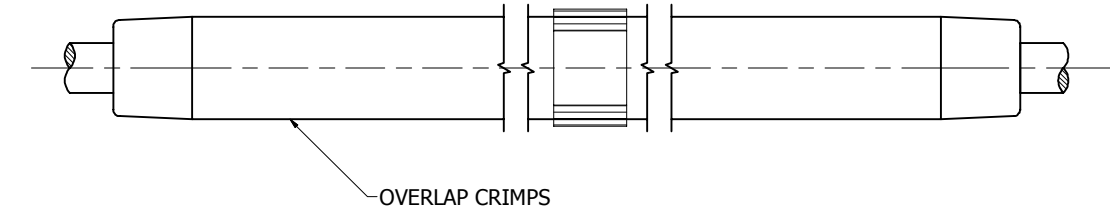
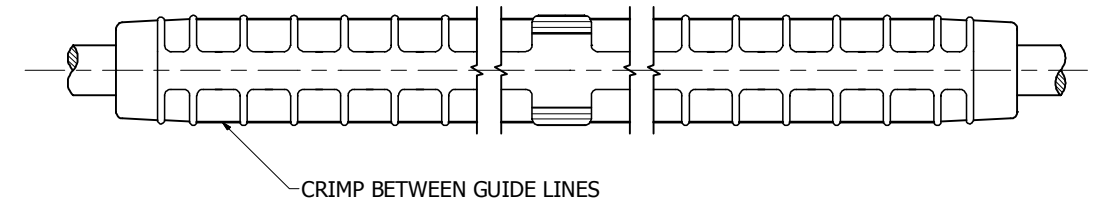


FIG. 1
VIEW: BEFORE INSTALLATION

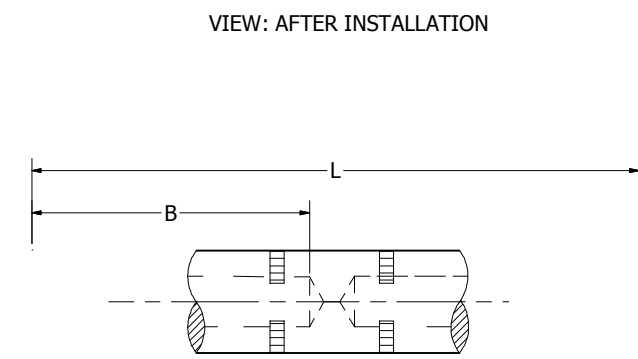


FIG. 2

NOTES:

- MATERIAL: ALUMINUM TUBE
- BARRELS PARTIALLY FILLED WITH PENETROX™ AND SEALED.
- OVERLAP CRIMPS.
- CATALOG # PT6515 ADAPTOR IS REQUIRED TO USE "U" DIES IN Y45 SERIES TOOLS.
- CATALOG # PUADP -1 IS REQUIRED TO USE "U" DIES IN Y46 SERIES TOOLS.
- DIMENSIONS IN BRACKETS [] ARE IN MILLIMETERS ROUNDED OFF TO THE NEAREST MILLIMETER, UNLESS OTHERWISE SPECIFIED AND ARE FOR REFERENCE ONLY.
- FOR FASTER INSTALLATIONS USE BURNDY® PATRIOT® FAMILY OF BATTERY TOOLS.

REFERENCE: SD053246-01 YCS-M

TO ORDER BURNDY® PRODUCTS CALL		HYSPLICE™, TENSION (ALUMOWELD)	
UNITED STATES 1-800-346-4175 (LONDONDERRY, NH)		ITEM NO: -- CAT. NO: YDS-M-T	
CANADA: 1-800-361-6975 (QUEBEC) 1-800-387-6487 (ALL OTHER PROVINCES)		DRAWN BY: B.A.L. 10/6/1960 CHECKER: W.ZÄHLMAN 6/24/2014 DSN APRVL: B.KEENAN 6/24/2014 MFG APRVL: -- QA APRVL: C.KOWALCZYK 7/2/2014 MKT APRVL: J.HALL 6/24/2014	
FOR PRODUCT INFO: http://www.burndy.com			
PROJECT #:	SIZE	DRAWING NO	REV
DOCUMENT TYPE: SALES	D	SD047272-01	B
REL LEVEL: Released		SHEET 1 OF 1	