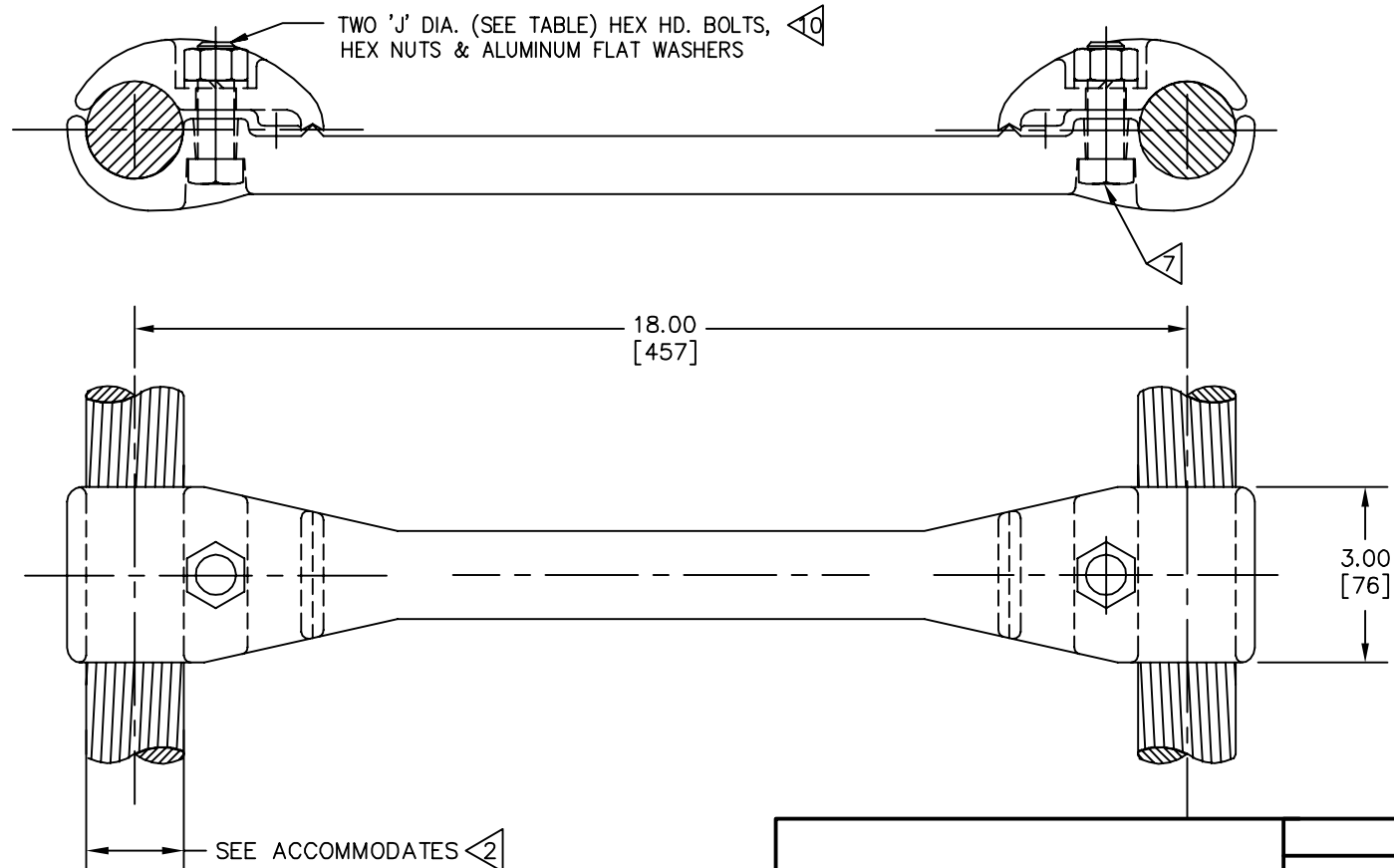


DRAWING NO.  
SD057446-01

CATALOG NO. <span style="border: 1px solid black; padding: 2px;">9</span>	ITEM NO.	CABLE RANGE <span style="border: 1px solid black; padding: 2px;">2</span>		CABLE DIA.		'J' DIA.
		A.A.C.	A.C.S.R.	MIN.	MAX.	
S2GBP41A	25021159	795 Kcmil 37 STR. (1.026 DIA.)-874.5 Kcmil 61 STR.(1.077 DIA.)	715.5 Kcmil 24/7 STR. (1.036 DIA.)-715.5 Kcmil 26/7 STR.(1.051 DIA.)	1.026 [26]	1.092 [28]	5/8"-11 X 1 1/2" LG. ALUM. ALLOY
S2GBP44A	25004344	954 Kcmil 61 STR. (1.126 DIA.)	795 Kcmil 24/7 STR. (1.092 DIA.),795 Kcmil 54/7 STR.(1.093 DIA.), 795 Kcmil 26/7 STR. (1.108 DIA.),795 Kcmil 30/19 STR.(1.140 DIA.) 874 Kcmil 54/7 STR. (1.146 DIA.)	1.092 [28]	1.165 [30]	5/8"-11 X 1 3/4" LG. <span style="border: 1px solid black; padding: 2px;">10</span> ALUM. ALLOY
S2GBP445A	002325	1033.5 Kcmil 37 STR. (1.170 DIA.)-1113 Kcmil 61 STR.(1.216 DIA.)	954 Kcmil 45/7 STR. (1.165 DIA.)-1033.5 Kcmil 45/7 STR.(1.213 DIA.)	1.165 [30]	1.246 [32]	5/8"-11 X 1 3/4" LG. <span style="border: 1px solid black; padding: 2px;">10</span> ALUM. ALLOY
S2GBP45A	25003418	1192 Kcmil 61 STR. (1.258 DIA.)-1272 Kcmil 61 STR.(1.300 DIA.)	1033.5 Kcmil 54/7 STR. (1.246 DIA.)-1192.5 Kcmil 54/19 STR.(1.333 DIA.)	1.246 [32]	1.382 [35]	5/8"-11 X 2" LG. <span style="border: 1px solid black; padding: 2px;">10</span> ALUM. ALLOY
S2GBP46A	25015026	1.590 Kcmil 61 STR. (1.453 DIA.)-1600 Kcmil 127 STR.(1.459 DIA.)	1272 Kcmil 54/19 STR. (1.382 DIA.)-1431 Kcmil 54/19 STR.(1.465 DIA.)	1.382 [35]	1.504 [38]	5/8"-11 X 1 3/4" LG. <span style="border: 1px solid black; padding: 2px;">10</span> ALUM. ALLOY
S2GBP48A	33910G	1750 Kcmil 127 STR. (1.526 DIA.)-2000 Kcmil 91 STR.(1.630 DIA.)	1590 Kcmil 45/7 STR. (1.504 DIA.)-1750 Kcmil 84/19 STR.(1.602 DIA.)	1.504 [38]	1.632 [42]	5/8"-11 X 2" LG. ALUM. ALLOY
S2GBP483A	10038619	2000 Kcmil 117 STR. (1.632 DIA.)-2250 Kcmil 91 STR.(1.729 DIA.)	2050 Kcmil 76/19 STR. (1.700 DIA.)	1.632 [42]	1.737 [44]	5/8"-11 X 2" LG. <span style="border: 1px solid black; padding: 2px;">10</span> ALUM. ALLOY
S2GBP486A	25005121	2300 Kcmil 61 STR. (1.750 DIA.)-2500 Kcmil 127 STR.(1.824 DIA.)	2167 Kcmil 72/7 STR. (1.737 DIA.)-2156 Kcmil 84/19 STR.(1.762 DIA.)	1.737 [44]	1.824 [46]	5/8"-11 X 2" LG. <span style="border: 1px solid black; padding: 2px;">10</span> ALUM. ALLOY

REV.	DATE	DESCRIPTION	ECO	BY	C'K'D.
B	09/23/13	DRAWING RELEASED	33353	SRI	NJS



- NOTES:
- MATERIAL:  
BODY & CAP: CAST ALUMINUM ALLOY
  - ACCOMMODATES:  
SEE TABLE
  - NOMINAL BOLT INSTALLATION TORQUE:  
5/8" ALUMINUM HARDWARE - 480 LB-IN [55 Nm]  
5/8" GALVANIZED STEEL HARDWARE - 660 LB-IN [75 Nm]  
5/8" STAINLESS STEEL HARDWARE - 660 LB-IN [75 Nm]
  - DIMENSIONS IN BRACKETS [ ] DENOTES METRIC UNITS [SI UNITS]  
AND ARE ROUNDED TO THE NEAREST WHOLE NUMBER. UNLESS  
OTHERWISE SPECIFIED THESE UNITS SHALL BE USED FOR  
REFERENCE ONLY.
  - PENETROX™ NOTE: SCRATCH BRUSH CONNECTOR CONTACT SURFACE DRY,  
THEN APPLY PENETROX™ A. PENETROX™ CAN BE PURCHASED FROM BURNDY  
LLC, IN CANS OR PLASTIC SQUEEZE BOTTLES.
  - THE CONCEPT SHOWN INCORPORATES PRINCIPLES WHICH PERMIT OPERATION  
AT A VOLTAGE GRADIENT NORMALLY ASSOCIATED WITH 550KV RMS  
OPERATION PHASE TO PHASE.
  - HEX BOLTS CAPTURED TO PREVENT TURNING DURING INSTALLATION.
  - MARKING:  
BURNDY  
----(CATALOG NUMBER)  
----(ACCOMMODATES)
  - OPTIONAL HARDWARE VARIATIONS ARE AVAILABLE BY ADDING THE  
FOLLOWING SUFFIX TO THE CATALOG NUMBER. EXAMPLE: S2GBP41AGS  
GS = GALVANIZED STEEL  
SS = STAINLESS STEEL
  - THESE CAT. NO'S USE GALVANIZED STEEL SPLIT LOCK WASHERS IN PLACE  
OF ALUM. FLAT WASHERS
  - G.E. SYLMAR ITEM NO. 1027 & 1045.

TO ORDER BURNDY® PRODUCTS CALL		UNITED STATES:		CANADA:	
1-800-346-4175 (LONDONDERRY, NH)		1-800-361-6975 (QUEBEC)		1-800-387-6487 (ALL OTHER PROVINCES)	
FOR PRODUCT INFO: <a href="http://www.burndy.com">http://www.burndy.com</a>					
<b>TWO CONDUCTOR SPACER</b>					
ITEM NO: SEE TABLE					
CAT NO: S2GBP-A- (TABLE) <span style="border: 1px solid black; padding: 2px;">9</span>					
SCALE: NTS		DRAWN BY: J.A.A. 11/10/1964		<b>BURNDY</b>	
CHECKER: M.J.M. 11/11/1964		DSN APPVL: R LAVOIE 10/09/2013			
MFG APPVL: ---		QC APPVL: J HILLMAN 10/11/2013		DRAWING NO	
MKT APPVL: B MICHAUD 10/09/2013		PROD FAM: ---		SD057446-01	
PROJECT #: ---		SIZE		REV	
REL LEVEL: AutoCAD		C		B	
				SHEET 1 of 1	