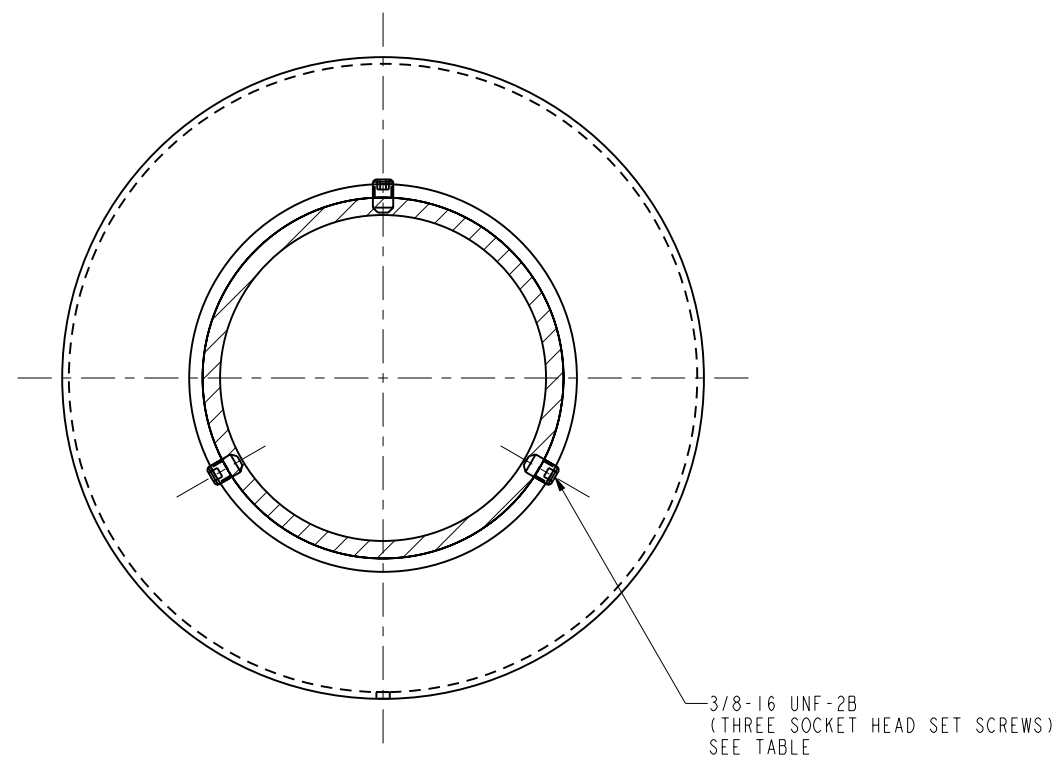
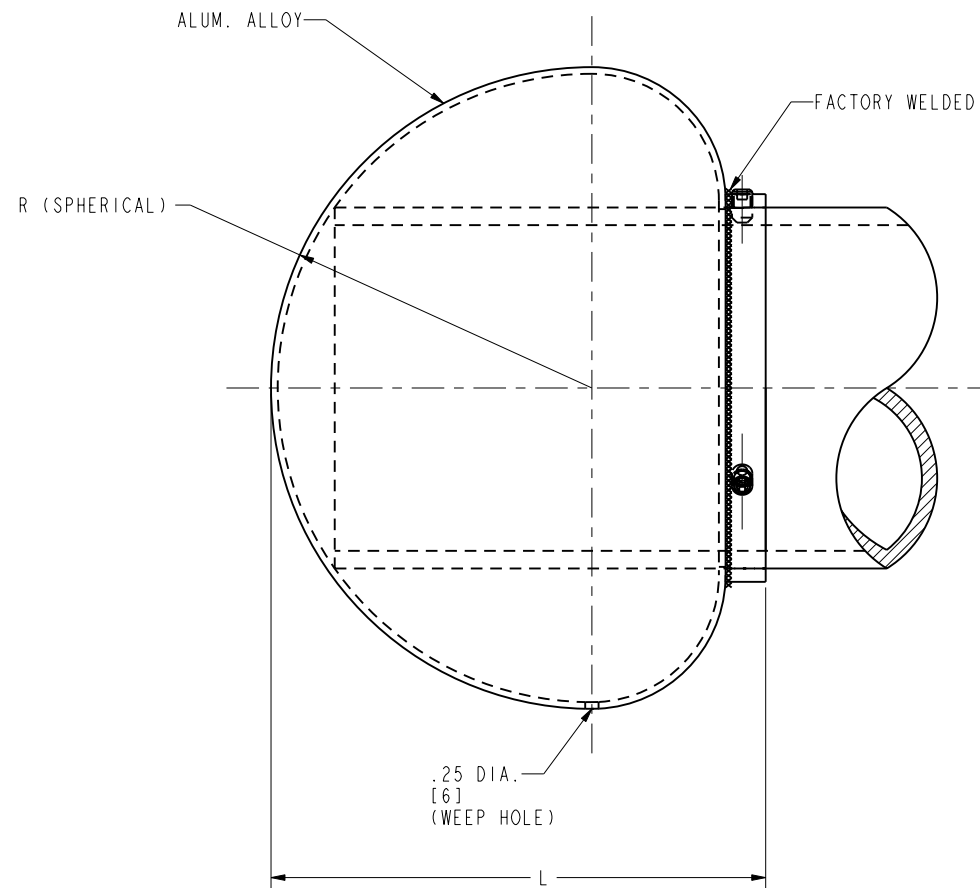


DRAWING NO.
SD059851-01

CATALOG NO.	ITEM NO.	J DIA.	L	R	ACCOMMODATES	K.V. RATING	RECOMMENDED TORQUE
SCBB20A	10028915	3/8"-16	9.25 [235]	6.00 [152]	3" IPS (3.500 DIA.) ALUM. TUBE	550	50 IN.-LBS.
SCBB22A	25018279				4" IPS (4.500 DIA.) ALUM. TUBE		
SCBB24A	33906A				5" IPS (5.563 DIA.) ALUM. TUBE		
SCBB83A	10007348				8" IPS (8.500 DIA.) ALUM. TUBE		
SCBB86A	25017245	1/4"-20			6" IPS (6.625 DIA.) ALUM. TUBE		40 IN.-LBS.
SCBB88A	25018280				8" IPS (8.625 DIA.) ALUM. TUBE		50 IN.-LBS.
SCBB21A	10028582	3/8"-16			3.5" IPS (4.000 DIA.) ALUM. TUBE		

REV	DATE	DESCRIPTION	ECO	BY	C'H'K.
D	6/4/2011 12:00:00 AM	FLAG REMOVED	24704	NG	NJ



NOTES:

- SIX SET SCREWS EQUALLY SPACED IN CLAMPING COLLAR FOR THIS CATALOG NUMBER.
- MATERIAL AS NOTED.
- DIMENSIONS IN [] BRACKETS ARE IN MILLIMETERS ROUNDED OFF TO THE NEAREST MILLIMETER, UNLESS OTHERWISE NOTED AND ARE FOR REFERENCE ONLY.

TO ORDER BURNDY® PRODUCTS CALL
 UNITED STATES
 1-800-346-4175 (LONDONDERRY, NH)
 CANADA:
 1-800-361-6975 (QUEBEC)
 1-800-387-6487 (ALL OTHER PROVINCES)
 FOR PRODUCT INFO: <http://www.burndy.com>

CORONA BELL			
ITEM NO:	(TABLE)		
CAT. NO:	SCBB-A (TABLE)		
DRAWN BY:	B. MANIKANDAN 03/08/11	BURNDY	SCALE: 1:2
CHECKER:	N. J. SUDHAKAR 03/08/11		
DSN APPVL:	R LAVOIE 06/03/11		
MFG APPVL:	-- --		
QA APPVL:	C ACKERMAN 06/04/11		
MKT APPVL:	V TORRES 06/03/11		
PROD FAM:	SUBSTATION	DRAWING NO	REV
PROJECT #:	--	SD059851-01	D
DOCUMENT TYPE:	Sales	SHEET 1 OF 1	
REL LEVEL:	Released		

REV: PE0200