

REV	DATE	DESCRIPTION	ECO	BY	C'H'K.
A	1/11/2001 12:00:00 AM	.712 'A' DIA. WAS .701 FOR YE31LH71 & YE31LH72	22731	TS	MA

CATALOG NUMBER	COPPER CONDUCTOR		CABLE RANGE DIA.	FIG NO.	A	B	BB	L	P	W	INSTALLATION DATA								REFERENCE	P.P & L. CATALOG NO.
	SIZE	STR									HYPRES™ WITH DIE SET AND NO. OF CRIMPS									
											INDEX NO.	Y35	Y48B	Y45L	MD6					
YE1CLH80	#2 FLEX	150 161 1634	.325 - .337 [8] - [9]	1	.310 DIA. SOL CU	1.67 [42]	1.00 [25]	7.31 [186]	4.00 [102]	.56 [14]	162	U162	I	C162	I	--	--	W162	7	108815
YE1CLH81	#2 FLEX			2	.310 DIA. SOL CU	1.67 [42]	1.00 [25]	4.56 [116]	4.00 [102]	.56 [14]	162	U162	I	C162	I	--	--	W162	7	108806
YE27LH94	2/0 FLEX	325 342 3325	.460 - .508 [12] - [13]	1	.460 DIA. SOL CU	1.34 [34]	1.00 [25]	7.09 [180]	4.00 [102]	.80 [20]	243	U243	I	--	--	--	--	W243	3	108820
YE27LH95	2/0 FLEX			2	.460 DIA. SOL CU	1.34 [34]	1.00 [25]	4.45 [113]	4.00 [102]	.80 [20]	243	U243	I	--	--	--	--	W243	3	108807
YE37LH71	535.3 Kcmil FLEX	1325	.970 [25]	1	.712 DIA. CU. ROD	2.16 [55]	1.00 [25]	8.00 [203]	4.00 [102]	1.39 [35]	23	--	--	C37R	I	S37RT	I	--	--	108809
YE37LH72	535.3 Kcmil FLEX			2	.712 DIA. CU. ROD	2.16 [55]	1.00 [25]	5.70 [145]	4.00 [102]	1.39 [35]	23	--	--	C37R	I	S37RT	I	--	--	FD072712
YE30LH88	4/0 FLEX	532 550 5320	.590 - .645 [15] - [16]	2	.528 DIA. SOL CU.	1.09 [28]	1.00 [25]	4.81 [122]	4.00 [102]	.91 [23]	166	U166	2	--	--	--	--	W166	4	108823
YE30LH89	4/0 FLEX			1	.528 DIA. SOL CU.	1.09 [28]	1.00 [25]	7.25 [184]	4.00 [102]	.91 [23]	166	U166	2	--	--	--	--	W166	4	108822
YE27LH88	2/0 FLEX	325 342 3325	.460 - .508 [12] - [13]	3	1/2 - 13	1.34 [34]	1.00 [25]	4.62 [117]	1.75 [44]	.84 [21]	243	U243	I	--	--	--	--	W243	3	108821
YE30LH87	4/0 FLEX	532 550 5320	.590 - .645 [15] - [16]	3	1/2 - 13	1.09 [28]	1.00 [25]	5.06 [129]	1.75 [44]	.91 [23]	166	U166	2	--	--	--	--	W166	4	108808
YE1CLH79	#2 FLEX	150 161 1634	.325 - .337 [8] - [9]	4	1/2 - 13	1.67 [42]	1.00 [25]	5.07 [129]	1.75 [44]	.56 [14]	162	U162	I	C162	I	--	--	W162	8	108814

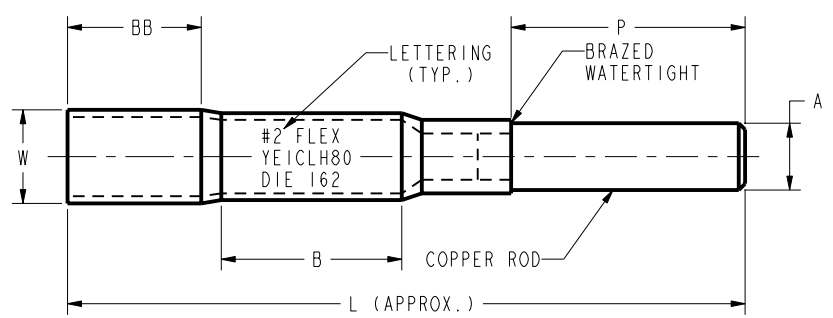


FIG. 1

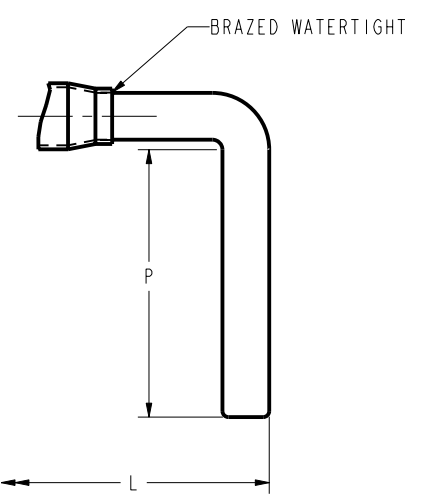


FIG. 2

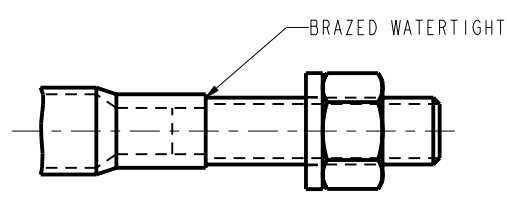


FIG. 3

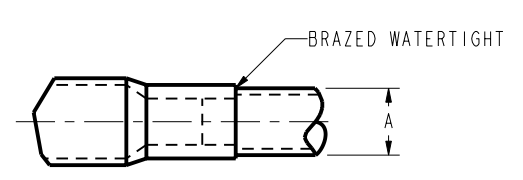


FIG. 4

NOTES:

- 1 SKIVE CABLE INSULATION FOR 'BB' LENGTH TO FIT SHROUD 'W' DIA.
- 2 CIRCULAR CRIMPS.
- 3 SUPPLIED WITH (2) NUTS AND WASHERS.
4. ALL CAT.NO'S. TO INCLUDE DIE INFORMATION ON FINISHED PART.
5. DIMENSIONS IN [] BRACKETS ARE IN MILLIMETERS, ROUNDED OFF TO THE NEAREST MILLIMETER, UNLESS OTHERWISE NOTED. METRIC DIMENSIONS ARE FOR REFERENCE ONLY.
6. MATERIAL: COPPER TUBE AND ROD.
7. FINISH: TIN PLATED.

REFERENCE: P.P AND L. DRAWING NO. - LA005038
SUPERSEDES: SC18232N26-6

TO ORDER BURNDY® PRODUCTS CALL		HYSEALPLUG™	
UNITED STATES 1-800-346-4175 (LONDONDERRY, NH)		ITEM NO: N/A	CAT. NO: YE--LH- (SEE TABLE)
CANADA: 1-800-361-6975 (QUEBEC) 1-800-387-6487 (ALL OTHER PROVINCES)		DRAWN BY: P.C. 04/05/69	CHECKER: J.P.S. 04/15/69
FOR PRODUCT INFO: http://www.burndy.com		DSN APPVL: M.G. 04/15/69	MFG APPVL: --
		QA APPVL: --	MKT APPVL: --
		PROD FAM: CM&R COMPRESSION	DRAWING NO: SD068061-01
		PROJECT #: --	SCALE: 3:2
		DOCUMENT TYPE: Sales	SIZE: D
		REL LEVEL: Released	SHEET 1 OF 1

REV: PE0200