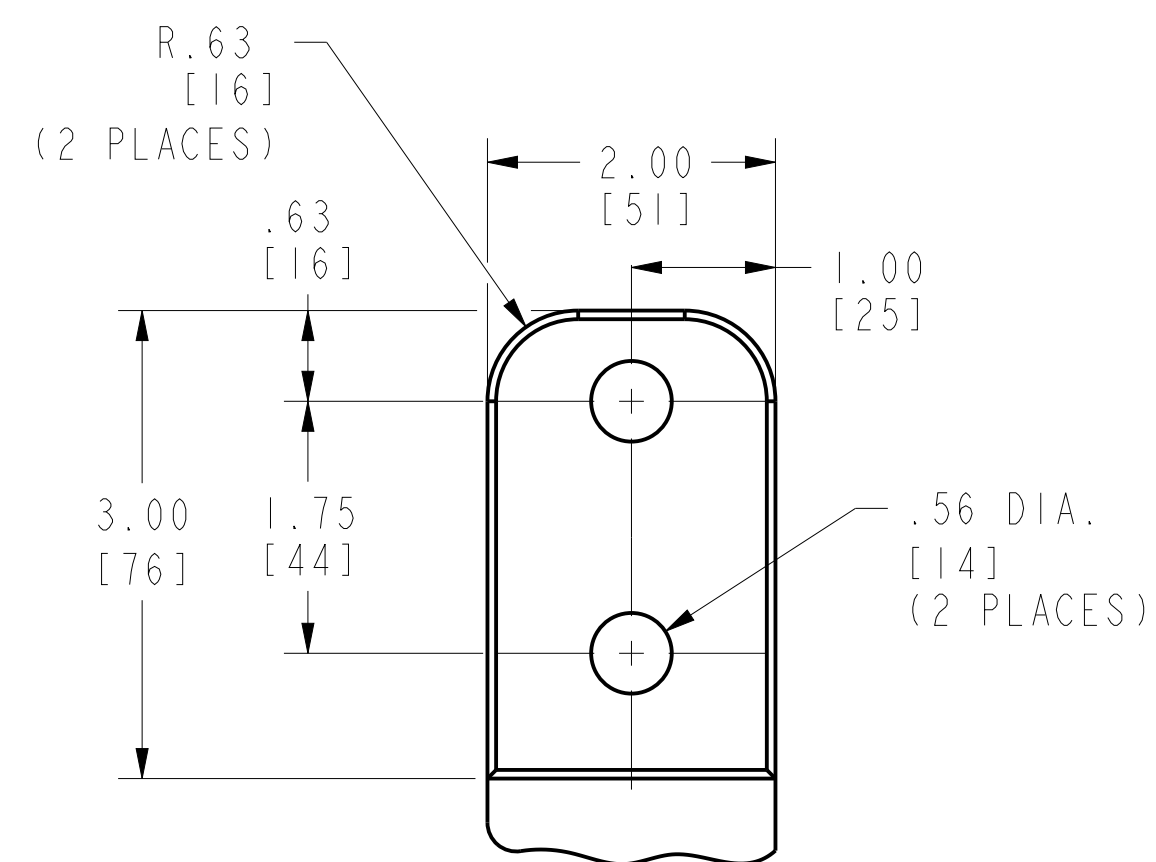
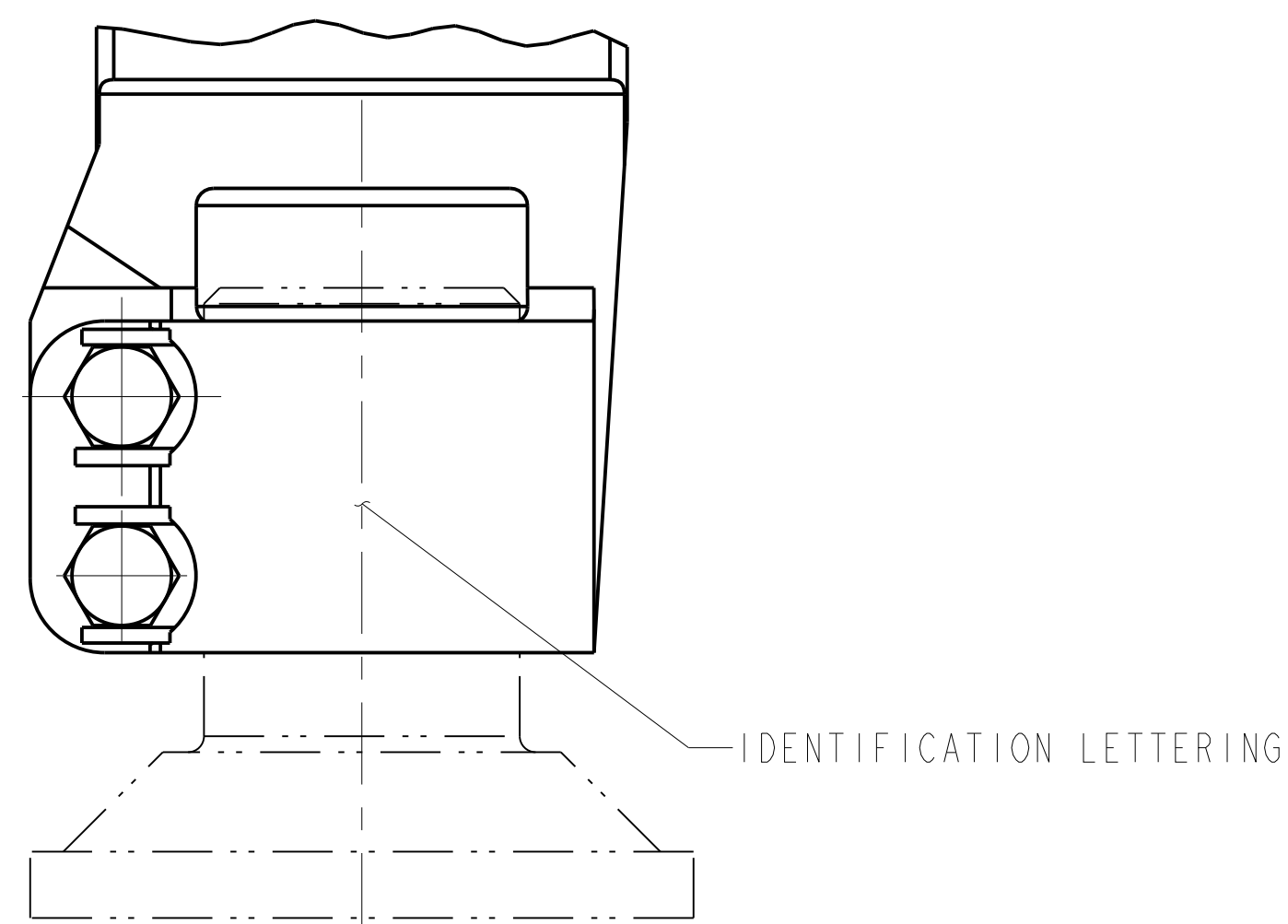
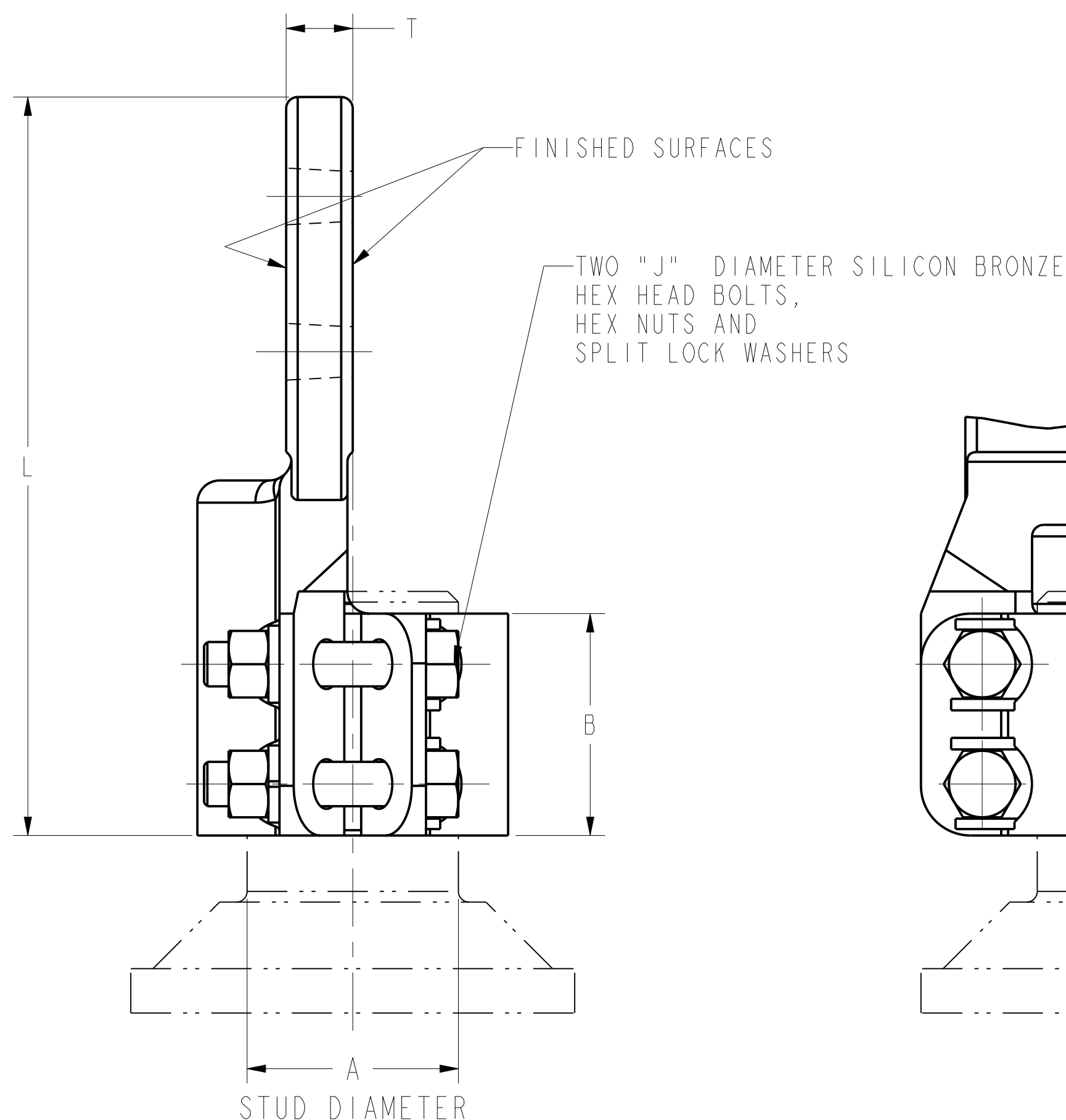
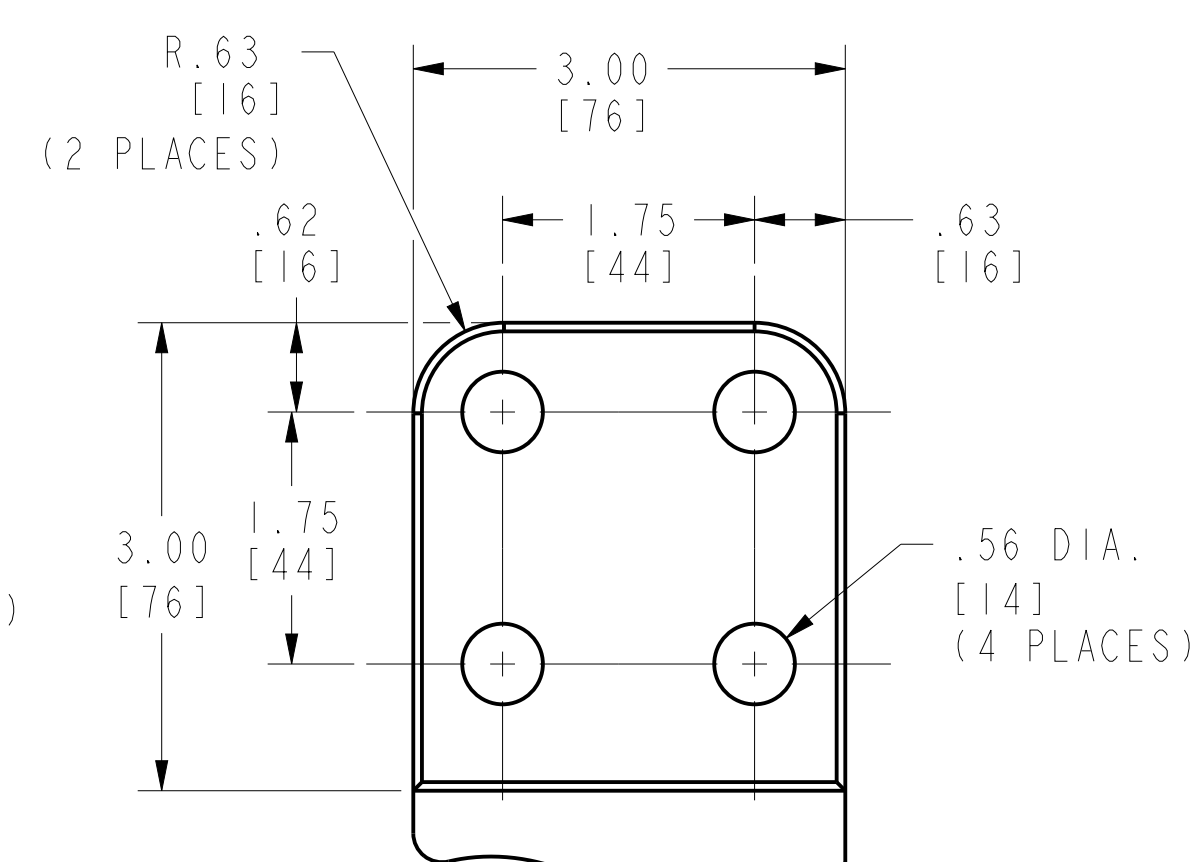


REV	DATE	DESCRIPTION	ECO	BY	C'K'.
Y	2020-05-22 01:00:00 EDT	ADDED PART TO TABLE	201215003180	JL	SB



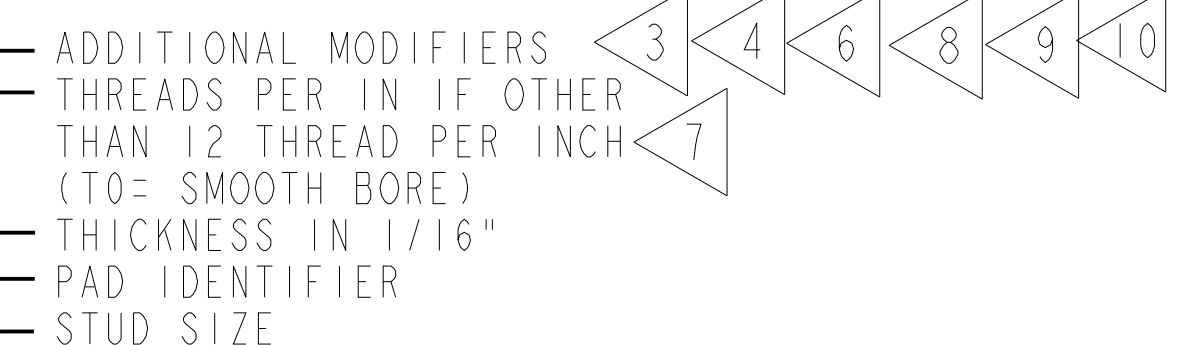
PAD B



PAD C

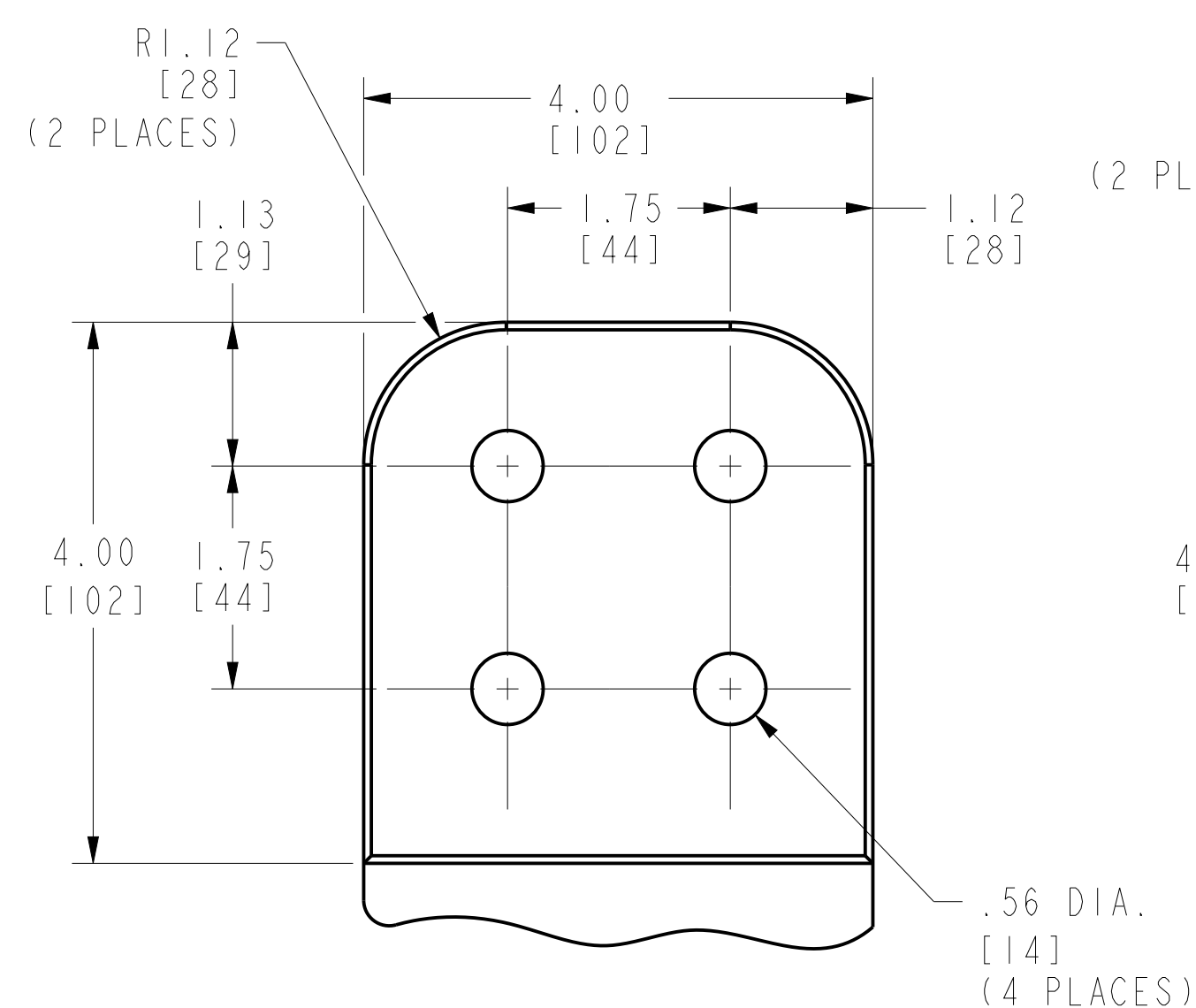
COMPOSITION OF CATALOG NUMBER

FD64B5T16

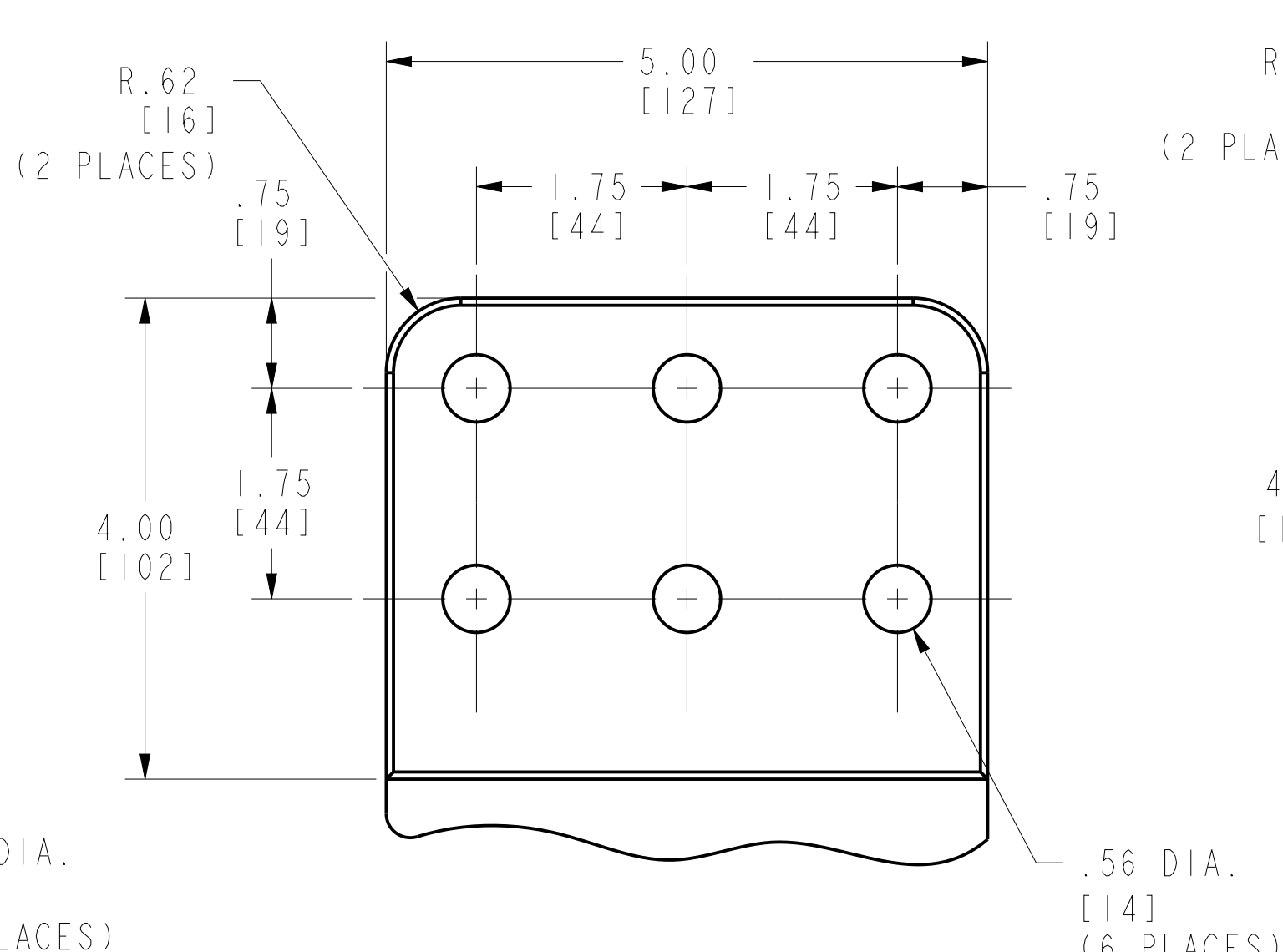


NOTES:

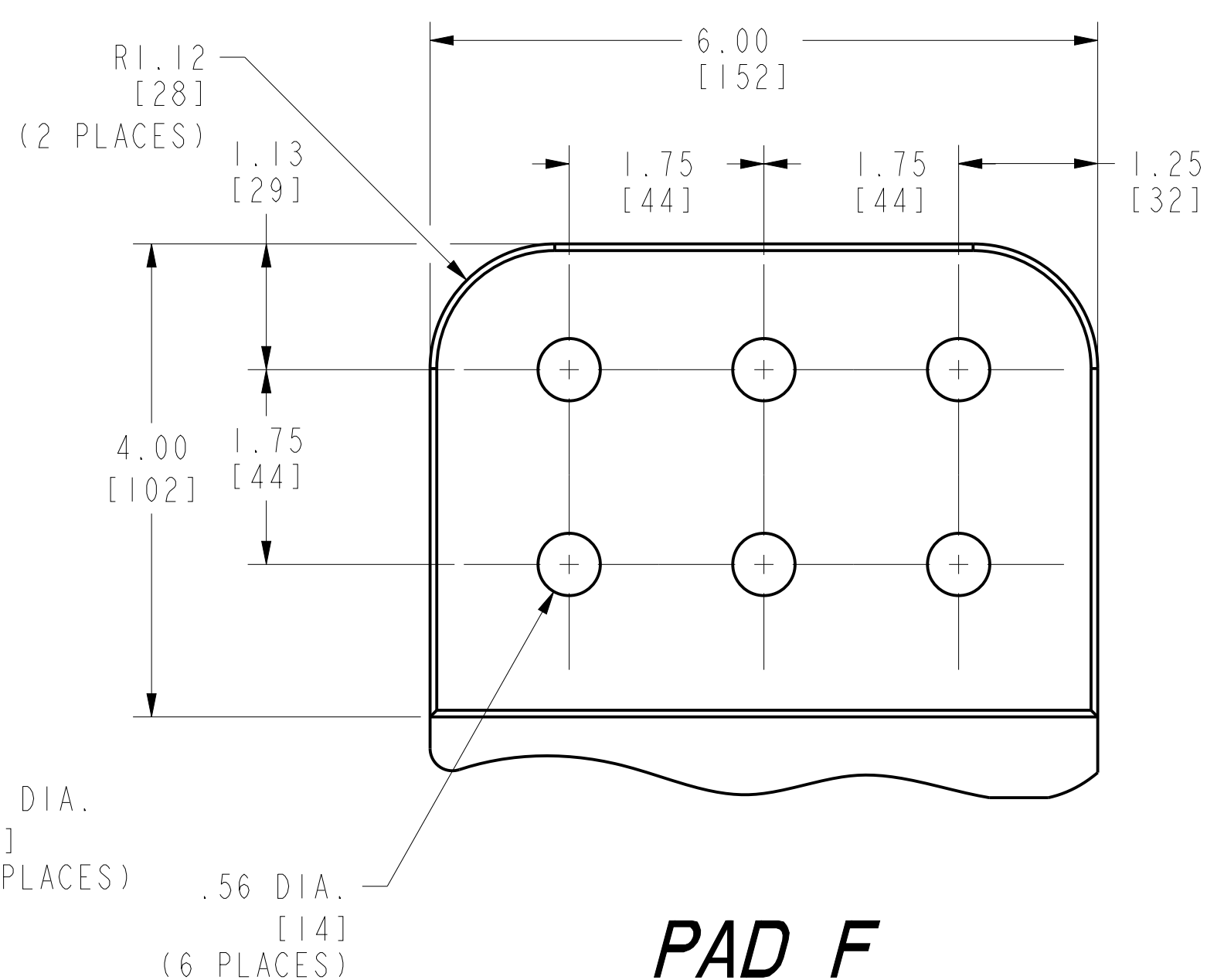
- MATERIAL: CAST COPPER ALLOY.
- ALL STUDS ARE TWELVE (12) THREADS PER INCH (TPI) UNLESS OTHERWISE SPECIFIED IN CATALOG NUMBER IF THREADS OTHER THAN 12 TPI ARE REQUIRED, ADD SUFFIX "T16", "T14", ETC. AS REQUIRED, E.G. FD64B5T16. "T16" INDICATES 16 TPI, FD65C6T14, "T14" INDICATES 14 TPI FD67D8T0, "T0" INDICATES SMOOTH STUD (NO THREADS).
- STUD CONNECTORS MAY BE PURCHASED IN MANY PLATING VARIATIONS BY ADDING SUFFIX TO END OF CATALOG NUMBER. EXAMPLES: "TN" = TIN PLATED, "SV" = SILVER PLATED, "W" = HOT TIN DIPPED AND "NK" = NICKEL PLATED.
- WHEN SUFFIX "U" IS ADDED TO THE CATALOG NUMBER THE TONGUE SHALL BE UNDRILLED.
- DIMENSIONS IN BRACKET [] ARE IN MILLIMETERS, AND ARE FOR REFERENCE ONLY.
- WHEN SUFFIX "TX" IS ADDED TO THE CATALOG NUMBER THE FOLLOWING HARDWARE SHALL BE SUPPLIED: GALVANIZED STEEL HEX HEAD BOLT AND NUT PER INTERNAL SPECIFICATION H242 AND GALVANIZED STEEL SPLIT LOCKWASHERS PER INTERNAL SPECIFICATION H229, TYPE 1.
- "T0" INDICATES SMOOTH BORE.
- SUFFIX "J0" INDICATES THAT CONNECTOR IS SUPPLIED WITHOUT ANY HARDWARE.
- ALL CATALOG NUMBERS ENDING WITH "UG" SHALL BE CAST IN MEXICO.
- THESE MODIFIERS MAY BE APPLIED TO ANY CATALOG NUMBER.



PAD D



PAD E



PAD F

TO ORDER BURNDY® PRODUCTS CALL
 UNITED STATES
 1-800-346-4175 (LONDONDERRY, NH)
 CANADA:
 1-800-361-6975 (QUEBEC)
 1-800-387-6487 (ALL OTHER PROVINCES)
 FOR PRODUCT INFO: <http://www.burndy.com>

ITEM NO:		N/A	
CAT. NO:		SEE TABLE	
DRAWN BY:		J SUDHAKAR 08/11/06	
CHECKER:		R LAVOIE 07/02/15	
DSN APPVL:		R LAVOIE --	
MFG APPVL:		T WAWRZYNIAK --	
QA APPVL:		J HILLMAN --	
MKT APPVL:		R LOVELESS --	
PROD FAM:	SUBSTATION	DRAWING NO:	REV
PROJECT #:	FPN1707049	SIZE:	SD079583
DOCUMENT TYPE:	Sales		Y
REL LEVEL:	Released		SHEET 1 OF 2

BURNDY

SCALE: 1:1

D

C

B

A

REV: PEO200

CATALOG NUMBER	"A" DIA STUD	PAD	B CONTACT LENGTH	J BOLT	L	T	NOMINAL AMPERE RATING
FD63C6T13	1/2"-13	C	1.75 [44]	3/8"-16	6.00 [152]	.38 [10]	1075
FD635C6T11	5/8"-11	C	1.75 [44]	3/8"-16	6.00 [152]	.38 [10]	1075
FD635B6T11	5/8"-11	B	1.75 [44]	3/8"-16	6.00 [152]	.38 [10]	750
FD64B5T16	3/4"-16	B			5.72 [145]	.31 [8]	700
FD64B6T16	3/4"-16	B			5.72 [145]	.38 [10]	750
FD64C5T0	3/4" SMOOTH	C			6.00 [152]	.31 [8]	1000
FD64C5T10	3/4"-10	C	1.75 [44]	3/8"-16	6.00 [152]	.31 [8]	1000
FD64C5T16	3/4"-16	C			5.72 [145]	.31 [8]	1000
FD64D5	3/4"-12	D			6.78 [170]	.31 [8]	1200
FD645D8T0	7/8" SMOOTH	D			7.06 [179]	.50 [13]	1450
FD65B6T14	1"-14	B			5.72 [145]	.38 [10]	750
FD65C6T14	1"-14	C			5.72 [145]	.38 [10]	1075
FD65D6T14	1"-14	D	1.75 [44]	3/8"-16	6.72 [171]	.38 [10]	1300
FD65D8T0	1" SMOOTH	D			7.06 [179]	.50 [13]	1450
FD65D12T0	1" SMOOTH	D			6.84 [174]	.75 [19]	2100
FD655B6	1 1/8"-12	B			5.80 [147]	.38 [10]	750
FD655C6	1 1/8"-12	C	1.75 [44]	3/8"-16	5.80 [147]	.38 [10]	1075
FD655C6T16	1 1/8"-12	C			5.80 [147]	.38 [10]	1075
FD655D6	1 1/8"-12	D			6.86 [174]	.38 [10]	1300
FD655B6J12	1 1/8"-12	B	2.18 [55]	1/2"-13	6.21 [158]	.38 [10]	750
FD655C6J12	1 1/8"-12	C			6.21 [158]	.38 [10]	1075
FD66B6	1 1/4"-12	B			5.78 [147]	.38 [10]	750
FD66C6	1 1/4"-12	C			5.78 [147]	.38 [10]	1075
FD66D6	1 1/4"-12	D			6.84 [174]	.38 [10]	1300
FD66D6J0	1 1/4"-12	D	1.75 [44]	3/8"-16	6.84 [174]	.38 [10]	1300
FD66D8	1 1/4"-12	D			6.84 [174]	.50 [13]	1450
FD66D8W	1 1/4"-12	D			6.84 [174]	.50 [13]	1450
FD66D18	1 1/4"-12	D			6.84 [174]	1.12 [29]	4200
FD66C6J12	1 1/4"-12	C	2.18 [55]	1/2"-13	6.21 [158]	.38 [10]	1075
FD67B6	1 1/2"-12	B			6.23 [158]	.38 [10]	750
FD67C6	1 1/2"-12	C			6.23 [158]	.38 [10]	1075
FD67D6SV	1 1/2"-12	D			7.21 [183]	.38 [10]	1300
FD67B8	1 1/2"-12	B			6.75 [171]	.50 [13]	875
FD67C8	1 1/2"-12	C			6.75 [171]	.50 [13]	1100
FD67D6	1 1/2"-12	D			7.21 [183]	.38 [10]	1300
FD67D8	1 1/2"-12	D	2.18 [55]	1/2"-13	7.50 [191]	.50 [13]	1450
FD67D8W	1 1/2"-12	D			7.31 [186]	.50 [13]	1450
FD67D8T0	1 1/2" SMOOTH	D			7.50 [191]	.50 [13]	1450
FD67D8T0TN	1 1/2" SMOOTH	D			7.50 [191]	.50 [13]	1450
FD67D12	1 1/2"-12	D			7.00 [191]	.75 [19]	2100
FD67D16	1 1/2"-12	D			7.00 [191]	1.00 [25]	3000
FD67D16T0	1 1/2" SMOOTH	D			7.00 [191]	1.00 [25]	3000
FD675C8	1 3/4"-12	C			6.32 [161]	.50 [13]	1100
FD675D8	1 3/4"-12	D	2.18 [55]	1/2"-13	7.39 [188]	.50 [13]	1450
FD675D12	1 3/4"-12	D			7.39 [188]	.75 [19]	2100
FD675D12W	1 3/4"-12	D	2.18 [55]	1/2"-13	7.88 [200]	.75 [19]	2100

CATALOG NUMBER	"A" DIA STUD	PAD	B CONTACT LENGTH	J BOLT	L	T	NOMINAL AMPERE RATING
FD68C8	2"-12	C					1100
FD68D8	2"-12	D	2.18 [55]	1/2"-13	6.35 [161]	.50 [13]	1450
FD68D8W	2"-12	D			7.42 [188]	.50 [13]	1450
FD68D12	2"-12	D			7.42 [188]	.75 [19]	2100
FD68D16	2"-12	D	2.13 [54]		7.42 [188]	1.00 [25]	3000
FD685C8	2 1/4"-12	C			6.71 [170]	.50 [13]	1100
FD685D8	2 1/4"-12	D			7.77 [197]	.50 [13]	1450
FD685D12	2 1/4"-12	D	2.50 [64]	1/2"-13	7.77 [197]	.75 [19]	2100
FD685D16	2 1/4"-12	D			7.77 [197]	1.00 [25]	3000
FD685D16M60T0	2.362 [60] DIA SMOOTH	D					
FD69C8	2 1/2"-12	C			6.77 [172]	.50 [13]	1100
FD69D8	2 1/2"-12	D			8.03 [204]	.50 [13]	1450
FD69D12	2 1/2"-12	D	2.50 [64]	1/2"-13	8.03 [204]	.75 [19]	2100
FD69D12TN							
FD69D16	2 1/2"-12	D			8.03 [204]	1.00 [25]	3000
FD696D12T0	2 13/16" SMOOTH	D	2.88 [73]	5/8"-11	8.25 [210]	.75 [19]	2100
FD70C8	3"-12	C			7.21 [183]	.50 [13]	1100
FD70D8	3"-12	D			8.28 [210]	.50 [13]	1450
FD70D12	3"-12	D			8.26 [210]	.75 [19]	2100
FD70D16	3"-12	D			8.24 [210]	1.00 [25]	3000
FD70F16T0W	3" SMOOTH	F	2.88 [73]	5/8"-11	9.19 [234]	1.00 [25]	4000
FD70F16W	3"-12	F			9.19 [234]	1.00 [25]	4000
FD70F16	3"-12	F			9.19 [234]	1.00 [25]	4000
FD70D22	3"-12	D			8.24 [210]	1.38 [35]	4000
FD705C12	3 1/4"-12	C			7.20 [183]	.75 [19]	1900
FD705D12	3 1/4"-12	D	2.88 [73]	5/8"-11	8.26 [210]	.75 [19]	2100
FD705D16	3 1/4"-12	D			8.26 [210]	1.00 [25]	3000
FD705F16	3 1/4"-12	F			9.00 [229]	1.00 [25]	4000
FD71D12	3 1/2"-12	D			8.78 [223]	.75 [19]	2100
FD71D16	3 1/2"-12	D	3.00 [76]	5/8"-11	8.40 [213]	1.00 [25]	3000
FD72D12	4"-12	D			8.42 [214]	.75 [19]	2100
FD72D16	4"-12	D			8.42 [214]	1.00 [25]	3000
FD72F18	4"-12	F	3.00 [76]	5/8"-11	8.42 [214]	1.12 [28]	4200
FD72F18W	4"-12	F			8.42 [214]	1.12 [28]	4200
FD72D27	4"-12	D			8.42 [214]	1.68 [43]	3000
FD72D27W	4"-12	D			8.42 [214]	1.68 [43]	3000
FD73F20	4 1/2"-12	F	3.00 [76]	5/8"-11	9.34 [237]	1.25 [32]	5000
FD678D16T0Q	1 7/8" SMOOTH	D	2.18 [55]	1/2"-13	7.42 [188]	1.00 [25]	3000
FD68D12T0W	2" SMOOTH	D			7.42 [188]	.75 [19]	2100
FD72F18T10	4"-10	F	3.00 [76]	5/8"-11	8.42 [214]	1.12 [28]	4200

D

C

B

A

TO ORDER BURNDY® PRODUCTS CALL		STUD CONNECTOR	
UNITED STATES 1-800-346-4175 (LONDONDERRY, NH)		ITEM NO: N/A	CAT. NO: SEE TABLE
CANADA: 1-800-361-6975 (QUEBEC) 1-800-387-6487 (ALL OTHER PROVINCES)		DRAWN BY: J SUDHAKAR 08/11/06	CHECKER: R LAVOIE 07/02/15
FOR PRODUCT INFO: http://www.burndy.com		DSN APPVL: R LAVOIE --	MFG APPVL: T WAWRZYNIAK --
		GA APPVL: J HILLMAN --	MKT APPVL: R LOVELESS --
		PROD FAM: SUBSTATION	DRAWING NO: SD079583
		PROJECT #: FPN1707049	SIZE: D
		DOCUMENT TYPE: Sales	REVISION: Y
		REL LEVEL: Released	SHEET 2 OF 2

REV	DATE	DESCRIPTION	ECO	BY	C'H'K.
Y	2020-05-22 01:00:00 EDT	ADDED PART TO TABLE	201215003180	JL	SB