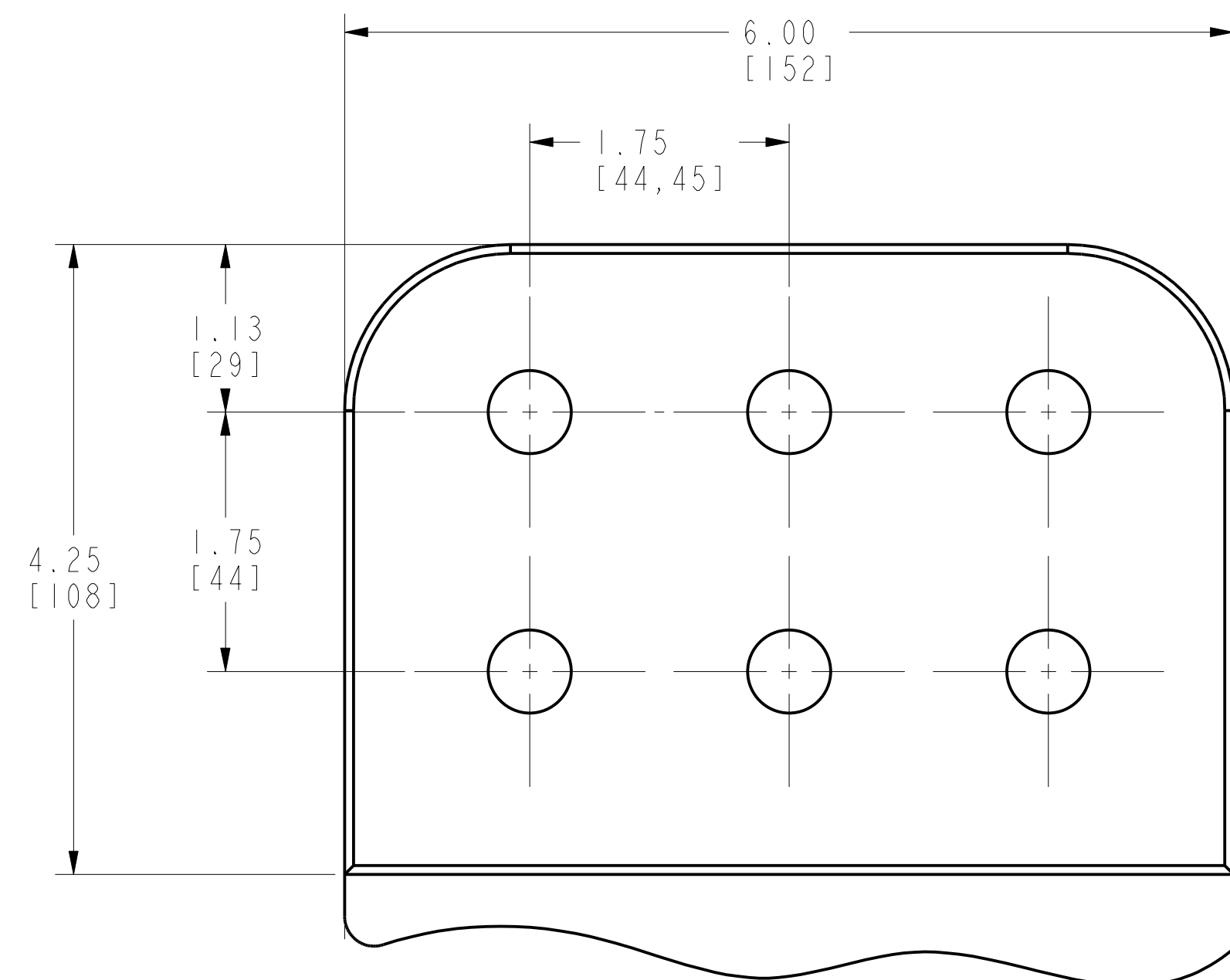
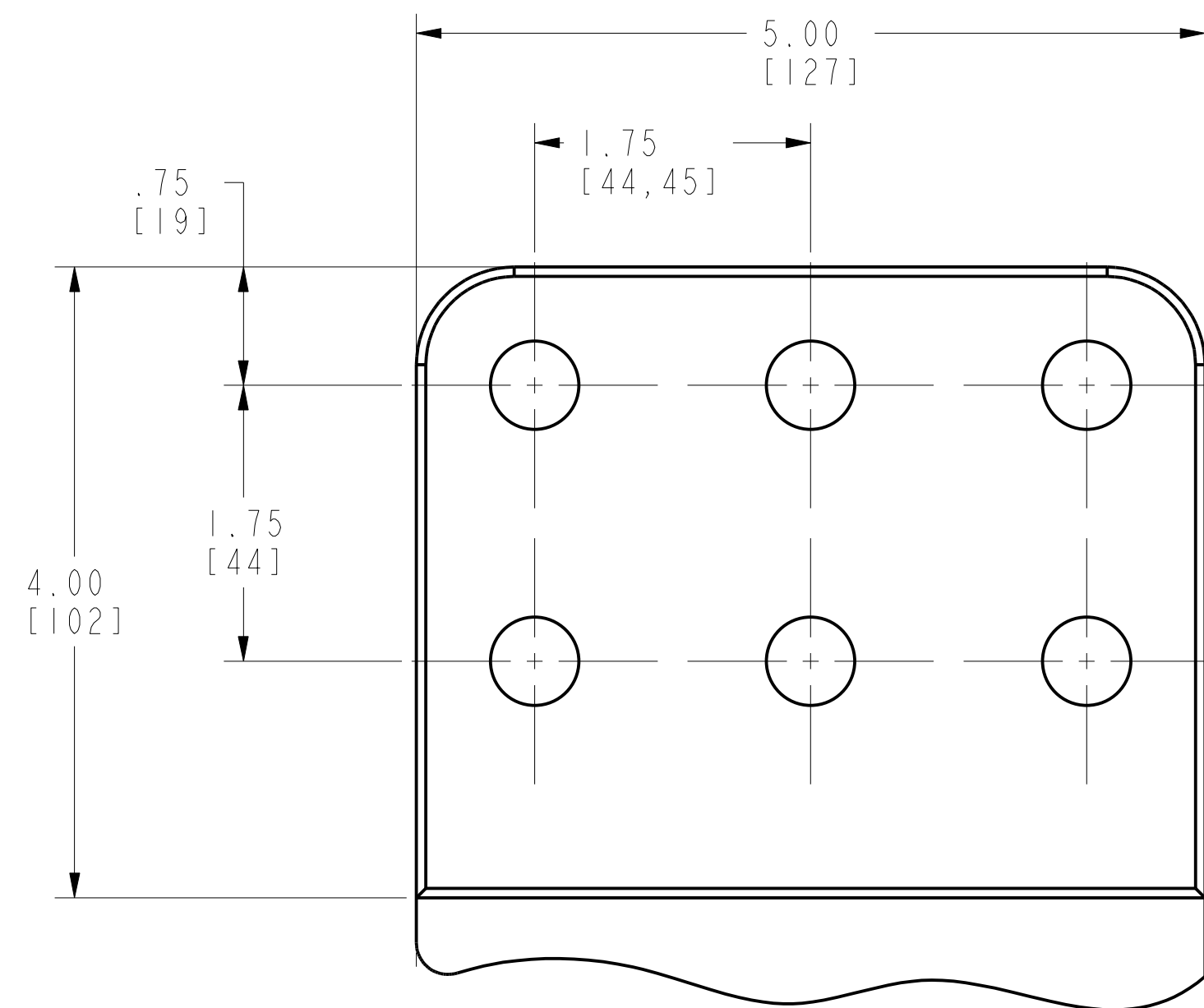
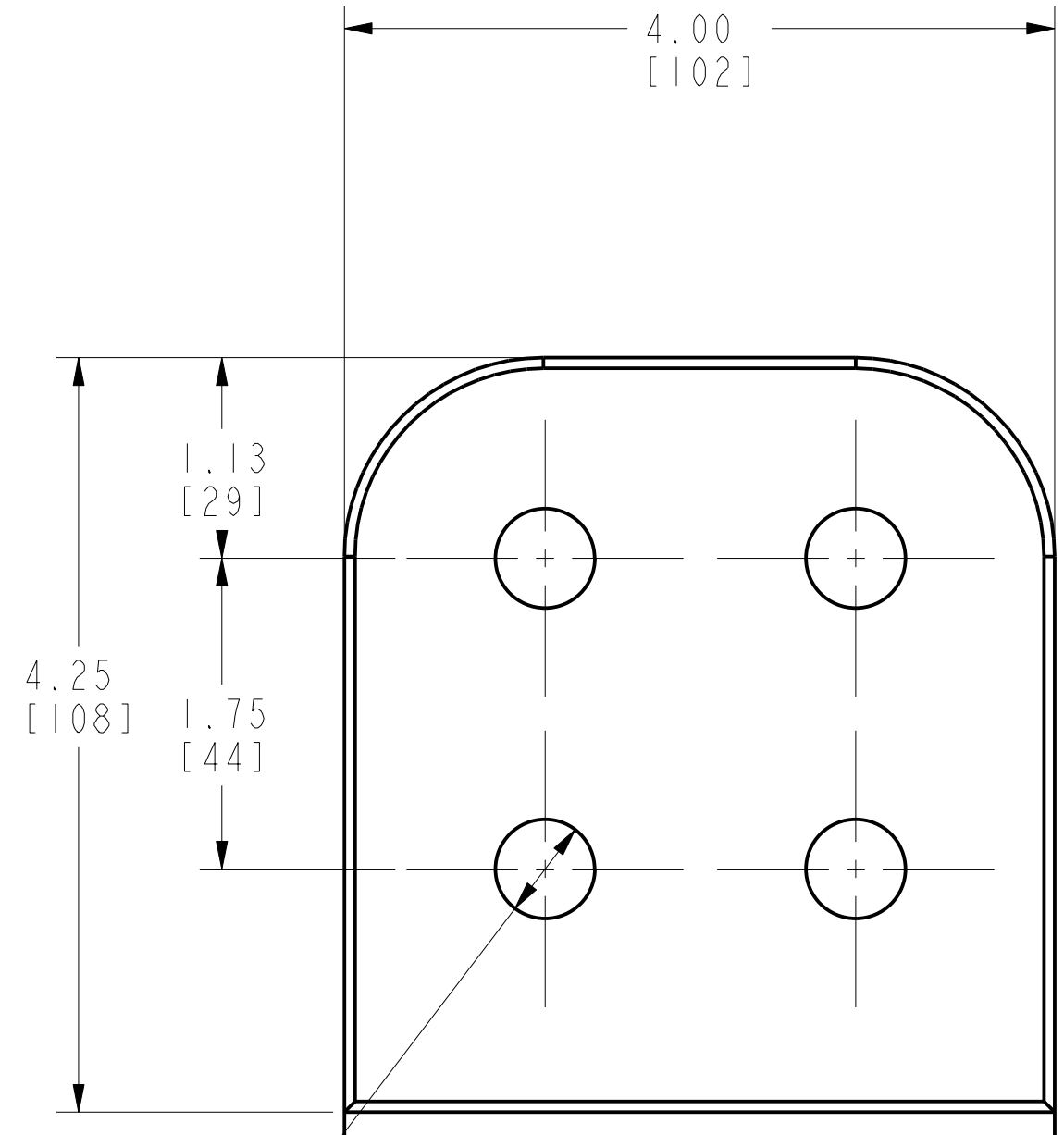
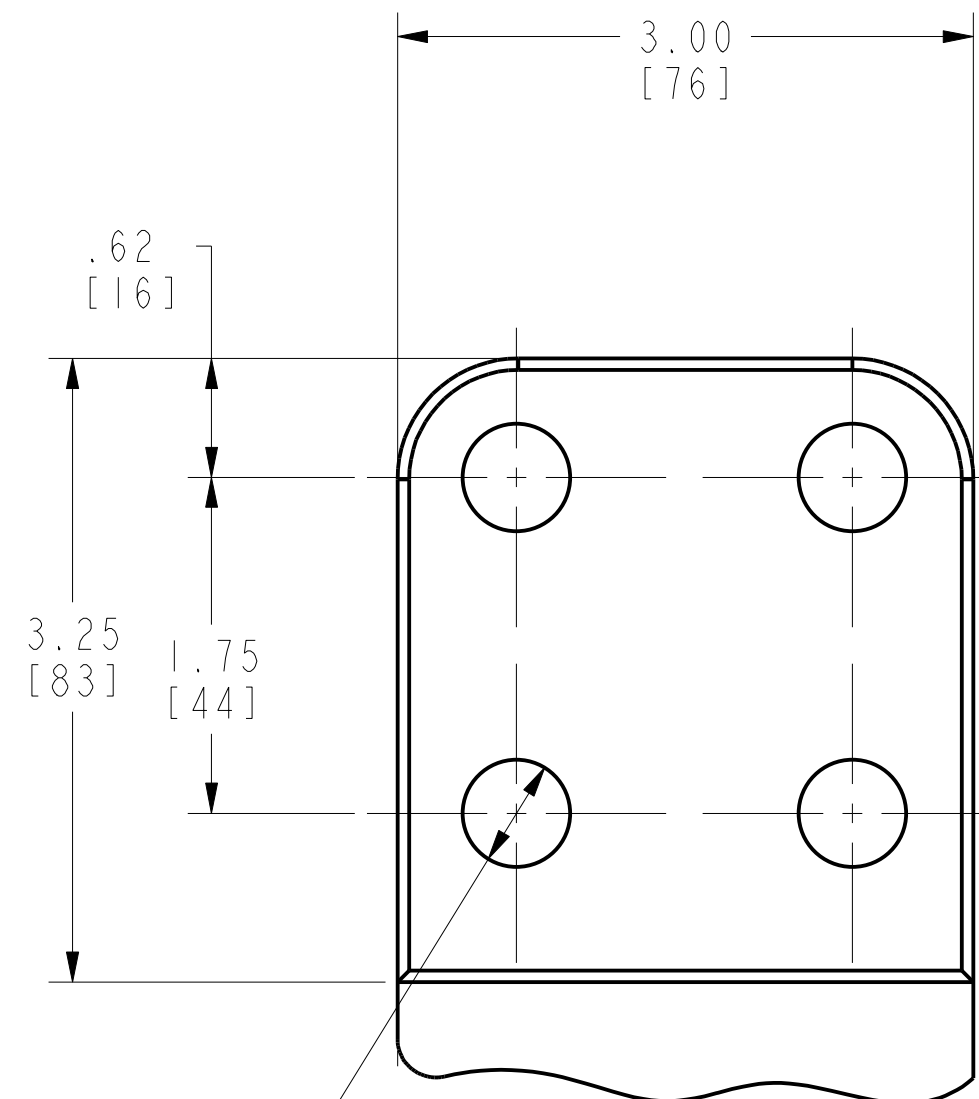
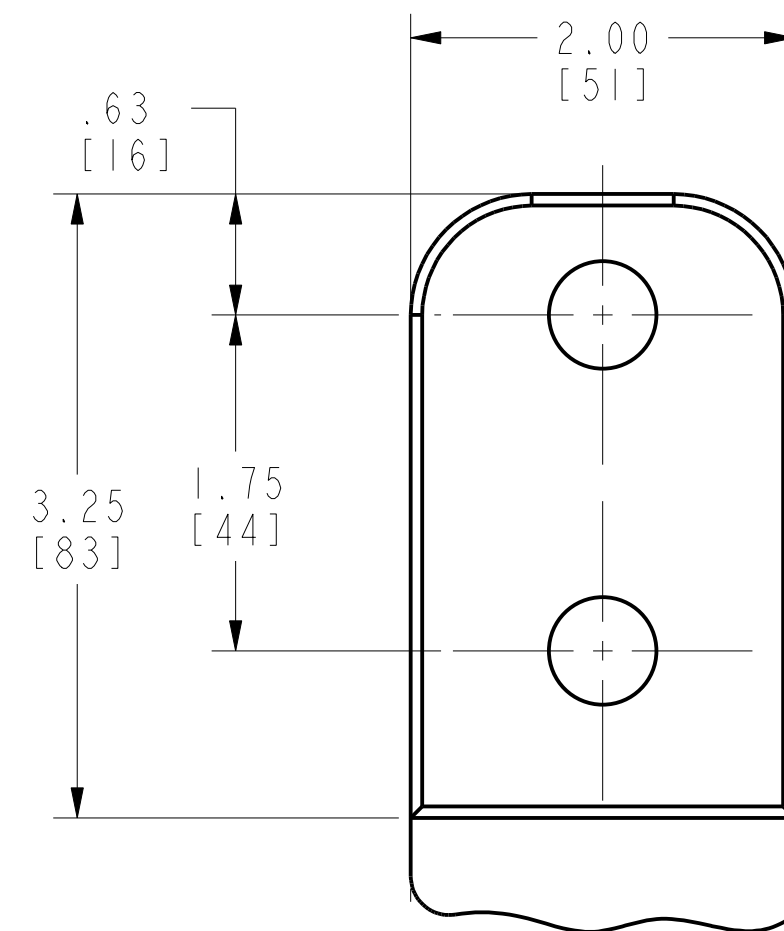
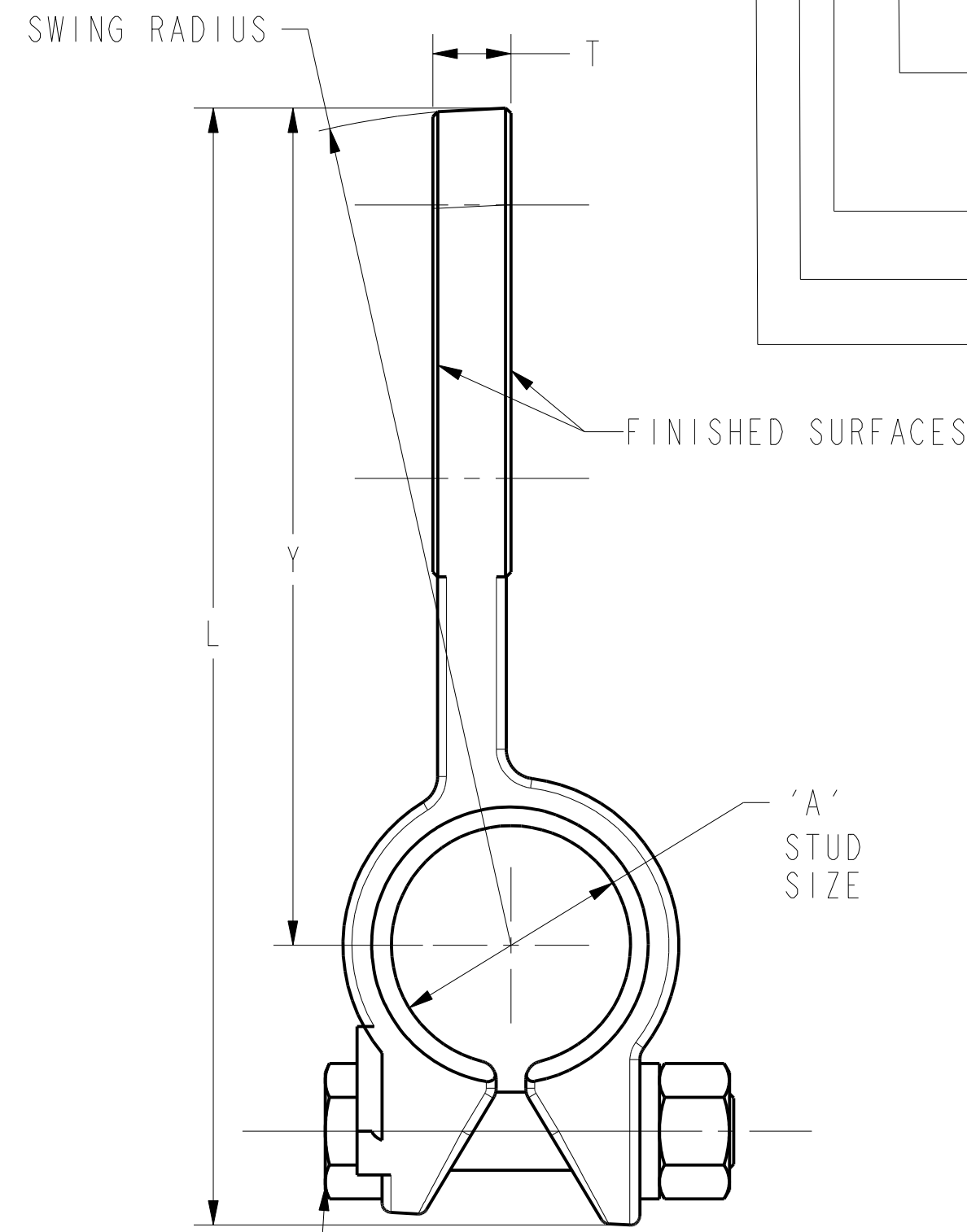


REV	DATE	DESCRIPTION	ECO	BY	C'H'K.
C	2018-03-20 00:00:00 EDT	FORMER ADDED IN TABLE	48731	KV	NJ

COMPOSITION OF CATALOG NUMBER

FDR64B5T16--

- 3 ADDITIONAL MODIFIERS
- 4
- 6
- 8
- 9
- 7 THREADS PER INCH IF OTHER THAN 12 THREAD PER INCH (TO = SMOOTH BORE)
- THICKNESS IN 1/16"
- PAD IDENTIFIER
- STUD SIZE



NOTES:

- 1 MATERIAL: CAST COPPER ALLOY.
- 2 ALL STUDS ARE TWELVE (12) THREADS PER INCH (TPI) UNLESS OTHERWISE SPECIFIED IN CATALOG NUMBER IF THREADS OTHER THAN 12 TPI ARE REQUIRED, ADD SUFFIX 'T16', ETC. AS REQUIRED, E.G: FDR64B5T16, 'T16' INDICATES 16 TPI. FDR65C6T14, 'T14' INDICATES 14 TPI. FDR67D8T0, 'T0' INDICATES SMOOTH STUD (NO THREADS)
- 3 STUD CONNECTORES MAY BE PURCHASED IN MANY PLATING VARIATIONS BY ADDING SUFFIX TO END OF CATALOG NUMBER. EXAMPLES: "TN" = TIN PLATED, "SV" = SILVER PLATED, "W" = HOT TIN DIPPED AND "NK" = NICKEL PLATED.
- 4 WHEN SUFFIX "U" IS ADDED TO THE CATALOG NUMBER THE TONGUE SHALL BE UNDRILLED.
- 5 DIMENSIONS IN BRACKET [ ] ARE IN MILLIMETERS, AND ARE FOR REFERENCE ONLY.
- 6 WHEN SUFFIX "TX" IS ADDED TO THE CATALOG NUMBER THE FOLLOWING HARDWARE SHALL BE SUPPLIED: GALVANIZED STEEL HEX HEAD BOLT AND NUT PER INTERNAL SPECIFICATION H242 AND GALVANIZED STEEL SPLIT LOCKWASHERS PER INTERNAL SPECIFICATION H229, TYPE I.
- 7 "T0" INDICATES SMOOTH BORE.
- 8 SUFFIX "J0" INDICATES THAT CONNECTOR IS SUPPLIED WITHOUT ANY HARDWARE.
- 9 THESE MODIFIERS MAY BE APPLIED TO ANY CATALOG NUMBER.

TO ORDER BURNDY® PRODUCTS CALL		STUD CONNECTOR	
UNITED STATES		ITEM NO:	SEE TABLE
1-800-346-4175 (LONDONDERRY, NH)		CAT. NO:	FDR & FDR-T(TABLE)
CANADA:		DRAWN BY:	J SUDHAKAR
1-800-361-6975 (QUEBEC)		CHECKER:	R LAVOIE
1-800-387-6487 (ALL OTHER PROVINCES)		DSN APPVL:	R LAVOIE 04/14/18
FOR PRODUCT INFO: <a href="http://www.burndy.com">http://www.burndy.com</a>		MFG APPVL:	---
		QA APPVL:	J HILLMAN 04/16/18
		MKT APPVL:	J HALL 04/17/18
		PROD FAM:	SUBSTATION
		PROJECT #:	---
		DOCUMENT TYPE:	Sales
		REL LEVEL:	Released
		SCALE:	1:1
		DRAWING NO	SD079587
		REV	C
		SHEET 1 OF 2	

DRAWING NO. SD079587		7			6			5			4		3		2		1																							
ITEM NUMBER	CATALOG NUMBER	'A' STUD SIZE	PAD	B	J DIA.	L	T	Y	SWING RADIUS	NOMINAL AMPERE RATINGS	REV	DATE	DESCRIPTION	ECO	BY	C'H'K.																								
50090636	FDR64B5T16	3/4"-16	B	1.75 [44]	3/8"-16	5.02 [128]	.31 [8]	3.89 [99]	3.90 [99]	700	C	2018-03-20 00:00:00 EDT	FDR68D16 ADDED IN TABLE	48731	KV	NJ																								
50090637	FDR64C5T16		C			5.02 [128]	.31 [8]	3.89 [99]	3.90 [99]	1000																														
25014137	FDR65B6T14	1"-14	B			2.18 [55]	1/2"-13	5.27 [134]	.38 [10]	4.02 [102]	4.03 [102]	750	2.50 [64]																											
10033690	FDR65C6T14		C					5.27 [134]	.38 [10]	4.02 [102]	4.03 [102]	1075																												
25019970	FDR655B6	1 1/8"-12	B					2.88 [73]	5/8"-11	5.44 [138]	.38 [10]	4.14 [105]							4.15 [105]	750	3.00 [76]																			
25019971	FDR655C6		C							5.44 [138]	.38 [10]	4.14 [105]							4.15 [105]	1075																				
25019972	FDR655D6		D							6.50 [165]	.38 [10]	5.20 [132]							5.20 [132]	1300																				
25019974	FDR66B6	1 1/4"-12	B							3.00 [76]		5.57 [141]							.38 [10]	4.20 [107]							4.21 [107]	750												
25019836	FDR66C6		C									5.57 [141]							.38 [10]	4.20 [107]							4.21 [107]	1075												
10061652	FDR66D6	D	6.63 [168]									.38 [10]							5.26 [134]	5.27 [134]							1300													
10016938	FDR67B6	1 1/2"-12	B	2.50 [64]								5.99 [152]							.38 [10]	4.31 [109]							4.32 [110]	750												
10002018	FDR67C6		C									5.99 [152]							.38 [10]	4.31 [109]							4.32 [110]	1075												
296002	FDR67D8		D			7.05 [179]	.50 [13]					5.37 [136]	5.38 [137]	1450																										
10012563	FDR675C8	1 3/4"-12	C			2.88 [73]						6.31 [160]	.50 [13]	4.51 [115]	4.53 [115]	1100																								
26001403	FDR675D8		D					7.37 [187]	.50 [13]			5.99 [152]	6.00 [152]	1450																										
50090638	FDR68C8	2"-12	C					3.25 [83]				6.85 [174]	.50 [13]	4.91 [125]	4.94 [125]	1100																								
25019978	FDR68D8		D									7.91 [200]	.50 [13]	5.97 [152]	5.99 [152]	1450																								
50086409	FDR68D12		D							7.91 [200]	.75 [19]	5.97 [152]	6.02 [153]	2100																										
10020174	FDR68D16		D							7.91 [200]	1.00 [25]	5.97 [152]	6.05 [154]	3000																										
50090639	FDR685C8	2 1/4"-12	C							3.25 [83]		7.18 [182]	.50 [13]	4.81 [122]	4.83 [123]	1100																								
50090640	FDR685D8		D	8.24 [209]	.50 [13]							5.88 [149]	5.89 [150]	1450																										
50090641	FDR685D12		D	8.24 [209]	.75 [19]							5.88 [149]	5.91 [150]	2100																										
50090642	FDR69C8	2 1/2"-12	C	3.25 [83]								7.49 [190]	.50 [13]	5.00 [127]	5.01 [127]	1100																								
001318	FDR69D8		D			8.54 [217]	.50 [13]					6.06 [154]	6.07 [154]	1450																										
50090643	FDR69D12		D			8.54 [217]	.75 [19]					6.06 [154]	6.09 [155]	2100																										
50090644	FDR70C8		3"-12			C	3.25 [83]		8.12 [206]			.50 [13]	5.32 [135]	5.34 [136]	1100																									
50090645	FDR70D8	D				9.18 [233]			.50 [13]			6.38 [162]	6.39 [162]	1450																										
25020176	FDR70D12	D				9.18 [233]			.75 [19]			6.38 [162]	6.42 [163]	2100																										
275047	FDR70D16	D	9.18 [233]			1.00 [25]			6.38 [162]			6.46 [164]	3000																											
10067150	FDR70F16	3 1/4"-12	F			3.25 [83]				9.62 [244]	1.00 [25]	6.81 [173]	6.88 [175]	3000																										
10069976	FDR70F16SV		E							9.62 [244]	1.00 [25]	6.81 [173]	6.88 [175]	3000																										
50090646	FDR705C12		C							8.38 [213]	.75 [19]	5.43 [138]	5.48 [139]	1900																										
50090647	FDR705D12		D	9.44 [240]	.75 [19]					6.49 [165]	6.53 [166]	2100																												
50090648	FDR705D16	3 1/2"-12	D	3.25 [83]						9.44 [240]	1.00 [25]	6.49 [165]	6.56 [167]	3000																										
50090649	FDR71D12		D							9.78 [248]	.75 [19]	6.61 [168]	6.65 [169]	2100																										
50090650	FDR71D16		D				9.78 [248]	1.00 [25]		6.61 [168]	6.68 [170]	3000																												
50090651	FDR72D12	4"-12	D				3.25 [83]			10.26 [261]	.75 [19]	6.85 [174]	6.88 [175]	2100																										
100007485	FDR72D16		D							10.26 [261]	1.00 [25]	6.85 [174]	6.92 [176]	3000																										
50090652	FDR74D12	5"-12	D							3.25 [83]		11.31 [287]	.75 [19]	7.41 [188]																			7.44 [189]	2100						

FOR NOTES REFER SHEET 1 OF 2

TO ORDER BURNDY® PRODUCTS CALL		STUD CONNECTOR	
UNITED STATES 1-800-346-4175 (LONDONDERRY, NH)		ITEM NO: SEE TABLE	CAT. NO: FDR & FDR-T(TABLE)
CANADA: 1-800-361-6975 (QUEBEC) 1-800-387-6487 (ALL OTHER PROVINCES)		DRAWN BY: J SUDHAKAR	CHECKER: R LAVOTE
FOR PRODUCT INFO: <a href="http://www.burndy.com">http://www.burndy.com</a>		DSN APPVL: R LAVOTE 04/14/18	MFG APPVL: ---
		QA APPVL: J HILLMAN 04/16/18	MKT APPVL: J HALL 04/17/18
		PROD. FAM: SUBSTATION	DRAWING NO: SD079587
		PROJECT #: --	REV: C
		DOCUMENT TYPE: Sales	SHEET 2 OF 2
		REL. LEVEL: Released	SCALE: 1:1

D

D

C

C

B

B

A

A

REV: PE0200