

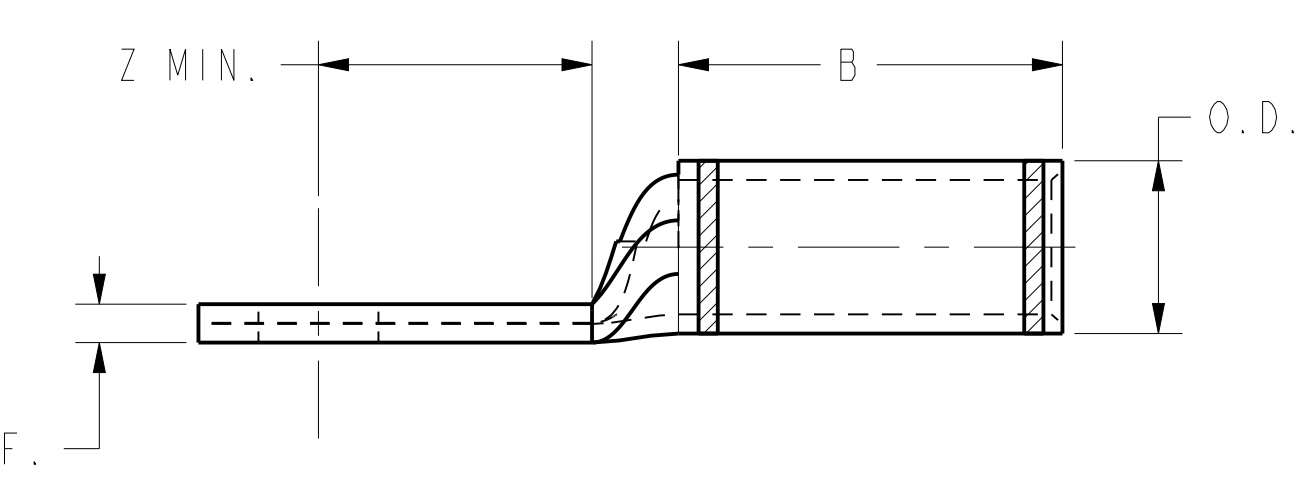
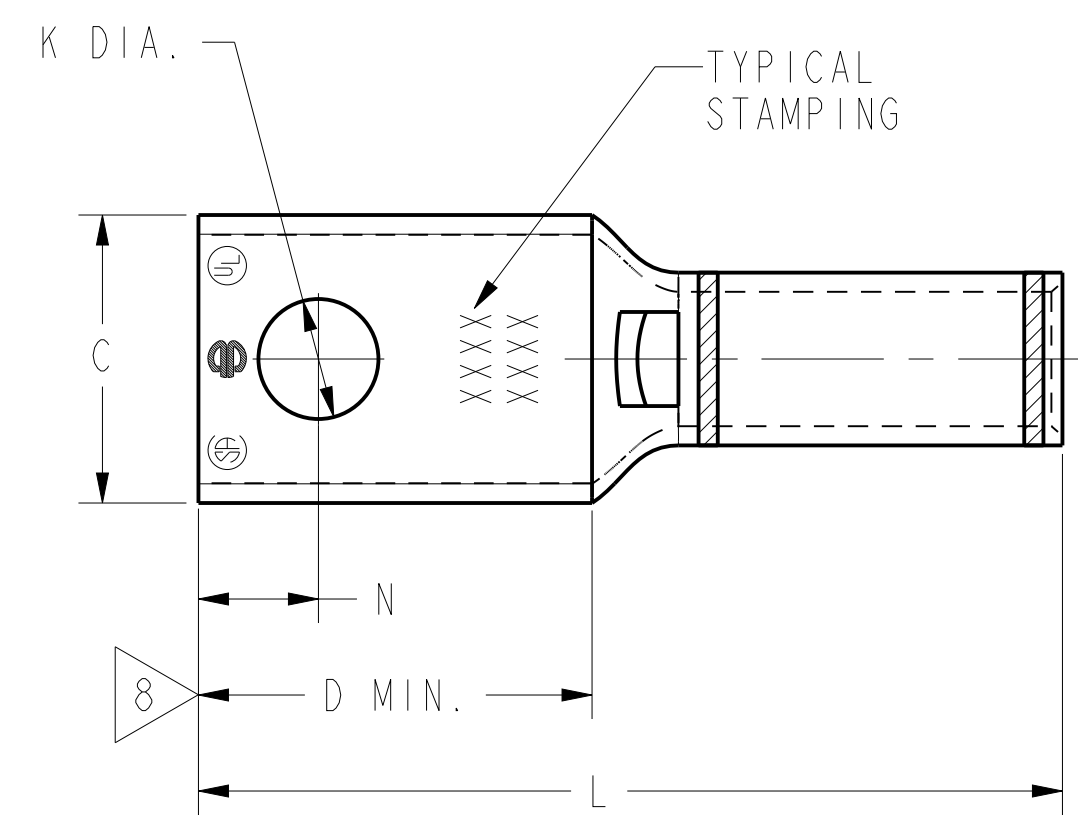
CATALOG NUMBER	STRANDED COPPER CONDUCTOR ACCOMMODATED			BOLT SIZE	METRIC BOLT SIZE	DIMENSIONS							
	CODE (AWG)	NAVY	METRIC SIZE (CLASS 2)			B	C	K DIA.	L	N	O.D.	T REF.	Z MIN.
YA8CL	#8 AWG #6 SOL	23	10mm ² STR [4.2]	8-10	----	.44 [11]	.41 [10]	.21 [5]	1.16 [29]	.22 [6]	.27 [7]	.08 [2]	.26 [7]
YA8CLBOX				8-10	----	.36 [9]	.21 [5]	1.16 [29]	.22 [6]	.09 [2]	.26 [7]		
YA8CLG4				1/4	M6	.44 [11]	.27 [7]	1.26 [32]	.25 [6]	.08 [2]	.33 [8]		
YA8CL1				5/16	----	.52 [13]	.33 [8]	1.38 [35]	.34 [9]	.06 [2]	.36 [9]		
YA8CL2				3/8	----	.58 [15]	.40 [10]	1.51 [38]	.41 [10]	.06 [2]	.42 [11]		
YA8CL3				1/2	M12	.71 [18]	.53 [13]	1.76 [45]	.53 [13]	.05 [1]	.55 [14]		
YA8CL4													

REV	DATE	DESCRIPTION	ECO	BY	CHK.
R	2021-11-30 00:00:00 EST	UPDATED AS PER MARKUP	211109014229	YR	RA

CONNECTOR SIZE	TOLERANCES					
	B	C	K DIA.	L	N	O.D.
-8C THRU -25	±.06	±.04	±.02	±.09	±.03	±.01
-26 THRU -34	±.08	±.04	±.02	±.12	±.03	±.01
-35 AND UP	±.09	±.06	±.02	±.15	±.06	±.01

TOLERANCE BLOCK

CATALOG NO.	COLOR CODE	DIE INFORMATION		MECHANICAL				HYDRAULIC						DIELESS (# CRIMPS)	WIRE STRIP LENGTH	
		DIE INDEX	TYPE	Y122CMR Y1MRTC	OUR840	MD6 MD7	MD6--R2 MD7-34R	Y500CT PATMD6 PAT600	Y34A Y34B Y34BH	Y35, Y39, Y750, PAT750	Y46, PAT46	Y45	Y48B			Y60BHU
YA8CL YA8CLBOX YA8CL1 YA8CL2 YA8CL3 YA8CL4 YA8CLG4	RED	49	RED DIE SET	RED (1)	X8CRT(1) W8CRT(1) W8CVT(1)	X8CRT(1) W8CVT(1) W8CRT(1)	X8CRT(1) W8CVT(1) W8CRT(1)	X8CRT(1) W8CVT(1) W8CRT(1)	-----	U8CRT(1)	U8CRT(1)	U8CRT(1)			RATCHET: Y8MRB-1(1)	7/16"
	NEST														MECHANICAL: MY29-3(1) MY29-11(1) MRC840(1)	
	INDENTOR														HYDRAULIC: Y81KFT (1) Y4PC834 (1)	



- NOTES:
- MATERIAL: COPPER TUBING.
 - FINISH: TIN PLATED.
"FOR ALTERNATIVE FINISH ADD ONE OF THE FOLLOWING SUFFIXES:
NICKEL = NK, LEAD = LD, BARE = BR, SILVER = SV"
 - CATALOG NUMBERS MAY END IN SUFFIX "BOX" WHICH DENOTES SMALLER UNIT PACKAGING.
 - INSTALLATION TOOLING AND DIES ARE CONSTANTLY BEING UPDATED. FOR THE LATEST INSTALLATION TOOLING INFORMATION REFER TO THE MASTER CATALOG ON THE BURNDY WEBSITE
 - DIMENSIONS IN BRACKETS [] ARE IN MILLIMETERS ROUNDED OFF TO THE NEAREST MILLIMETER, UNLESS OTHERWISE NOTED, AND ARE FOR REFERENCE ONLY.
 - CONNECTORS ARE UL LISTED; UNDRILLED VERSIONS ARE NOT UL LISTED.
 - CONNECTORS ARE CSA CERTIFIED; UNDRILLED VERSIONS ARE NOT CSA CERTIFIED.
 - FOR UNDRILLED VERSIONS ADD SUFFIX "-U" TO END OF CATALOG NUMBER.
FOR UNDRILLED VERSIONS, USE D MIN. = N MAX. + Z MIN.

REFERENCE: SE209240

TO ORDER BURNDY@PRODUCTS CALL		HULLUG™ COPPER	
UNITED STATES: 1-800-346-4175 (LONDONDERRY, NH)		ITEM NO: N/A	SCALE: 1:1
CANADA: 1-800-361-6975 (QUEBEC) 1-800-387-6487 (ALL OTHER PROVINCES)		CAT. NO: YA-L, YA-L-TC-	
FOR PRODUCT INFO: http://www.burndy.com		DRAWN BY: C. RACANO 11/29/76	
		CHECKER: CAR 12/10/76	REV
		DSN APPVL: LB 12/10/76	
		MFG APPVL: N/A	
		QA APPVL: C. ACKERMAN 9/30/94	
		MKT APPVL: T. NELSON 9/07/94	
		PROD FAM: CM&R COMPRESSION	
		PROJECT #: --	
		DOCUMENT TYPE: Sales	
		REL LEVEL: Released	
		DRAWING NO: SD079848	
		SHEET 1 OF 17	

REV: CREO_08/10/21

REV	DATE	DESCRIPTION	ECO	BY	C.H.K.
R	2021-11-30 00:00:00 EST	UPDATED AS PER WORKUP	211109014229	YR	RA

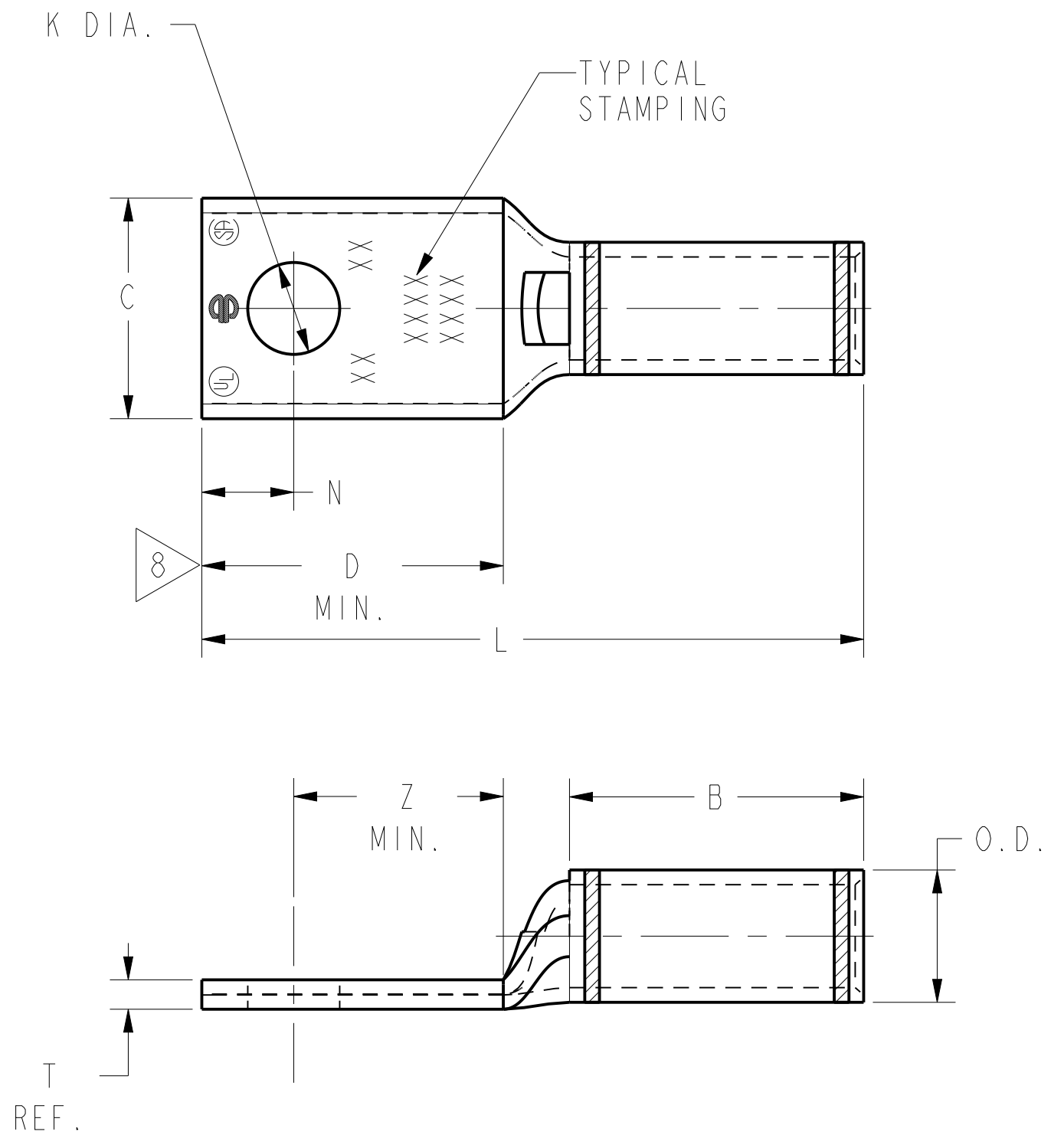
CATALOG NUMBER	STRANDED COPPER CONDUCTOR ACCOMMODATED			BOLT SIZE	METRIC BOLT SIZE	DIMENSIONS								
	CODE (AWG)	NAVY	METRIC SIZE (CLASS 2)			B	C	D MIN.	K DIA.	L	N	O.D.	T REF.	Z MIN.
YA6CL	#6 AWG SOL/STR	-----	-----	1/4	M6	.54 [14]	.45 [11]	----	.27 [7]	1.45 [37]	.31 [8]	.29 [7]	.08 [2]	.33 [8]
YA6CL1				8-10	----		.41 [10]	----	.20 [5]	1.27 [32]	.22 [6]		.09 [2]	.23 [6]
YA6CL1BOX				8-10	----		.36 [9]	----	.21 [5]	1.28 [33]	.22 [6]		.10 [3]	.26 [7]
YA6CL1G1				5/16	----		.52 [13]	----	.33 [8]	1.52 [39]	.34 [9]		.07 [2]	.36 [9]
YA6CL3														

CONNECTOR SIZE	TOLERANCES					
	B	C	K DIA.	L	N	O.D.
-8C THRU -25	±.06	±.04	±.02	±.09	±.03	±.01
-26 THRU -34	±.08	±.04	±.02	±.12	±.03	±.01
-35 AND UP	±.09	±.06	±.02	±.15	±.06	±.01

TOLERANCE BLOCK

CATALOG NO.	COLOR CODE	DIE INFORMATION		MECHANICAL RATCHET				HYDRAULIC						DIELESS (# OF CRIMPS)	WIRE STRIP LENGTH	
		DIE INDEX	TYPE	Y122CMR Y1MRTC	OUR840	MD6 MD7	MD6--R2 MD7-34R	Y500CT PATMD6 PAT600	Y34A Y34B Y34BH	Y35, Y39 Y750, PAT750	Y46 PAT46	Y45	Y48B			Y60BHU
YA6CL YA6CL1 YA6CL1BOX YA6CL1G1 YA6CL3	BLUE	7 374	BLUE DIE SET	BLUE (1)	X5CRT(1) X8CART(1)	X5CRT(1) W5CRT(1) W5CVT(1)	X5CRT(1) W5CRT(1) W5CVT(1)	X5CRT(1) W5CRT(1) W5CVT(1)	-----	U5CRT(1) U8CABT(1)	U5CRT(1) U8CABT(1)	U5CRT(1) U8CABT(1)	-----	-----	MECHANICAL: MY29-3 (1) MY29-11 (1) MRC840 (1)	9/16"
			NEST						A6CD(1) B6CD(1)	U6CD-1(1)	U6CD-1(1)	U6CD-1(1)			HYDRAULIC: Y644 (1) Y81KFT (1) Y4PC834 (1)	
			INDENTOR						Y34PR	Y34PR	Y34PR	Y34PR				

- NOTES:
- MATERIAL: COPPER TUBING.
 - FINISH: TIN PLATED.
"FOR ALTERNATIVE FINISH ADD ONE OF THE FOLLOWING SUFFIXES:
NICKEL = NK, LEAD = LD, BARE = BR, SILVER = SV"
 - CATALOG NUMBERS MAY END IN SUFFIX "BOX" WHICH DENOTES SMALLER UNIT PACKAGING.
 - INSTALLATION TOOLING AND DIES ARE CONSTANTLY BEING UPDATED. FOR THE LATEST INSTALLATION TOOLING INFORMATION REFER TO THE MASTER CATALOG ON THE BURNDY WEBSITE
 - DIMENSIONS IN BRACKETS [] ARE IN MILLIMETERS ROUNDED OFF TO THE NEAREST MILLIMETER, UNLESS OTHERWISE NOTED, AND ARE FOR REFERENCE ONLY.
 - CONNECTORS ARE UL LISTED; UNDRILLED VERSIONS ARE NOT UL LISTED.
 - CONNECTORS ARE CSA CERTIFIED; UNDRILLED VERSIONS ARE NOT CSA CERTIFIED.
 - FOR UNDRILLED VERSIONS ADD SUFFIX "-U" TO END OF CATALOG NUMBER.
FOR UNDRILLED VERSIONS, USE D MIN. = N MAX. + Z MIN.
 - X8CABT & U8CABT DIES USED ON YA6C-- HYLUG™ NOT YA5C--HYLUG™.
 - INSTALL 6 AWG SOL. WITH THESE TOOLS ONLY.



REFERENCE: SE209240

TO ORDER BURNDY@PRODUCTS CALL		HYLUG™ COPPER	
UNITED STATES: 1-800-346-4175 (LONDONDERRY, NH)		ITEM NO: N/A	CAT. NO: YA-L, YA-L-TC-, YAV-TC-
CANADA: 1-800-361-6975 (QUEBEC) 1-800-387-6487 (ALL OTHER PROVINCES)		DRAWN BY: C. RACCANO 06/16/1977	CHECKER: CAR 06/16/1977
FOR PRODUCT INFO: http://www.burndy.com		DSN APPVL: LB 06/24/1977	MFG APPVL: N/A --
		QA APPVL: C. ACKERMAN 09/30/1994	MKT APPVL: T. NELSON 09/07/1994
		PROD FAM: CM&R COMPRESSION	DRAWING NO: SD079848
		PROJECT #: --	SCALE: 1:1
		DOCUMENT TYPE: Sales	REV: R
		REL LEVEL: Released	SHEET 2 OF 17

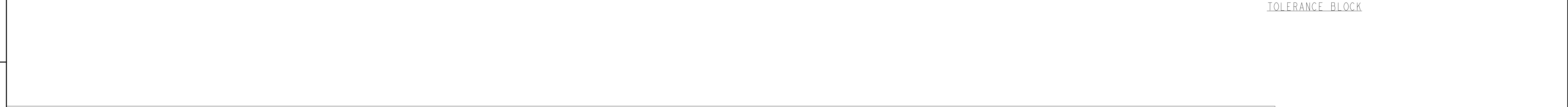
REV: CREO 08/10/21

REV	DATE	DESCRIPTION	ECO	BY	CHK.
R	2021-11-30 00:00:00 EST	UPDATED AS PER MARKUP	211109014229	YR	RA

CATALOG NUMBER	STRANDED COPPER CONDUCTOR ACCOMMODATED			BOLT SIZE	METRIC BOLT SIZE	DIMENSIONS								
	CODE (AWG)	NAVY	METRIC SIZE (CLASS 2)			B	C	D MIN.	K DIA.	L	N	O.D.	T REF.	Z MIN.
YA6CL4	#6 AWG SOL/STR	-----	-----	3/8	----	.54 [14]	.63 [16]	-----	.41 [10]	1.62 [41]	.41 [10]	.29 [7]	.06 [2]	.38 [10]
YA6CL4U				3/8	----	.54 [14]	.63 [16]	-----	-----	1.62 [41]	-----	.29 [7]	.06 [2]	.38 [10]
YA6CL6				1/2	M12	.54 [14]	.75 [19]	-----	.53 [13]	1.87 [48]	.53 [13]	.29 [7]	.12 [3]	.55 [14]
YA5CL	#5 AWG	30	-----	1/4	M6	.81 [21]	.44 [11]	-----	.27 [7]	1.65 [42]	.25 [6]	.30 [8]	.07 [2]	.33 [8]

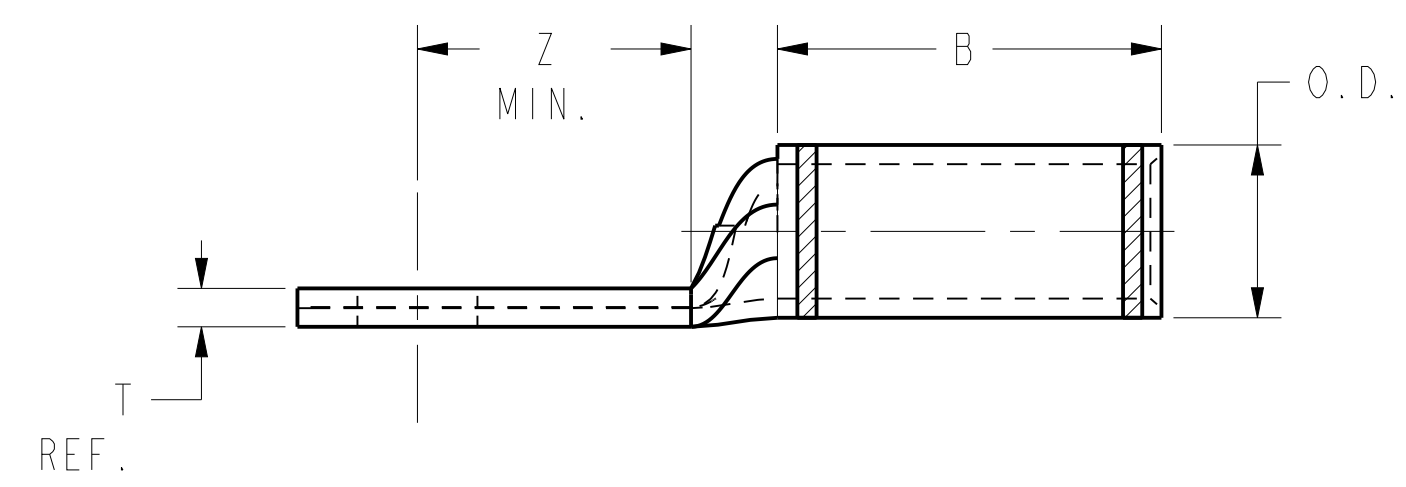
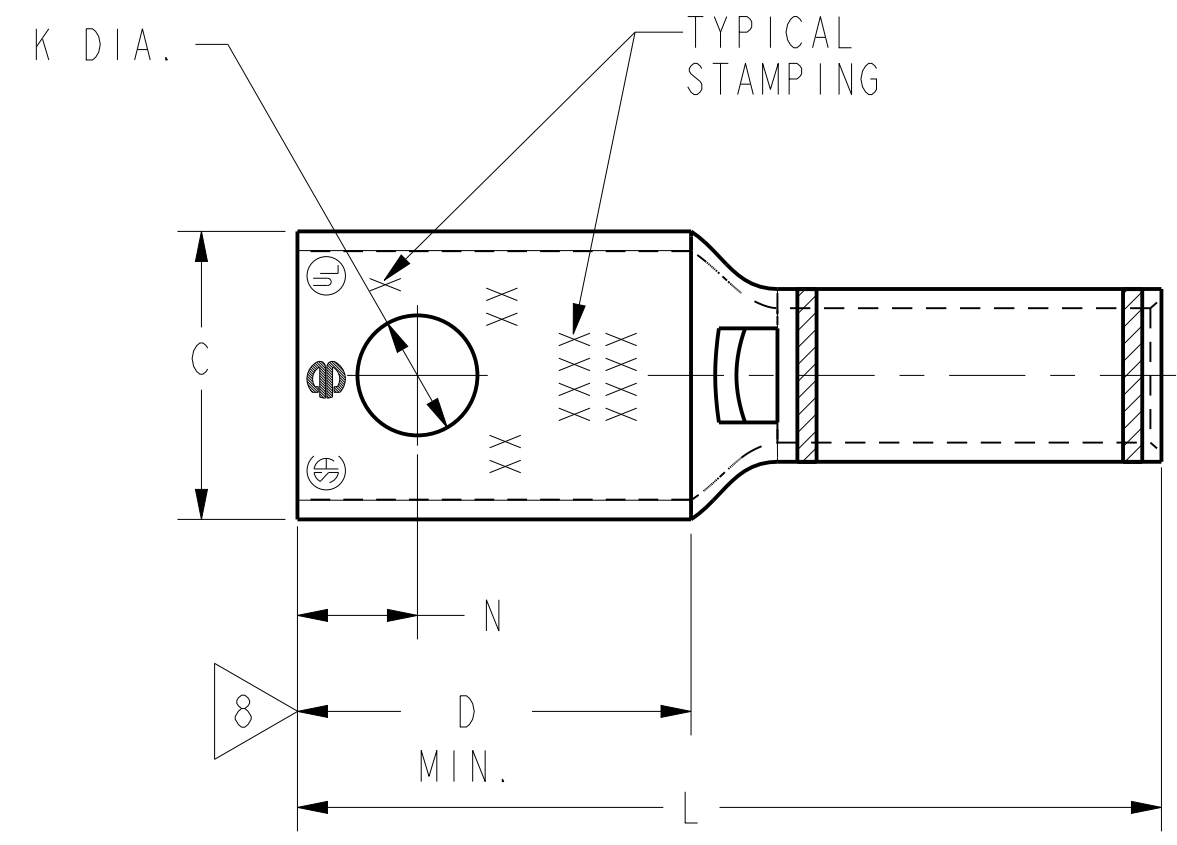
CONNECTOR SIZE	TOLERANCES					
	B	C	K DIA.	L	N	O.D.
-8C THRU -25	±.06	±.04	±.02	±.09	±.03	±.01
-26 THRU -34	±.08	±.04	±.02	±.12	±.03	±.01
-35 AND UP	±.09	±.06	±.02	±.15	±.06	±.01

TOLERANCE BLOCK



INSTALLATION TOOLING (# CRIMPS)																
CATALOG NUMBER	COLOR CODE	DIE INFORMATION		MECHANICAL					HYDRAULIC					DIELESS (# OF CRIMPS)	WIRE STRIP LENGTH	
		DIE INDEX	TYPE	Y122CMR Y1MRTC	OUR840	MD6 MD7	MD6--R2 MD7-34R	Y500CT PATMD6 PAT600	Y34A Y34B Y34BH	Y35, Y39, PAT750 Y750, PAT750	Y46 PAT46	Y45	Y48B			Y60BHU
YA6CL4	BLUE	7 374	BLUE DIE SET	BLUE (1)	X5CRT(1) X8CART(1)	X5CRT(1) W5CRT(1) W5CVT(1) X8CART(1)	X5CRT(1) W5CRT(1) W5CVT(1) X8CART(1)	X5CRT(1) W5CRT(1) W5CVT(1)	-----	U5CRT(1) U8CABT(1)	U5CRT(1) U8CABT(1)	U5CRT(1) U8CABT(1)	-----	-----	MECHANICAL: MY29-3 (1) MY29-11 (1) MRC840 (1)	9/16"
YA6CL6			NEST	-----	-----	-----	-----	-----	A6CD(1) B6CD(1)	U6CD-1(1)	U6CD-1(1)	U6CD-1(1)	-----	-----	HYDRAULIC: Y644 (1) Y81KFT (1) Y4PC834 (1)	
YA5CL			INDENTOR	-----	-----	-----	-----	-----	-----	Y34PR	Y34PR	Y34PR	Y34PR	-----	-----	

- NOTES:
- MATERIAL: COPPER TUBING.
 - FINISH: TIN PLATED.
"FOR ALTERNATIVE FINISH ADD ONE OF THE FOLLOWING SUFFIXES:
NICKEL = NK, LEAD = LD, BARE = BR, SILVER = SV"
 - CATALOG NUMBERS MAY END IN SUFFIX "BOX" WHICH DENOTES SMALLER UNIT PACKAGING.
 - INSTALLATION TOOLING AND DIES ARE CONSTANTLY BEING UPDATED. FOR THE LATEST INSTALLATION TOOLING INFORMATION REFER TO THE MASTER CATALOG ON THE BURNDY WEBSITE
 - DIMENSIONS IN BRACKETS [] ARE IN MILLIMETERS ROUNDED OFF TO THE NEAREST MILLIMETER, UNLESS OTHERWISE NOTED, AND ARE FOR REFERENCE ONLY.
 - CONNECTORS ARE UL LISTED; UNDRILLED VERSIONS ARE NOT UL LISTED.
 - CONNECTORS ARE CSA CERTIFIED. UNDRILLED VERSIONS ARE NOT CSA CERTIFIED.
 - FOR UNDRILLED VERSIONS ADD SUFFIX "-U" TO END OF CATALOG NUMBER.
FOR UNDRILLED VERSIONS, USE D MIN. = N MAX. + Z MIN.
 - X8CABT & U8CABT DIES USED ON YA6C-- HYLUG™ NOT YA5C--HYLUG™
 - INSTALL 6 AWG SOL. WITH THESE TOOLS ONLY.



REFERENCE: SE209240

TO ORDER BURNDY@PRODUCTS CALL		HYLUG™ COPPER	
UNITED STATES: 1-800-346-4175 (LONDONDERRY, NH)		ITEM NO: N/A	CAT. NO: YA-L, YA-L-TC-, YAV-TC-
CANADA: 1-800-361-6975 (QUEBEC) 1-800-387-6487 (ALL OTHER PROVINCES)		DRAWN BY: C. RACCANO 6/16/77	CHECKER: CAR 6/16/77
FOR PRODUCT INFO: http://www.burndy.com		DSN APPVL: LB 6/24/77	MFG APPVL: N/A N/A
		QA APPVL: C. ACKERMAN 9/30/94	MKT APPVL: T. NELSON 9/7/94
		SCALE: 1:1	
		PROD FAM: CM&R COMPRESSION	DRAWING NO: SD079848
		PROJECT #: --	SIZE: D
		DOCUMENT TYPE: Sales	SHEET 3 OF 17
		REL LEVEL: Released	REV: R

REV: CREO 08/10/21

REV	DATE	DESCRIPTION	ECO	BY	C.H.K.
R	2021-11-30 00:00:00 EST	UPDATED AS PER WORKUP	211109014229	YR	RA

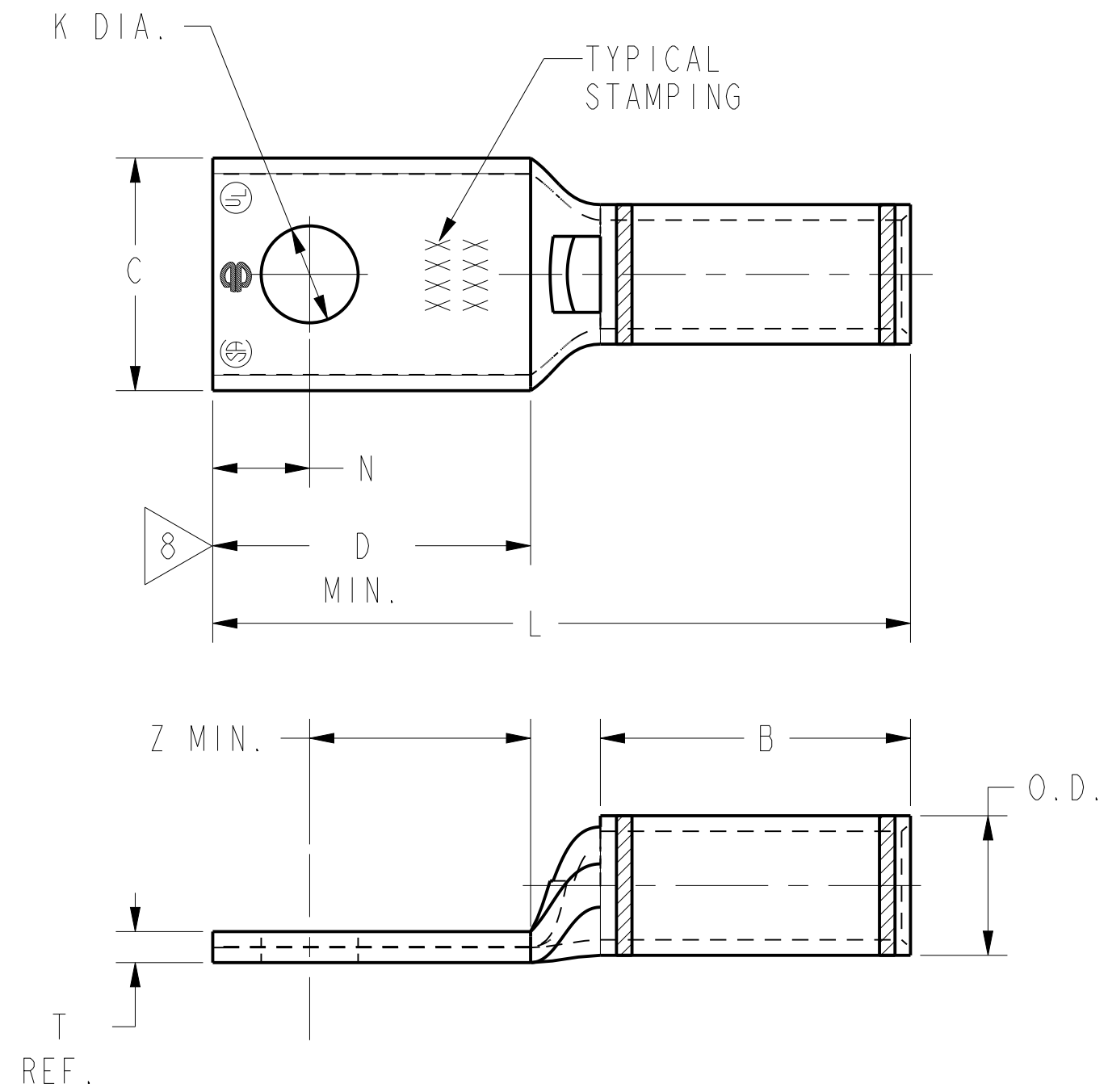
CATALOG NUMBER	STRANDED COPPER CONDUCTOR ACCOMMODATED			BOLT SIZE	METRIC BOLT SIZE	DIMENSIONS									
	CODE (AWG)	NAVY	METRIC SIZE (CLASS 2)			B	C	D MIN. 8	K DIA.	L	N	O.D.	T REF.	Z MIN.	
YA4CL1	#4 AWG ↑ ↓ #4 AWG	40 ↑ ↓ 40	----- ↑ ↓ -----	8-10	M5	.81 [21]	.50 [13]	-----	.21 [5]	1.58 [40]	.25 [6]	.34 [9] ↑ ↓ .34 [9]	.09 [2]	.24 [6]	
YA4CL1U				-----	-----	.50 [13]	.52 [13]	-----	1.57 [40]	-----	.09 [2]		-----		
YA4CL				1/4	M6	.50 [13]	-----	.27 [7]	1.74 [44]	.31 [8]	.09 [2]		.33 [8]		
YA4CLU				-----	-----	.50 [13]	.61 [15]	-----	1.67 [42]	-----	.09 [2]		-----		
YA4CL3				5/16	M8	.50 [13]	-----	.33 [8]	1.79 [45]	.34 [9]	.09 [2]		.42 [11]		
YA4CL3BOX						-----	-----	.58 [15]	-----	.41 [10]	1.92 [49]		.41 [10]	.08 [2]	.42 [11]
YA4CL4						3/8	-----	.58 [15]	.86 [22]	-----	1.95 [50]		-----	.08 [2]	-----
YA4CL4U				-----	-----	.64 [16]	-----	.47 [12]	2.03 [52]	.46 [12]	.07 [2]		.48 [12]		
YA4CL5				7/16	-----	.71 [18]	-----	.53 [13]	2.20 [56]	.53 [13]	.06 [2]		.55 [14]		
YA4CL6						1/2	M12	.81 [21]	.71 [18]	-----	.53 [13]		2.20 [56]	.53 [13]	.06 [2]

CONNECTOR SIZE	TOLERANCES					
	B	C	K DIA.	L	N	O.D.
-8C THRU -25	±.06	±.04	±.02	±.09	±.03	±.01
-26 THRU -34	±.08	±.04	±.02	±.12	±.03	±.01
-35 AND UP	±.09	±.06	±.02	±.15	±.06	±.01

TOLERANCE BLOCK

INSTALLATION TOOLING (# CRIMPS)																
CATALOG NUMBER	COLOR CODE	DIE INFORMATION		MECHANICAL				HYDRAULIC						DIELESS (# CRIMPS)	WIRE STRIP LENGTH	
		DIE INDEX	TYPE	Y122CMR Y1MRTC	OUR840	MD6 MD7	MD6--R2 MD7-34R	Y500CT PATMD6 PAT600	Y34A Y34B Y34BH	Y35, Y39 Y750, PAT750	Y46 PAT46	Y45	Y48B			Y60BHU
YA4CL1 YA4CL1U YA4CL YA4CLU YA4CL3 YA4CL3BOX YA4CL4 YA4CL4U YA4CL5 YA4CL6	GRAY	8 346	GRAY DIE SET	GRAY (2)	X4CRT(1)	X4CRT(1) W4CRT(1) W4CVT(1)	X4CRT(1) W4CRT(1) W4CVT(1)	X4CRT(1) W4CRT(1) W4CVT(1)	-----	U4CRT(1) U6CABT(1)	U4CRT(1) U6CABT(1)	U4CRT(1) U6CABT(1)	-----	-----	7/8"	
	NEST		-----	-----	-----	-----	A4CD(1) B4CD(1)	U4CD-1(1)	U4CD-1(1)	U4CD-1(1)	-----	-----	HYDRAULIC: Y644 (1) Y81KFT (1) Y4PC834 (1)			
	INDENTOR		-----	-----	-----	-----	Y34PR	Y34PR	Y34PR	Y34PR	-----	-----				

- NOTES:
- MATERIAL: COPPER TUBING.
 - FINISH: TIN PLATED.
"FOR ALTERNATIVE FINISH ADD ONE OF THE FOLLOWING SUFFIXES:
NICKEL = NK, LEAD = LD, BARE = BR, SILVER = SV"
 - CATALOG NUMBERS MAY END IN SUFFIX "BOX" WHICH DENOTES SMALLER UNIT PACKAGING.
 - INSTALLATION TOOLING AND DIES ARE CONSTANTLY BEING UPDATED. FOR THE LATEST INSTALLATION TOOLING INFORMATION REFER TO THE MASTER CATALOG ON THE BURNDY WEBSITE
 - DIMENSIONS IN BRACKETS [] ARE IN MILLIMETERS ROUNDED OFF TO THE NEAREST MILLIMETER, UNLESS OTHERWISE NOTED, AND ARE FOR REFERENCE ONLY.
 - CONNECTORS ARE UL LISTED; UNDRILLED VERSIONS ARE NOT UL LISTED.
 - CONNECTORS ARE CSA CERTIFIED. UNDRILLED VERSIONS ARE NOT CSA CERTIFIED.
 - FOR UNDRILLED VERSIONS ADD SUFFIX "-U" TO END OF CATALOG NUMBER.
FOR UNDRILLED VERSIONS, USE D MIN. = N MAX. + Z MIN.



REFERENCE: SE209240

TO ORDER BURNDY@PRODUCTS CALL		HYLUG™ COPPER	
UNITED STATES: 1-800-346-4175 (LONDONDERRY, NH)		ITEM NO: N/A	CAT. NO: YA4C-L - (TABLE)
CANADA: 1-800-361-6975 (QUEBEC) 1-800-387-6487 (ALL OTHER PROVINCES)		DRAWN BY: C. RACCANO 8/16/77	CHECKER: CAR 6/16/77
FOR PRODUCT INFO: http://www.burndy.com		DSN APPVL: LB 6/16/77	MFG APPVL: N/A N/A
		QA APPVL: C. ACKERMAN 9/30/94	MKT APPVL: T. NELSON 9/07/94
		SCALE: 1:1	
		PROD FAM: CM&R COMPRESSION	DRAWING NO: SD079848
		PROJECT #: --	SIZE: D
		DOCUMENT TYPE: Sales	SHEET 4 OF 17
		REL LEVEL: Released	REV: R

REV: CREO_08/10/21

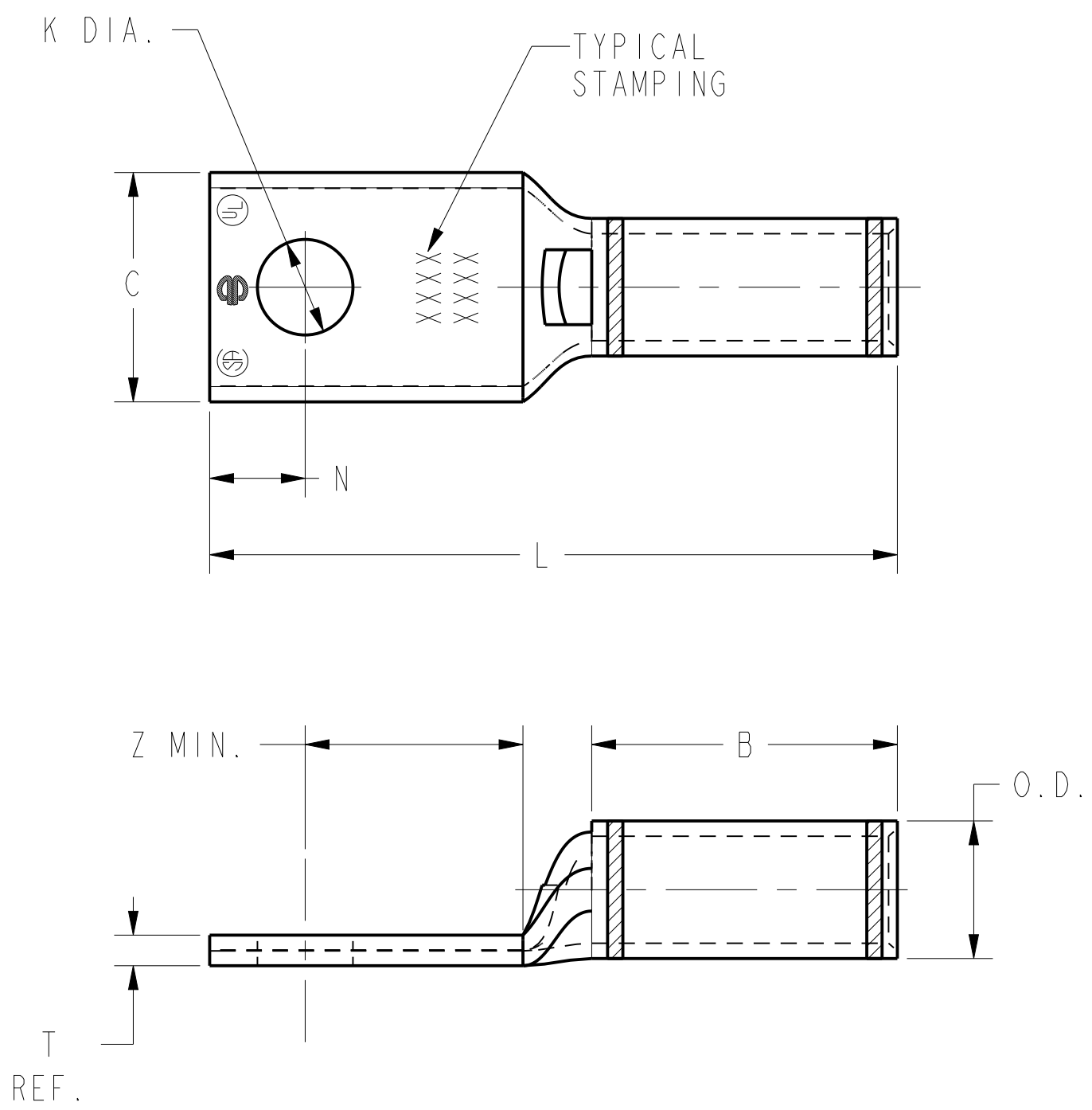
REV	DATE	DESCRIPTION	ECO	BY	CHK.
R	2021-11-30 00:00:00 EST	UPDATED AS PER WORKUP	211109014229	YR	RA

CATALOG NUMBER	STRANDED COPPER CONDUCTOR ACCOMMODATED			BOLT SIZE	METRIC BOLT SIZE	DIMENSIONS							
	CODE (AWG)	NAVY	METRIC SIZE (CLASS 2)			B	C	K DIA.	L	N	O.D.	T REF.	Z MIN.
YA3CL	#3 AWG	50	25mm ² STR [6.6]	5/16	M8	.88 [22]	.55 [14]	.33 [8]	1.88 [48]	.34 [9]	.38 [10]	.09 [2]	.36 [9]
YA3CL4		60		3/8	M10	.58 [15]	.41 [10]	2.05 [52]	.41 [10]	.38 [10]	.08 [2]	.42 [11]	
YA3CL6		50		1/2	M12	.73 [19]	.53 [13]	2.30 [58]	.53 [13]	.38 [10]	.07 [2]	.55 [14]	
YA2CL2	#2 AWG	60	-----	1/4	M6	.61 [15]	.27 [7]	1.88 [48]	.31 [8]	.42 [11]	.11 [3]	.33 [8]	
YA2CL2U				---	----	.60 [15]	---	1.77 [45]	---	.42 [11]	.11 [3]	---	
YA2CL				5/16	M8	.61 [15]	.33 [8]	1.93 [49]	.34 [9]	.42 [11]	.11 [3]	.36 [9]	

CONNECTOR SIZE	TOLERANCES					
	B	C	K DIA.	L	N	O.D.
-8C THRU -25	±.06	±.04	±.02	±.09	±.03	±.01
-26 THRU -34	±.08	±.04	±.02	±.12	±.03	±.01
-35 AND UP	±.09	±.06	±.02	±.15	±.06	±.01

TOLERANCE BLOCK

CATALOG NO.	COLOR CODE	DIE INFORMATION		MECHANICAL				HYDRAULIC						DIELESS (# CRIMPS)	WIRE STRIP LENGTH	
		DIE INDEX	TYPE	Y122CMR Y1MRTC	OUR840	MD6 MD7	MD6--R2 MD7-34R	Y500CT PATMD6 PAT600	Y34A Y34B Y34BH	Y35, Y39, Y750, PAT750	Y46 PAT46	Y45	Y48B			Y60BHU
YA3CL YA3CL4 YA3CL6	WHITE	9	WHITE DIE SET	WHITE (2)	W3CRT (1)	W3CRT (1)	W3CRT (1)	W3CRT (1)	-----	U3CRT(1)	U3CRT(1)	U3CRT(1)	---	---	MECHANICAL: MY29-3 (1) MY29-11(1)	15/16"
			NEST	----	----	----	----	----	A3CD(1) B3CD(1)	U3CD-1(1)	U3CD-1(1)	U3CD-1(1)	↑	↑	HYDRAULIC: Y644 (1) Y81KFT (1) Y4PC834 (1)	
			INDENTOR						Y34PR	Y34PR	Y34PR	Y34PR				
YA2CL2 YA2CL2U YA2CL	BROWN	10	BROWN DIE SET	BROWN(2)	X2CRT(1)	X2CRT(2) W2CRT(1) W2CVT(1)	X2CRT(2) W2CRT(1) W2CVT(1)	X2CRT(1) W2CRT(1) W2CVT(1)	-----	U2CRT(1)	U2CRT(1)	U2CRT(1)	↓	↓	MECHANICAL: MY29-3 (1) MY29-11(1) MRC840 (1)	15/16"
			NEST	----	----	----	----	----	A2CD(1) B2CD(1)	U2CD-1(1)	U2CD-1(1)	U2CD-1(1)			HYDRAULIC: Y644 (1) Y81KFT (1) Y4PC834 (1)	
			INDENTOR						Y34PR	Y34PR	Y34PR	Y34PR				



- NOTES:
- MATERIAL: COPPER TUBING.
 - FINISH: TIN PLATED.
"FOR ALTERNATIVE FINISH ADD ONE OF THE FOLLOWING SUFFIXES:
NICKEL = NK, LEAD = LD, BARE = BR, SILVER = SV"
 - CATALOG NUMBERS MAY END IN SUFFIX "BOX" WHICH DENOTES SMALLER UNIT PACKAGING.
 - INSTALLATION TOOLING AND DIES ARE CONSTANTLY BEING UPDATED. FOR THE LATEST INSTALLATION TOOLING INFORMATION REFER TO THE MASTER CATALOG ON THE BURNDY WEBSITE
 - DIMENSIONS IN BRACKETS [] ARE IN MILLIMETERS ROUNDED OFF TO THE NEAREST MILLIMETER, UNLESS OTHERWISE NOTED, AND ARE FOR REFERENCE ONLY.
 - CONNECTORS ARE UL LISTED; UNDRILLED VERSIONS ARE NOT UL LISTED.
 - CONNECTORS ARE CSA CERTIFIED. UNDRILLED VERSIONS ARE NOT CSA CERTIFIED.
 - FOR UNDRILLED VERSIONS ADD SUFFIX "-U" TO END OF CATALOG NUMBER.
FOR UNDRILLED VERSIONS, USE D MIN. = N MAX. + Z MIN.

REFERENCE: SE209240

TO ORDER BURNDY@PRODUCTS CALL		HULLUG™ COPPER	
UNITED STATES: 1-800-346-4175 (LONDONDERRY, NH)		SCALE: 1:1	
CANADA: 1-800-361-6975 (QUEBEC) 1-800-387-6487 (ALL OTHER PROVINCES)		FOR PRODUCT INFO: http://www.burndy.com	
ITEM NO: N/A CAT. NO: YA-C-L- (TABLE) DRAWN BY: C. RACCANO 6/16/77 CHECKER: CAR 6/16/77 DSN APPVL: LB 6/24/77 MFG APPVL: N/A N/A QA APPVL: C. ACKERMAN 9/30/94 MKT APPVL: T. NELSON 9/07/94			
PROD FAM: CM&R COMPRESSION	DRAWING NO: SD079848	REV: R	
PROJECT #: --	SIZE: D	SHEET 5 OF 17	
DOCUMENT TYPE: Sales			
REL LEVEL: Released			

REV: CREO 08/10/21

REV	DATE	DESCRIPTION	ECO	BY	CHK.
R	12/21/2016 00:00:00 AM	UPDATED AS PER MARKUP	211109014229	YR	RA

CATALOG NUMBER	STRANDED COPPER CONDUCTOR ACCOMMODATED			BOLT SIZE	METRIC BOLT SIZE	DIMENSIONS								
	CODE (AWG)	NAVY	METRIC SIZE (CLASS 2)			B	C	D MIN.	K DIA.	L	N	O.D.	T REF.	Z MIN.
YA2CLU	#2 AWG	60	-----	-----	-----	.88 [22]	.60 [15]	.73 [18]	-----	1.90 [48]	-----	.42 [11]	.11 [3]	-----
YA2CL4				3/8	-----				.61 [15]	-----	.40 [10]			2.06 [52]
YA2CL4BOX				-----	-----	.88 [22]	.60 [15]	.86 [22]	-----	2.02 [51]	-----	.42 [11]	.11 [3]	-----
YA2CL4U				-----	-----				.73 [19]	-----	.53 [13]			2.32 [59]
YA2CL6				1/2	M/12	-----	-----	-----	-----	-----	-----	-----	-----	-----

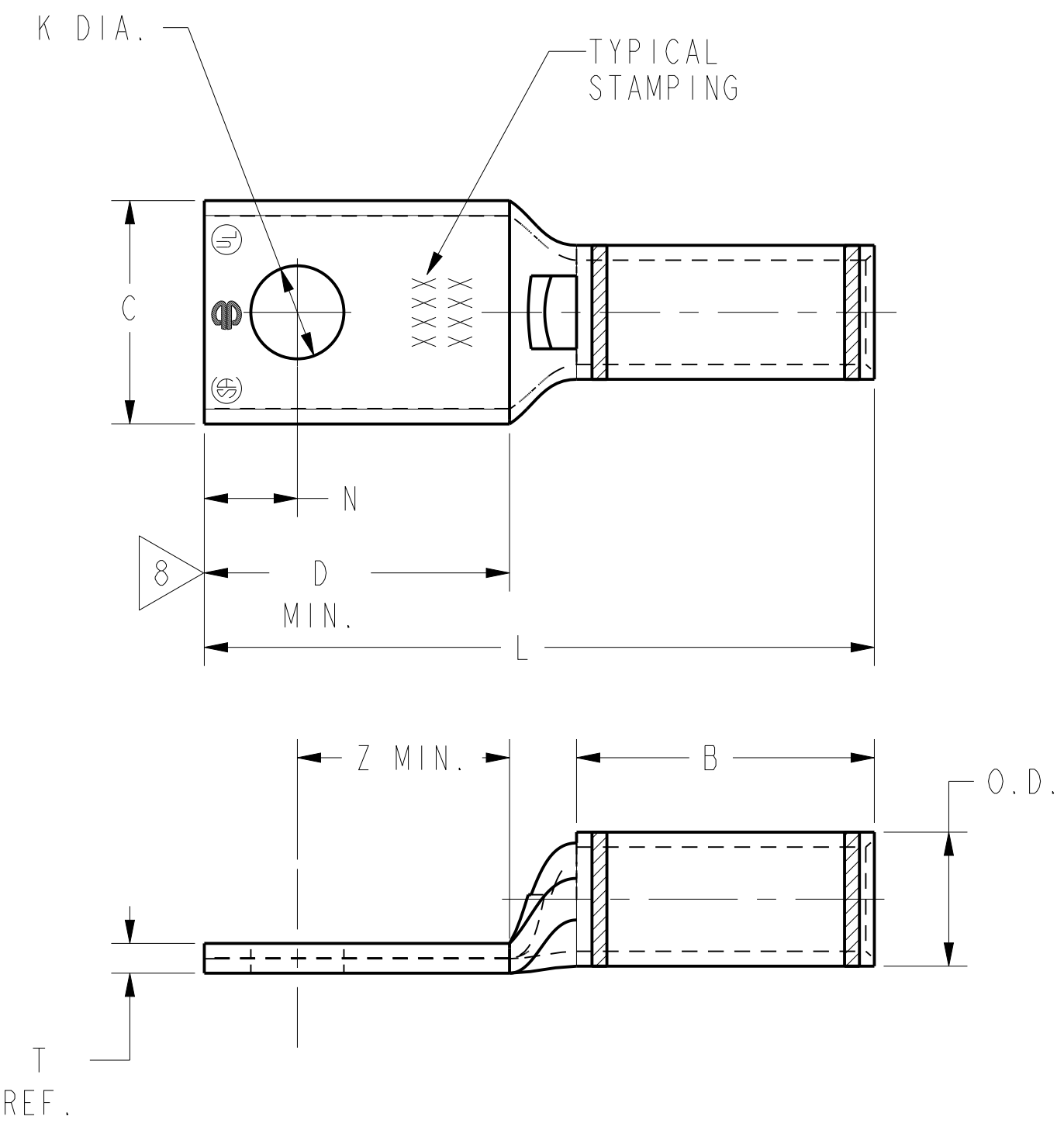
CONNECTOR SIZE	TOLERANCES					
	B	C	K DIA.	L	N	O.D.
-8C THRU -25	±.06	±.04	±.02	±.09	±.03	±.01
-26 THRU -34	±.08	±.04	±.02	±.12	±.03	±.01
-35 AND UP	±.09	±.06	±.02	±.15	±.06	±.01

TOLERANCE BLOCK

CATALOG NO.	COLOR CODE	DIE INFORMATION		MECHANICAL RATCHET					HYDRAULIC					DIELESS (# CRIMPS)	WIRE STRIP LENGTH	
		DIE INDEX	TYPE	Y122CMR Y1MRTC	OUR840	MD6 MD7	MD6--R2 MD7-34R	PATMD6 PAT600	Y34A Y34B Y34BH	Y35, Y39 Y750, PAT750	Y46 PAT46	Y45	Y48B			Y60BHU
YA2CLU YA2CL4 YA2CL4BOX YA2CL4U YA2CL6	BROWN	10	BROWN DIE SET	BROWN (2)	X2CRT(1)	X2CRT(1) W2CRT(1) W2CVT(1)	X2CRT(1) W2CRT(1) W2CVT(1)	X2CRT(1) W2CRT(1) W2CVT(1)	-----	U2CRT(1)	U2CRT(1)	U2CRT(1)	-----	-----	MECHANICAL MY29-3(1) MY29-11(1) MRC840 (1)	15/16"
	NEST		-----	-----	-----	-----	-----	A2CD(1) B2CD(1)	U2CD-1(1)	U2CD-1(1)	U2CD-1(1)	-----	-----	HYDRAULIC: Y644 (1) Y81KFT (1) Y4PC834 (1)		
	INDENTOR		-----	-----	-----	-----	-----	Y34PR	Y34PR	Y34PR	Y34PR	-----	-----			

NOTES:

- MATERIAL: COPPER TUBING.
- FINISH: TIN PLATED.
"FOR ALTERNATIVE FINISH ADD ONE OF THE FOLLOWING SUFFIXES:
NICKEL = NK, LEAD = LD, BARE = BR, SILVER = SV"
- CATALOG NUMBERS MAY END IN SUFFIX "BOX" WHICH DENOTES SMALLER UNIT PACKAGING.
- INSTALLATION TOOLING AND DIES ARE CONSTANTLY BEING UPDATED. FOR THE LATEST INSTALLATION TOOLING INFORMATION REFER TO THE MASTER CATALOG ON THE BURNDY WEBSITE
- DIMENSIONS IN BRACKETS [] ARE IN MILLIMETERS ROUNDED OFF TO THE NEAREST MILLIMETER, UNLESS OTHERWISE NOTED, AND ARE FOR REFERENCE ONLY.
- CONNECTORS ARE UL LISTED; UNDRILLED VERSIONS ARE NOT UL LISTED.
- CONNECTORS ARE CSA CERTIFIED. UNDRILLED VERSIONS ARE NOT CSA CERTIFIED.
- FOR UNDRILLED VERSIONS ADD SUFFIX "-U" TO END OF CATALOG NUMBER.
FOR UNDRILLED VERSIONS, USE D MIN. = N MAX. + Z MIN.



REFERENCE: SE209240

TO ORDER BURNDY@PRODUCTS CALL		COPPER HYLUG™	
UNITED STATES: 1-800-346-4175 (LONDONDERRY, NH)		ITEM NO: N/A	CAT. NO: YA-L, YA-L-TC-
CANADA: 1-800-361-6975 (QUEBEC) 1-800-387-6487 (ALL OTHER PROVINCES)		DRAWN BY: C. RACANO 6/16/77	CHECKER: CAR 6/16/77
FOR PRODUCT INFO: http://www.burndy.com		DSN APPVL: LB 6/24/77	MFG APPVL: N/A N/A
		QA APPVL: C. ACKERMAN 9/30/94	MKT APPVL: T. NELSON 9/7/94
		PROD FAM: CM&R COMPRESSION	DRAWING NO: SD079848
		PROJECT #: --	SCALE: 1:1
		DOCUMENT TYPE: Sales	REV: R
		REL LEVEL: Released	SHEET 6 OF 17

REV: CREO_08/10/21

REV	DATE	DESCRIPTION	ECO	BY	C.H.K.
R	2021-11-30 00:00:00 EST	UPDATED AS PER MARKUP	211109014229	YR	RA

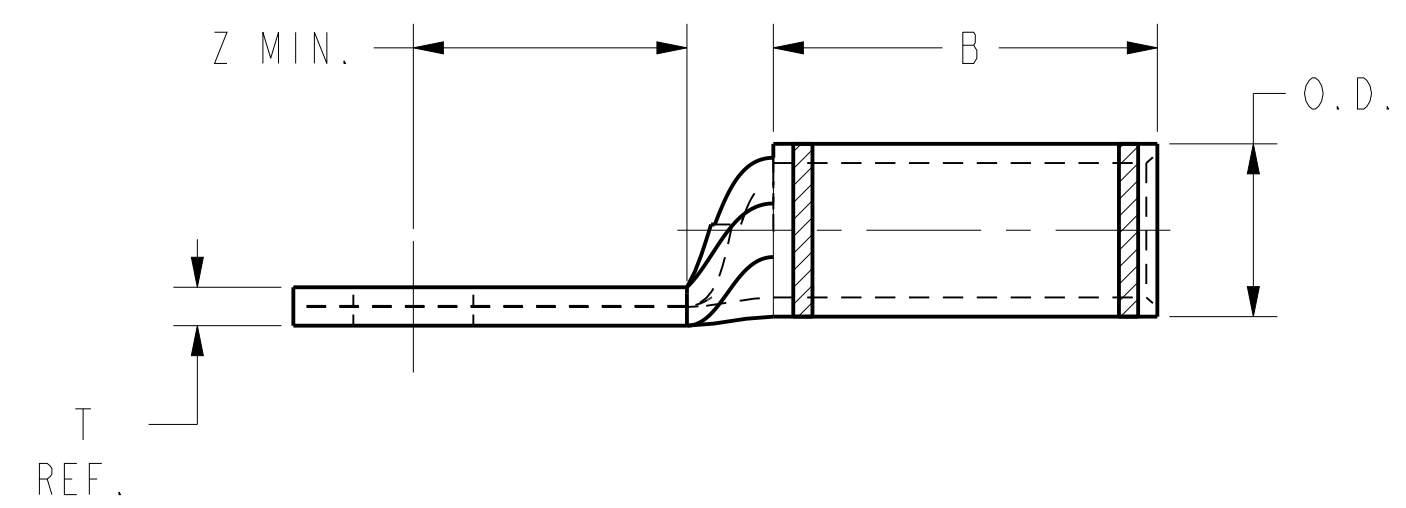
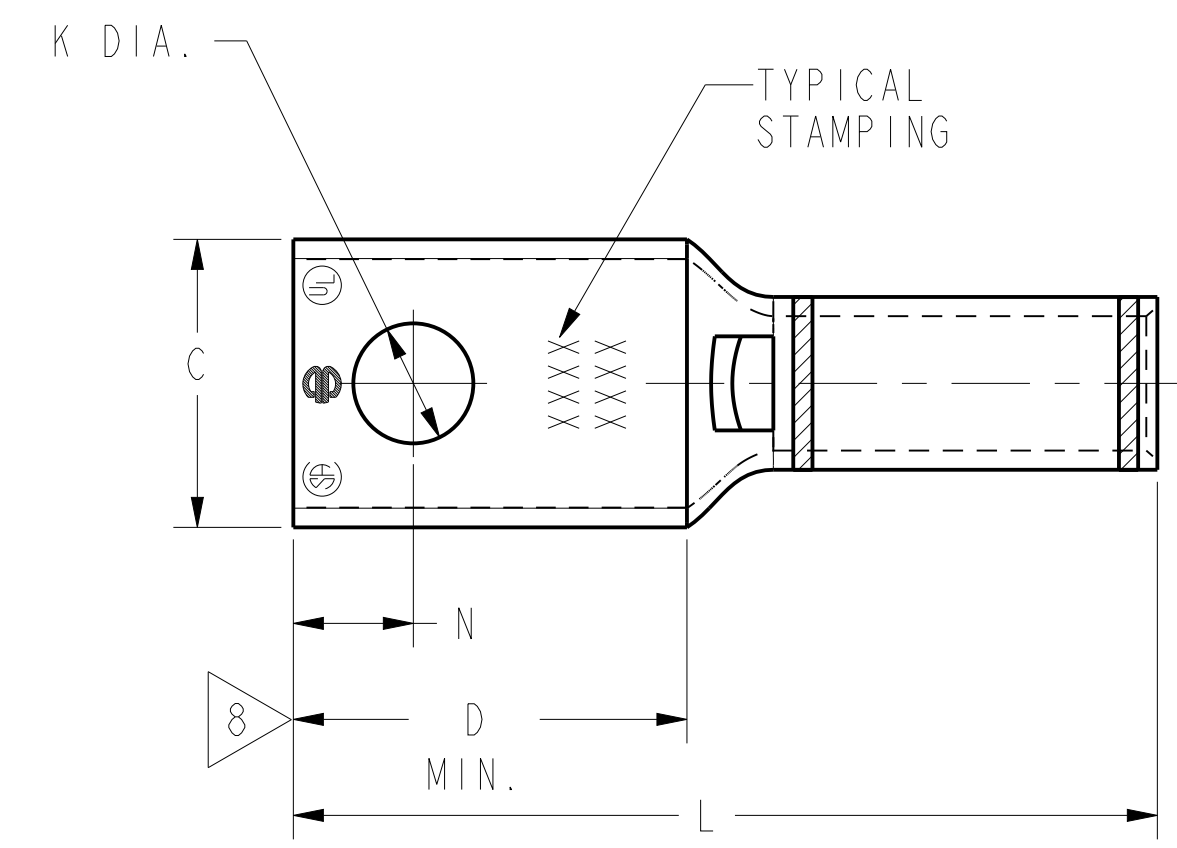
CATALOG NUMBER	STRANDED COPPER CONDUCTOR ACCOMMODATED			BOLT SIZE	METRIC BOLT SIZE	DIMENSIONS							
	CODE (AWG)	NAVY	METRIC SIZE (CLASS 2)			B	C	K DIA.	L	N	O.D.	T REF.	Z MIN.
YAICL2	#1 AWG	75	-----	1/4	M6	.88 [22]	.68 [17]	.27 [7]	1.81 [46]	.25 [6]	.46 [12]	.10 [3]	.33 [8]
YAICL				5/16	----	.68 [17]	.33 [8]	1.94 [49]	.34 [9]	.10 [3]	.36 [9]		
YAICL4				3/8	----	.68 [17]	.40 [10]	2.06 [52]	.41 [10]	.10 [3]	.42 [11]		
YAICL6				1/2	M12	.88 [22]	.73 [19]	.53 [13]	2.37 [60]	.53 [13]	.46 [12]	.09 [2]	.55 [14]

CONNECTOR SIZE	TOLERANCES					
	B	C	K DIA.	L	N	O.D.
-8C THRU -25	±.06	±.04	±.02	±.09	±.03	±.01
-26 THRU -34	±.08	±.04	±.02	±.12	±.03	±.01
-35 AND UP	±.09	±.06	±.02	±.15	±.06	±.01

TOLERANCE BLOCK

INSTALLATION TOOLING (# CRIMPS)

CATALOG NO.	COLOR CODE	DIE INFORMATION		MECHANICAL RATCHET				HYDRAULIC						DIELESS (# CRIMPS)	WIRE STRIP LENGTH	
		DIE INDEX	TYPE	YIMRTC	OUR840	MD6 MD7	MD6--R2 MD7-34R	Y500CT PATMD6 PAT600	Y34A Y34B Y34BH	Y35, Y39 Y750, PAT750	Y46 PAT46	Y45	Y48B			Y60BHU
YAICL2 YAICL YAICL4 YAICL6	GREEN	11 375	GREEN DIE SET	GREEN (2)	XICRT-1(1)	XICRT-1(1) WICRT-1(1) WICVT(1)	XICRT-1(1) WICRT-1(1) WICVT(1)	XICRT-1(1) WICRT-1(1) WICVT(1)	-----	UICRT-1 (1) U4CABT (1)	UICRT-1 (1) U4CABT (1)	UICRT-1 (1) U4CABT (1)	-----	-----	MECHANICAL MY29-3(1) MY29-11(1) MRC840 (1) HYDRAULIC: Y644 (1) Y81KFT (1) Y4PC834 (1)	15/16"
			NEST						AICD(1) BICD(1)	UICD-1(1)	UICD-1(1)	UICD-1(1)				
			INDENTOR						Y34PR	Y34PR	Y34PR	Y34PR				



NOTES:

- MATERIAL: COPPER TUBING.
- FINISH: TIN PLATED.
"FOR ALTERNATIVE FINISH ADD ONE OF THE FOLLOWING SUFFIXES:
NICKEL = NK, LEAD = LD, BARE = BR, SILVER = SV"
- CATALOG NUMBERS MAY END IN SUFFIX "BOX" WHICH DENOTES SMALLER UNIT PACKAGING.
- INSTALLATION TOOLING AND DIES ARE CONSTANTLY BEING UPDATED. FOR THE LATEST INSTALLATION TOOLING INFORMATION REFER TO THE MASTER CATALOG ON THE BURNDY WEBSITE
- DIMENSIONS IN BRACKETS [] ARE IN MILLIMETERS ROUNDED OFF TO THE NEAREST MILLIMETER, UNLESS OTHERWISE NOTED, AND ARE FOR REFERENCE ONLY.
- CONNECTORS ARE UL LISTED; UNDRILLED VERSIONS ARE NOT UL LISTED.
- CONNECTORS ARE CSA CERTIFIED; UNDRILLED VERSIONS ARE NOT CSA CERTIFIED.
- FOR UNDRILLED VERSIONS ADD SUFFIX "-U" TO END OF CATALOG NUMBER.
FOR UNDRILLED VERSIONS, USE D MIN. = N MAX. + Z MIN.

REFERENCE: SE209240

TO ORDER BURNDY@PRODUCTS CALL		COPPER HYLUG™	
UNITED STATES: 1-800-346-4175 (LONDONDERRY, NH)		ITEM NO: N/A	CAT. NO: YA-L, YA-L-TC-, YAV-TC-
CANADA: 1-800-361-6975 (QUEBEC) 1-800-387-6487 (ALL OTHER PROVINCES)		DRAWN BY: J.MICHAUD 8/9/94	CHECKER: D.FILLION 10/3/94
FOR PRODUCT INFO: http://www.burndy.com		DSN APPVL: C.PALAGI 8/10/94	MFG APPVL: N/A N/A
		QA APPVL: C.ACKERMAN 9/30/94	MKT APPVL: T.NELSON 9/7/94
		PROD FAM: CM&R COMPRESSION	DRAWING NO: SD079848
		PROJECT #: FPN10004715	SIZE: D
		DOCUMENT TYPE: Sales	REL LEVEL: Released
		SCALE: 1:1	
		SHEET 7 OF 17	

REV: CREO 08/10/21

REV	DATE	DESCRIPTION	ECO	BY	CHK.
R	2021-11-30 00:00:00 EST	UPDATED AS PER WORKUP	211109014229	YR	RA

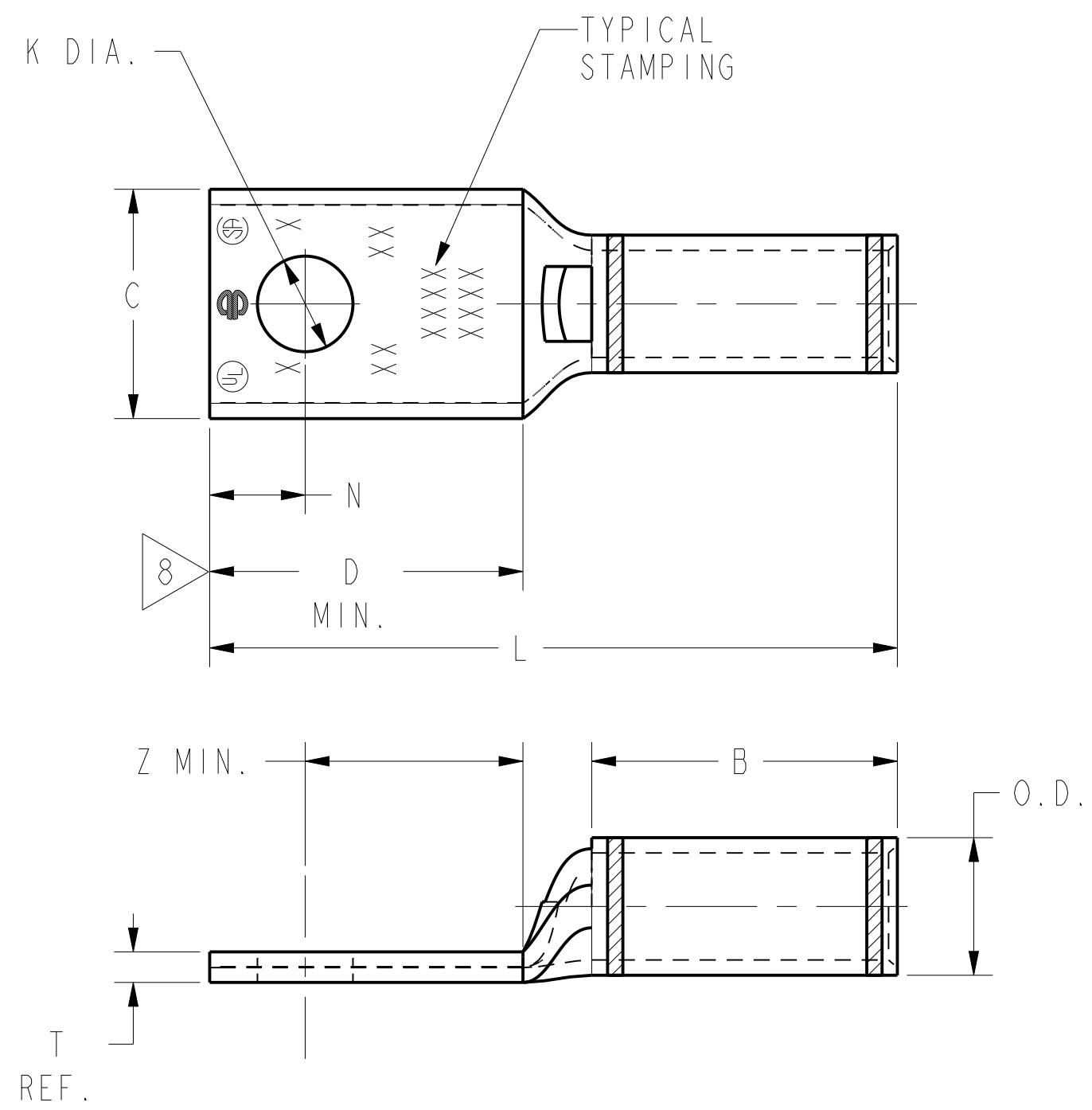
CATALOG NUMBER	STRANDED COPPER CONDUCTOR ACCOMMODATED			BOLT SIZE	METRIC BOLT SIZE	DIMENSIONS							
	CODE (AWG)	NAVY	METRIC SIZE (CLASS 2)			B	C	K DIA.	L	N	O.D.	T REF.	Z MIN.
YA25L1BOX	#1/0 AWG	100	-----	8-10	M5	.88 [22]	.75 [19]	.21 [5]	1.84 [47]	.25 [6]	.51 [13]	.12 [13]	.33 [8]
YA25L2				1/4	M6	.27 [7]	1.84 [47]	.25 [6]	.51 [13]	.12 [13]	.33 [8]		
YA25L				5/16	M8	.33 [8]	1.96 [50]	.34 [9]	.51 [13]	.12 [13]	.36 [9]		
YA25L4				3/8	M10	.41 [10]	2.09 [53]	.41 [10]	.51 [13]	.12 [13]	.42 [11]		
YA25L6 YA25L6UNPL				1/2	M12	.53 [13]	2.34 [59]	.53 [13]	.51 [13]	.12 [13]	.55 [14]		

CONNECTOR SIZE	TOLERANCES					
	B	C	K DIA.	L	N	O.D.
-8C THRU -25	±.06	±.04	±.02	±.09	±.03	±.01
-26 THRU -34	±.08	±.04	±.02	±.12	±.03	±.01
-35 AND UP	±.09	±.06	±.02	±.15	±.06	±.01

TOLERANCE BLOCK

INSTALLATION TOOLING (# CRIMPS)																
CATALOG NO.	COLOR CODE	DIE INFORMATION		MECHANICAL				HYDRAULIC							DIELESS (# CRIMPS)	WIRE STRIP LENGTH
		DIE INDEX	TYPE	YIMRTC	OUR840	MD6 MD7	MD6--R2 MD7-34R	Y500CT PATMD6 PAT600	Y34A Y34B Y34BH	Y35, Y39, Y750, BAT750 PAT750	Y46 PAT46	Y45	Y48B	Y60BHU		
YA25L1BOX	PINK	12 348	PINK DIE SET	-----	X25CRT(2)	X25RT(2) W25RT(2) W25VT(2)	X25RT(2) W25RT(2) W25VT(2)	X25RT(2) W25RT(2) W25VT(2)	A25R(1)	U25RT(1) U2CABT(1)	U25RT(1) U2CABT(1)	U25RT(1) U2CABT(1)			MECHANICAL MY29-3(1) MY29-11(1) MRC840 (2)	15/16"
YA25L2			NEST						A25D(1) B25D(1)	U25D-1(1)	U25D-1(1)	U25D-1(1)	-----	-----	HYDRAULIC: Y644 (1) Y81KFT (1) Y4PC834 (1)	
YA25L																
YA25L4																
YA25L6 YA25L6UNPL			INDENTOR							Y34PR	Y34PR	Y34PR	Y34PR			

- NOTES:
- MATERIAL: COPPER TUBING.
 - FINISH: TIN PLATED.
"FOR ALTERNATIVE FINISH ADD ONE OF THE FOLLOWING SUFFIXES:
NICKEL = NK, LEAD = LD, BARE = BR, SILVER = SV"
 - CATALOG NUMBERS MAY END IN SUFFIX "BOX" WHICH DENOTES SMALLER UNIT PACKAGING.
 - INSTALLATION TOOLING AND DIES ARE CONSTANTLY BEING UPDATED. FOR THE LATEST INSTALLATION TOOLING INFORMATION REFER TO THE MASTER CATALOG ON THE BURNDY WEBSITE.
 - DIMENSIONS IN BRACKETS [] ARE IN MILLIMETERS ROUNDED OFF TO THE NEAREST MILLIMETER, UNLESS OTHERWISE NOTED, AND ARE FOR REFERENCE ONLY.
 - CONNECTORS ARE UL LISTED; UNDRILLED VERSIONS ARE NOT UL LISTED.
 - CONNECTORS ARE CSA CERTIFIED. UNDRILLED VERSIONS ARE NOT CSA CERTIFIED.
 - FOR UNDRILLED VERSIONS ADD SUFFIX "-U" TO END OF CATALOG NUMBER.
FOR UNDRILLED VERSIONS, USE D MIN. = N MAX. + Z MIN.
 - ADD SUFFIX "UNPL" FOR UNPLATED CONNECTORS WITH NO BARREL MARKINGS.



REFERENCE: SE209240

TO ORDER BURNDY@PRODUCTS CALL		COPPER HYLUG™	
UNITED STATES: 1-800-346-4175 (LONDONDERRY, NH)		ITEM NO: N/A	SCALE: 1:1
CANADA: 1-800-361-6975 (QUEBEC) 1-800-387-6487 (ALL OTHER PROVINCES)		CAT. NO: YA-L, YA-L-TC-	
FOR PRODUCT INFO: http://www.burndy.com		DRAWN BY: R.NARESH 4/06/05	
		CHECKER: K.BABU 4/06/05	PROD. FAM: CM&R COMPRESSION
		DSN APPVL: -- --	DRAWING NO: SD079848
		MFG APPVL: -- --	REV: R
		QA APPVL: -- --	PROJECT #: --
		MKT APPVL: -- --	DOCUMENT TYPE: Sales
			REL LEVEL: Released
			SHEET 8 OF 17

REV: CREO 08/10/21

REV	DATE	DESCRIPTION	ECO	BY	C.H.K.
R	2021-11-30 00:00:00 EST	UPDATED AS PER WORKUP	211109014229	YR	RA

CATALOG NUMBER	STRANDED COPPER CONDUCTOR ACCOMMODATED			BOLT SIZE	METRIC BOLT SIZE	DIMENSIONS							
	CODE (AWG)	NAVY	METRIC SIZE (CLASS 2)			B	C	K DIA.	L	N	O.D.	T REF.	Z MIN.
YA26L2	2/0 AWG	125	70mm ² STR [11]	1/4	M6	.94 [24]	.83 [21]	.27 [21]	1.94 [49]	.25 [6]	.56 [14]	.12 [3]	.33 [8]
YA26L3				5/16	----	.83 [21]	.33 [8]	2.06 [52]	.34 [9]	.12 [3]	.36 [9]		
YA26L				3/8	----	.83 [21]	.40 [10]	2.19 [56]	.41 [10]	.12 [3]	.42 [11]		
YA26L6				1/2	M12	.83 [21]	.53 [13]	2.44 [62]	.53 [13]	.12 [3]	.55 [14]		
YA26L7				5/8	M16	.90 [23]	.69 [18]	2.69 [68]	.66 [17]	.11 [3]	.67 [17]		
YA26L60				3/4	----	1.02 [26]	.81 [21]	2.96 [75]	.75 [19]	.10 [3]	.77 [20]		

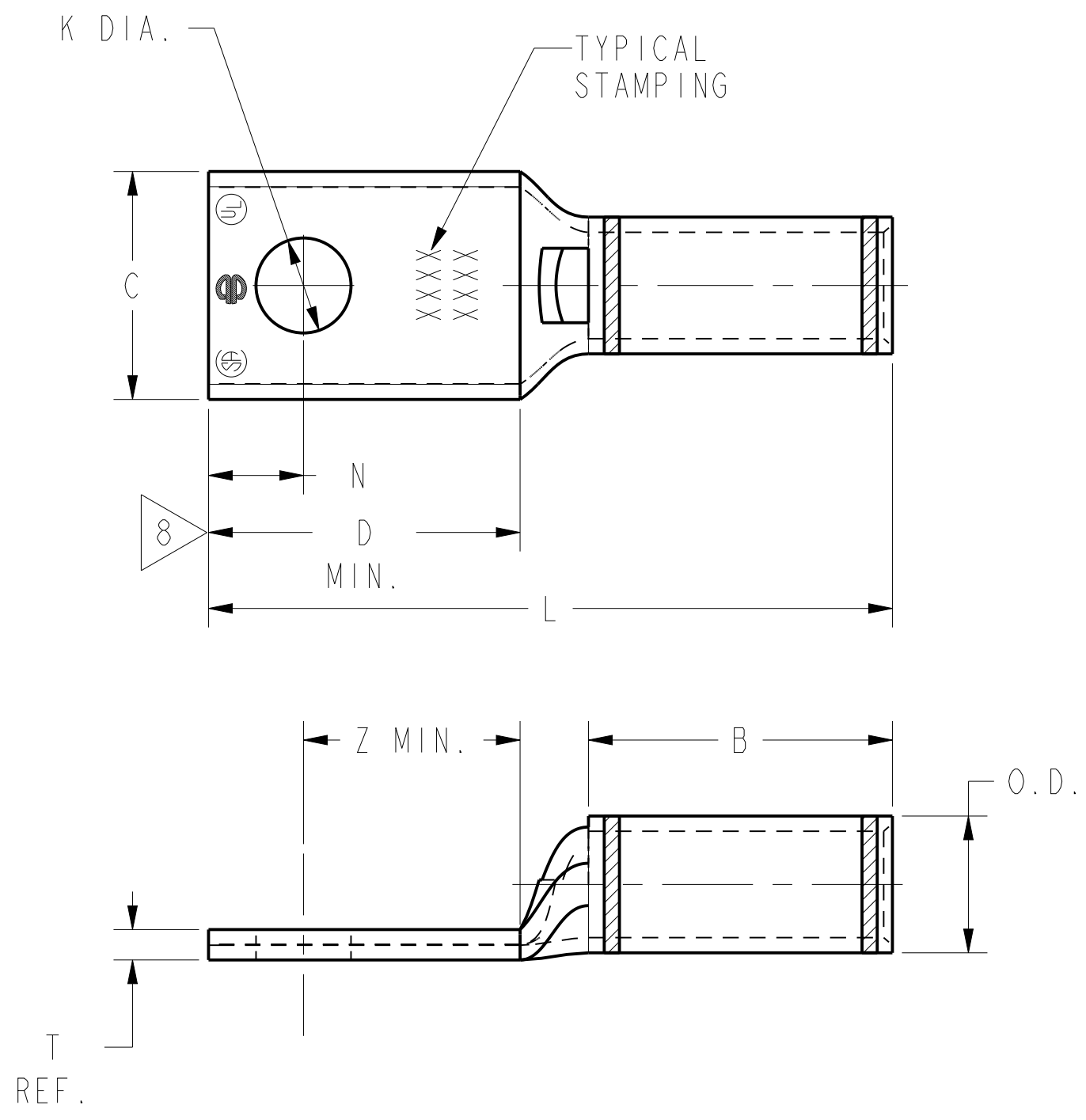
CONNECTOR SIZE	TOLERANCES					
	B	C	K DIA.	L	N	O.D.
-8C THRU -25	±.06	±.04	±.02	±.09	±.03	±.01
-26 THRU -34	±.08	±.04	±.02	±.12	±.03	±.01
-35 AND UP	±.09	±.06	±.02	±.15	±.06	±.01

TOLERANCE BLOCK

CATALOG NO.	COLOR CODE	DIE INFORMATION		MECHANICAL						HYDRAULIC				DIELESS (# CRIMPS)	WIRE STRIP LENGTH		
		DIE INDEX	TYPE	YIMRTC	OUR840	MD6 MD7	MD6--R2 MD7-34R	Y500CT PATMD6 PAT600	Y34A Y34B Y34BH	Y35, Y39 Y750, PAT750	Y46 PAT46	Y45	Y48B			Y60BHU	
YA26L2 YA26L3 YA26L YA26L6 YA26L7 YA26L60	BLACK	13	BLACK DIE SET	----	X26RT(2)	X26RT(2) W26RT(2) W26VT(2)	X26RT(2) W26RT(2) W26VT(2)	X26RT(2) W26RT(2) W26VT(2)	-----	U26RT(1)	U26RT(1)	U26RT(1)			MECHANICAL MY29-3(1) MY29-11(1) MRC840 (2)	1"	
	NEST									A26D(1) B26D(1)	U26D-1(1)	U26D-1(1)	U26D-1(1)				HYDRAULIC: Y644 (1) Y81KFT (1) Y4PC834 (1)
	INDENTOR									Y34PR	Y34PR	Y34PR	Y34PR				

INSTALLATION TOOLING (# CRIMPS)

- NOTES:
- MATERIAL: COPPER TUBING.
 - FINISH: TIN PLATED.
"FOR ALTERNATIVE FINISH ADD ONE OF THE FOLLOWING SUFFIXES:
NICKEL = NK, LEAD = LD, BARE = BR, SILVER = SV"
 - CATALOG NUMBERS MAY END IN SUFFIX "BOX" WHICH DENOTES SMALLER UNIT PACKAGING.
 - INSTALLATION TOOLING AND DIES ARE CONSTANTLY BEING UPDATED. FOR THE LATEST INSTALLATION TOOLING INFORMATION REFER TO THE MASTER CATALOG ON THE BURNDY WEBSITE.
 - DIMENSIONS IN BRACKETS [] ARE IN MILLIMETERS ROUNDED OFF TO THE NEAREST MILLIMETER, UNLESS OTHERWISE NOTED, AND ARE FOR REFERENCE ONLY.
 - CONNECTORS ARE UL LISTED; UNDRILLED VERSIONS ARE NOT UL LISTED.
 - CONNECTORS ARE CSA CERTIFIED. UNDRILLED VERSIONS ARE NOT CSA CERTIFIED.
 - FOR UNDRILLED VERSIONS ADD SUFFIX "-U" TO END OF CATALOG NUMBER.
FOR UNDRILLED VERSIONS, USE D MIN. = N MAX. + Z MIN.
 - THESE PARTS CAN BE ORDERED WITH NO INK MARKING ON THE BARREL. THE CATALOG NUMBERS FOR THESE PARTS ARE YA26L2GI, YA26L3GI, YA26LGI AND YA26L6GI.



REFERENCE: SE209240

TO ORDER BURNDY@PRODUCTS CALL		COPPER HYLUG™	
UNITED STATES: 1-800-346-4175 (LONDONDERRY, NH)		ITEM NO: N/A	CAT. NO: YA26-L (SEE TABLE)
CANADA: 1-800-361-6975 (QUEBEC) 1-800-387-6487 (ALL OTHER PROVINCES)		DRAWN BY: J MICHAUD 8/9/94	CHECKER: D FILLION 10/9/94
FOR PRODUCT INFO: http://www.burndy.com		DSN APPVL: C PALAGI 8/19/94	MFG APPVL: N/A N/A
		QA APPVL: C ACKERMAN 9/30/94	MKT APPVL: T NELSON 9/7/94
		SCALE: 1:1	
		PROD FAM: CM&R COMPRESSION	DRAWING NO: SD079848
		PROJECT #: --	SIZE: D
		DOCUMENT TYPE: Sales	SHEET 9 OF 17
		REL LEVEL: Released	REV: R

REV: CREO_08/10/21

REV	DATE	DESCRIPTION	ECO	BY	C.H.K.
R	12/21/2016 00:00:00 AM	UPDATED AS PER WORKUP	211109014229	YR	RA

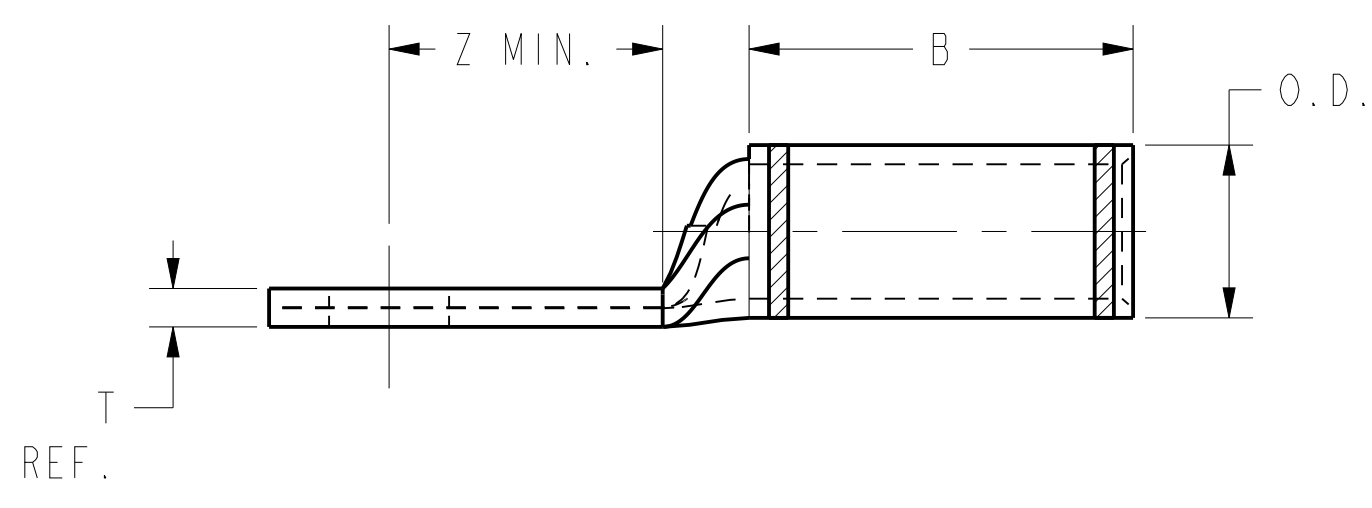
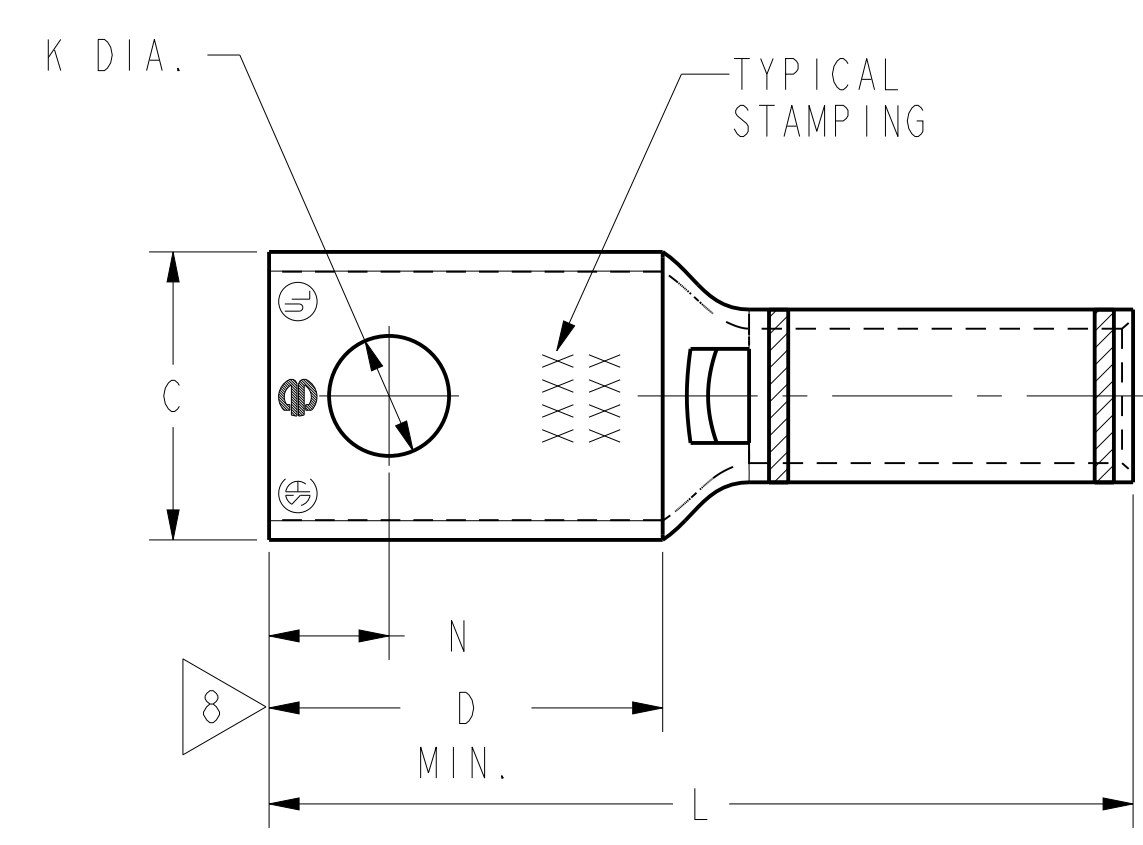
CATALOG NUMBER	STRANDED COPPER CONDUCTOR ACCOMMODATED			BOLT SIZE	METRIC BOLT SIZE	DIMENSIONS							
	CODE (AWG)	NAVY	METRIC SIZE (CLASS 2)			B	C	K DIA.	L	N	O.D.	T REF.	Z MIN.
YA27L2	3/0 AWG	150	----	1/4	M6	1.00 [25]	.91 [23]	.27 [7]	2.04 [52]	.25 [6]	.62 [16]	.13 [3]	.33 [8]
YA27L3				5/16	----	.33 [8]	2.16 [55]	.34 [9]	.62 [16]	.13 [3]	.36 [9]		
YA27L4				3/8	----	.40 [10]	2.29 [58]	.41 [10]	.62 [16]	.13 [3]	.42 [11]		
YA27L				1/2	M12	1.00 [25]	.91 [23]	.53 [13]	2.54 [65]	.53 [13]	.62 [16]	.13 [3]	.55 [14]
YA28L2	4/0 AWG	200	----	1/4	M6	.88 [22]	1.02 [26]	.27 [7]	1.96 [50]	.25 [6]	.69 [18]	.14 [4]	.33 [8]
YA28L3				5/16	----	.33 [8]	2.08 [53]	.34 [9]	.69 [18]	.14 [4]	.36 [9]		
YA28L4				3/8	----	.40 [10]	2.21 [56]	.41 [10]	.69 [18]	.14 [4]	.42 [11]		
YA28L				1/2	M12	.53 [13]	2.46 [62]	.53 [13]	.69 [18]	.14 [4]	.55 [14]		
YA28LUNPL				1/2	M12	.53 [13]	2.46 [62]	.53 [13]	.69 [18]	.14 [4]	.55 [14]		
YA28L17				5/8	M16	.69 [18]	2.71 [69]	.66 [17]	.69 [18]	.13 [3]	.67 [17]		
YA28L56				3/4	----	1.05 [27]	.81 [21]	2.90 [74]	.75 [19]	.69 [18]	.13 [3]	.77 [20]	

CONNECTOR SIZE	TOLERANCES					
	B	C	K DIA.	L	N	O.D.
-8C THRU -25	±.06	±.04	±.02	±.09	±.03	±.01
-26 THRU -34	±.08	±.04	±.02	±.12	±.03	±.01
-35 AND UP	±.09	±.06	±.02	±.15	±.06	±.01

TOLERANCE BLOCK

CATALOG NO.	COLOR CODE	DIE INFORMATION		MECHANICAL				HYDRAULIC							DIELESS (# CRIMPS)	WIRE STRIP LENGTH
		DIE INDEX	TYPE	YIMRTC	OUR840	MD6 MD7	MD6--R2 MD7-34R	Y500CT PATMD6 PAT600	Y34A Y34B Y34BH	Y35, Y39 Y750, PAT750	Y46 PAT46	Y45	Y48B	Y60BHU		
YA27L2 YA27L3 YA27L4 YA27L	ORANGE	14	ORANGE DIE SET NEST INDENTOR	----	X27RT(3)	X27RT(3) W27RT(2) W27VT(2)	X27RT(3) W27RT(2) W27VT(2)	X27RT(3) W27RT(2) W27VT(2)	-----	U27RT(1)	U27RT(1)	U27RT(1)	-----	-----	MECHANICAL MY29-3(1) MY29-11(1) MRC840 (2)	1-1/16"
YA28L2 YA28L3 YA28L4 YA28L YA28L17 YA28L56 YA28LUNPL	PURPLE	15	PURPLE DIE SET NEST INDENTOR	----	X28RT(3)	X28RT(3) W28RT(2) W28VT(2)	X28RT(3) W28RT(2) W28VT(2)	X28RT(3) W87RT(2) W28VT(2)	-----	U28RT(1)	U28RT(1)	U28RT(1)	C28R(1)	L28RT(1)	HYDRAULIC: Y644 (1) Y81KFT (2) Y4PC834 (2)	1-1/8"

- NOTES:**
- MATERIAL: COPPER TUBING.
 - FINISH: TIN PLATED.
"FOR ALTERNATIVE FINISH ADD ONE OF THE FOLLOWING SUFFIXES:
NICKEL = NK, LEAD = LD, BARE = BR, SILVER = SV"
 - CATALOG NUMBERS MAY END IN SUFFIX "BOX" WHICH DENOTES SMALLER UNIT PACKAGING.
 - INSTALLATION TOOLING AND DIES ARE CONSTANTLY BEING UPDATED. FOR THE LATEST INSTALLATION TOOLING INFORMATION REFER TO THE MASTER CATALOG ON THE BURNDY WEBSITE.
 - DIMENSIONS IN BRACKETS [] ARE IN MILLIMETERS ROUNDED OFF TO THE NEAREST MILLIMETER, UNLESS OTHERWISE NOTED, AND ARE FOR REFERENCE ONLY.
 - CONNECTORS ARE UL LISTED; UNDRILLED VERSIONS ARE NOT UL LISTED.
 - CONNECTORS ARE CSA CERTIFIED. UNDRILLED VERSIONS ARE NOT CSA CERTIFIED.
 - FOR UNDRILLED VERSIONS ADD SUFFIX "-U" TO END OF CATALOG NUMBER.
FOR UNDRILLED VERSIONS, USE D MIN. = N MAX. + Z MIN.
 - THESE PARTS CAN BE ORDERED WITH NO INK MARKING ON THE BARREL. THE CATALOG NUMBERS FOR THESE PARTS ARE YA27L2G1, YA27L3G1, YA27L4G1, YA27LG1, YA28L4G1, YA28LG1 AND YA28L3G1.
 - ADD SUFFIX "UNPL" FOR UNPLATED CONNECTORS WITH NO BARREL MARKINGS.



REFERENCE: SE209240

TO ORDER BURNDY@PRODUCTS CALL		COPPER HYLUG™	
UNITED STATES: 1-800-346-4175 (LONDONDERRY, NH)		ITEM NO: N/A	CAT. NO: YA27-L, YA28-L (SEE TABLE)
CANADA: 1-800-361-6975 (QUEBEC) 1-800-387-6487 (ALL OTHER PROVINCES)		DRAWN BY: J MICHAUD 08/08/1994	CHECKER: D FILLION 10/03/1994
FOR PRODUCT INFO: http://www.burndy.com		DSN APPVL: C PALAGI 08/19/1994	MFG APPVL: N/A N/A
		GA APPVL: C ACKERMAN 08/30/1994	MKT APPVL: T NELSON 09/07/1994
		PROD FAM: CM&R COMPRESSION	DRAWING NO: SD079848
		PROJECT #: --	SIZE: D
		DOCUMENT TYPE: Sales	REL LEVEL: Released
		SCALE: 1:1	
		SHEET 10 OF 17	

REV: CREO_08/10/21

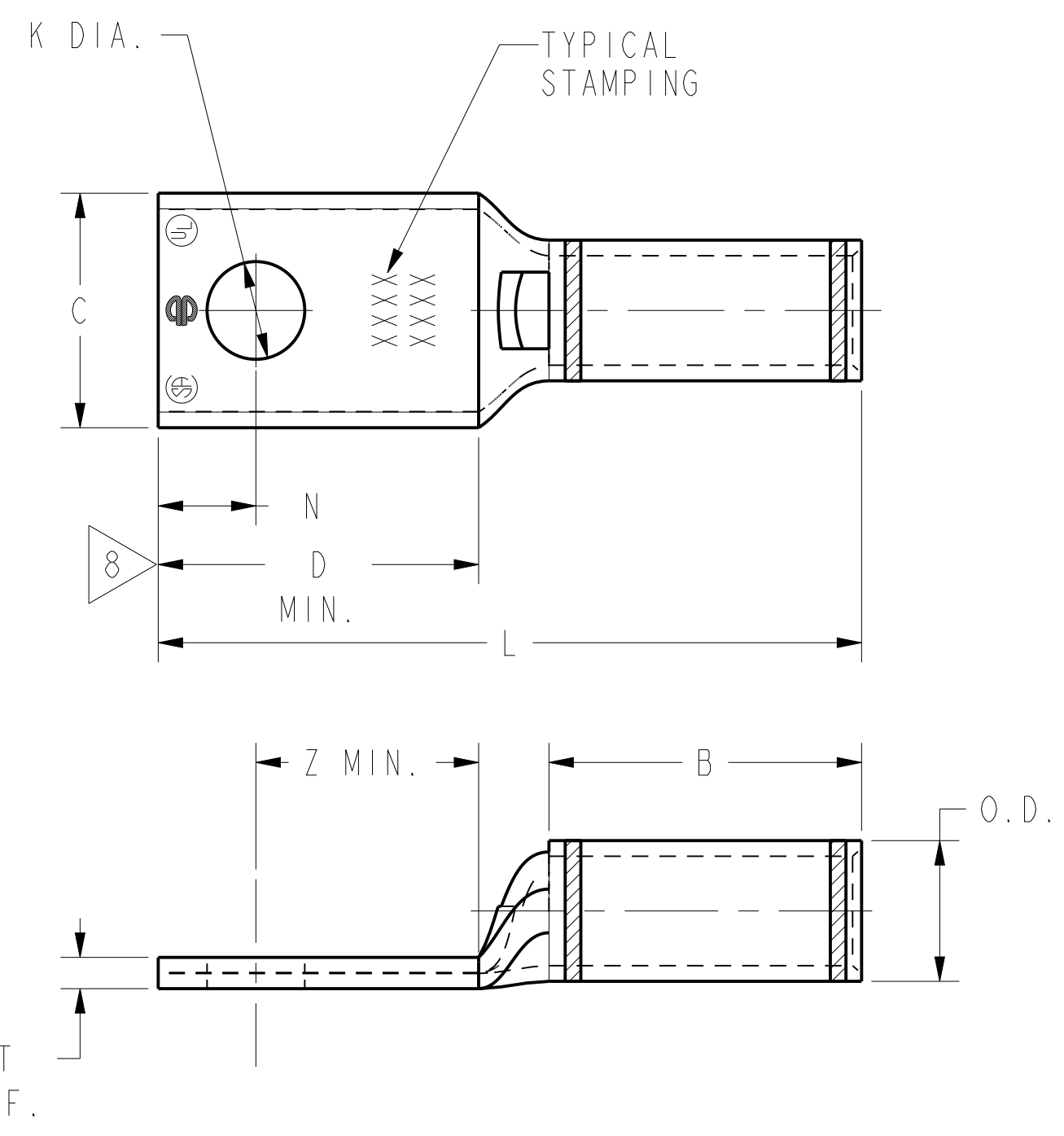
REV	DATE	DESCRIPTION	ECO	BY	CHK.
R	2021-11-30 00:00:00 EST	UPDATED AS PER WORKUP	211109014229	YR	RA

CATALOG NUMBER	STRANDED COPPER CONDUCTOR ACCOMMODATED			BOLT SIZE	METRIC BOLT SIZE	DIMENSIONS							
	CODE (AWG)	NAVY	METRIC SIZE (CLASS 2)			B	C	K DIA.	L	N	O.D.	T REF.	Z MIN.
YA29L2	250 kcmil	250	120mm ² STR [14.5]	1/4	M6	1.06 [27]	1.11 [28]	.27 [7]	2.17 [55]	.25 [6]	.75 [19]	.16 [4]	.33 [8]
YA29L7				5/16	----	.33 [8]	2.30 [58]	.34 [9]	.75 [19]	.16 [4]	.36 [9]		
YA29L4				3/8	----	.40 [10]	2.42 [61]	.41 [10]	.75 [19]	.16 [4]	.42 [11]		
YA29L				1/2	M12	.53 [13]	2.67 [68]	.53 [13]	.75 [19]	.16 [4]	.55 [14]		
YA29LTC78				7/8	----	1.06 [27]	1.11 [28]	.94 [24]	3.36 [85]	.88 [22]	.75 [19]	.14 [4]	.89 [23]
YA30L1	300 kcmil	300	150mm ² STR [16.2]	5/16	----	1.03 [26]	1.20 [30]	.33 [8]	2.31 [59]	.34 [9]	.81 [21]	.16 [4]	.36 [9]
YA30L24				3/8	----	.40 [10]	2.44 [62]	.41 [10]	.81 [21]	.16 [4]	.42 [11]		
YA30L				1/2	M12	.53 [13]	2.69 [68]	.53 [13]	.81 [21]	.16 [4]	.55 [14]		
YA30LUNPL				1/2	M12	.53 [13]	2.69 [68]	.53 [13]	.81 [21]	.16 [4]	.55 [14]		
YA30L7				5/8	M16	.69 [18]	2.94 [75]	.66 [17]	.81 [21]	.16 [4]	.67 [17]		
YA30L27				7/8	----	1.20 [30]	3.37 [86]	.88 [22]	.81 [21]	.16 [4]	.89 [23]		
YA30L28				3/4	----	1.03 [26]	1.20 [30]	.81 [20]	3.12 [80]	.75 [19]	.81 [21]	.16 [4]	.77 [19]

CONNECTOR SIZE	TOLERANCES					
	B	C	K DIA.	L	N	O.D.
-8C THRU -25	±.06	±.04	±.02	±.09	±.03	±.01
-26 THRU -34	±.08	±.04	±.02	±.12	±.03	±.01
-35 AND UP	±.09	±.06	±.02	±.15	±.06	±.01

TOLERANCE BLOCK

CATALOG NO.	COLOR CODE	DIE INFORMATION		MECHANICAL RATCHET				HYDRAULIC						DIELESS (# CRIMPS)	WIRE STRIP LENGTH	
		DIE INDEX	TYPE	YIMRTC	OUR840	MD6 MD7	MD6--R2 MD7-34R	Y500CT PATMD6 PAT600	Y34A Y34B Y34BH	Y35, Y39 Y750, PAT750	Y46 PAT46	Y45	Y48B			Y60BHU
YA29L2 YA29L7 YA29L4 YA29L YA29LTC78	YELLOW	16	YELLOW DIE SET	----	X29RT(4)	X29RT(4) W29VT(2)	X29RT(4) W29RT(2) W29VT(2)	X29RT(4) W29RT(2) W29VT(2)	A29R(1)	U29RT(1)	U29RT(1)	U29RT(1)	C29R(1)	L29RT(1)	MECHANICAL MY29-3 (1) MY29-11 (1)	1-1/8"
			NEST	----	----	----	----	----	A29D(1) B29D(1)	U29D-1(1)	U29D-1(1)	U29D-1(1)	C29D(1)	----	HYDRAULIC: Y644 (1) Y81KFT (2) Y4PC834 (2)	
			INDENTOR	----	----	----	----	----	Y34PR	Y34PR	Y34PR	Y34PR	Y48PR	----		
YA30L1 YA30L24 YA30L YA30L7 YA30L27 YA30L28 YA30LUNPL	WHITE	17 298	WHITE DIE SET	----	----	W30VT(2)	W30RT(2) W30VT(2)	W30RT(2) W30VT(2)	A28AR(1)	U30RT(2) U28ART(2)	U30RT(2) U28ART(2)	U30RT(2) U28ART(2)	C30R(2) C28AR(2)	L30RT(1)	HYDRAULIC: Y644 (1) Y81KFT (2) Y4PC834 (2)	1-1/6"
			NEST	----	----	----	----	----	A30D(1) B30D(1)	U30D-1(1)	U30D-1(1)	U30D-1(1)	C30D(1)	----		
			INDENTOR	----	----	----	----	----	Y34PR	Y34PR	Y34PR	Y34PR	Y34PR	----		



NOTES:

- MATERIAL: COPPER TUBING.
- FINISH: TIN PLATED.
"FOR ALTERNATIVE FINISH ADD ONE OF THE FOLLOWING SUFFIXES:
NICKEL = NK, LEAD = LD, BARE = BR, SILVER = SV"
- CATALOG NUMBERS MAY END IN SUFFIX "BOX" WHICH DENOTES SMALLER UNIT PACKAGING.
- INSTALLATION TOOLING AND DIES ARE CONSTANTLY BEING UPDATED. FOR THE LATEST INSTALLATION TOOLING INFORMATION REFER TO THE MASTER CATALOG ON THE BURNDY WEBSITE.
- DIMENSIONS IN BRACKETS [] ARE IN MILLIMETERS ROUNDED OFF TO THE NEAREST MILLIMETER, UNLESS OTHERWISE NOTED, AND ARE FOR REFERENCE ONLY.
- CONNECTORS ARE UL LISTED; UNDRILLED VERSIONS ARE NOT UL LISTED.
- CONNECTORS ARE CSA CERTIFIED. UNDRILLED VERSIONS ARE NOT CSA CERTIFIED.
- FOR UNDRILLED VERSIONS ADD SUFFIX "-U" TO END OF CATALOG NUMBER.
FOR UNDRILLED VERSIONS, USE D MIN. = N MAX. + Z MIN.
- ADD SUFFIX "UNPL" FOR UNPLATED CONNECTORS WITH NO BARREL MARKINGS.

REFERENCE: SE209240

TO ORDER BURNDY@PRODUCTS CALL		COPPER HYLUG™	
UNITED STATES: 1-800-346-4175 (LONDONDERRY, NH)		ITEM NO: N/A	CAT. NO: YA-L, YA-L-TC-, YAV-TC-
CANADA: 1-800-361-6975 (QUEBEC) 1-800-387-6487 (ALL OTHER PROVINCES)		DRAWN BY: J MICHAUD 8/9/94	CHECKER: D FILLION 10/3/94
FOR PRODUCT INFO: http://www.burndy.com		DSN APPVL: C PALAGI 8/19/94	MFG APPVL: N/A N/A
		QA APPVL: C ACKERMAN 9/30/94	MKT APPVL: T NELSON 9/7/94
		SCALE: 1:1	
		PROD FAM: CM&R COMPRESSION	DRAWING NO: SD079848
		PROJECT #: --	SIZE: D
		DOCUMENT TYPE: Sales	SHEET 11 OF 17
		REL LEVEL: Released	REV: R

REV: CREO 08/10/21

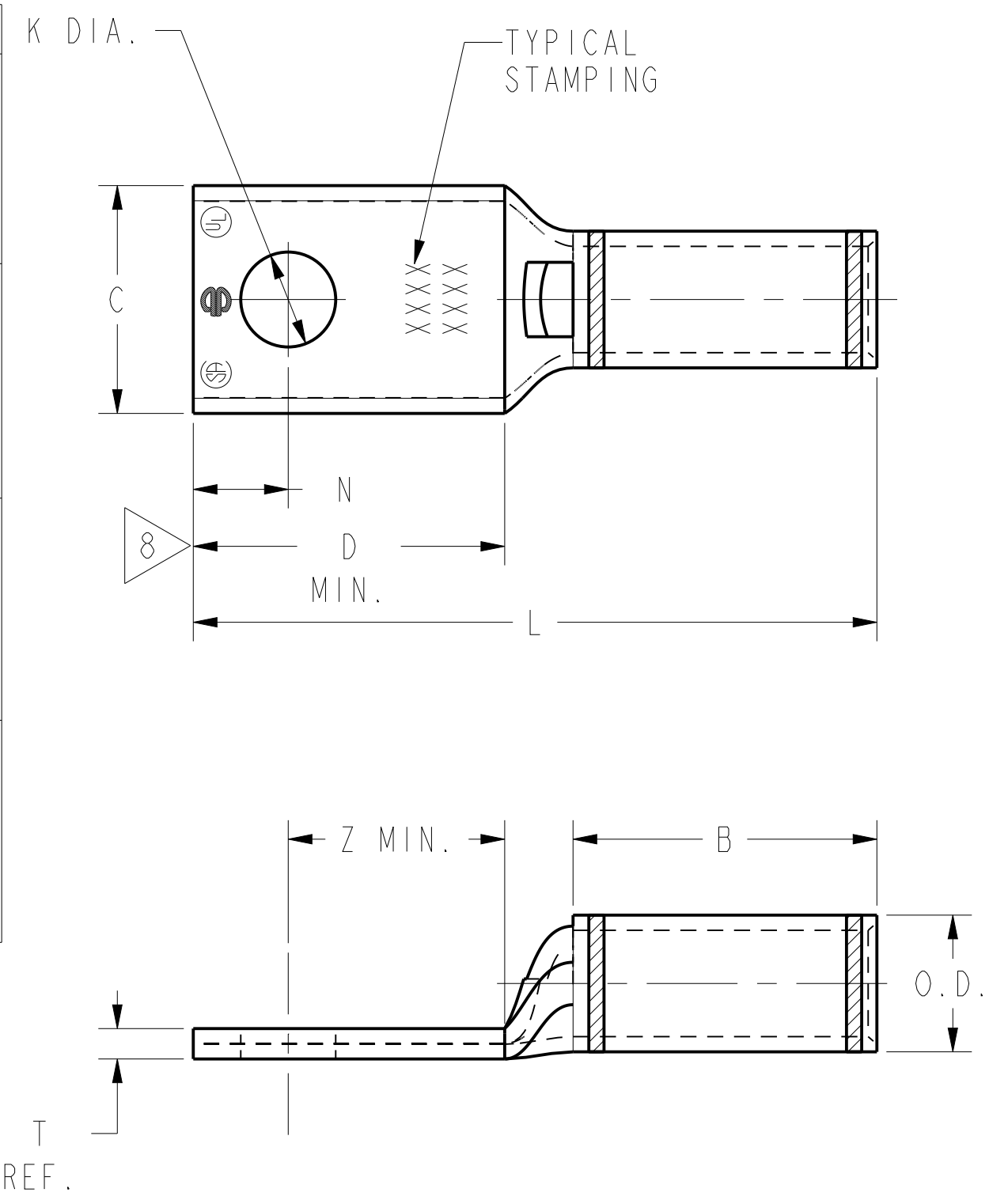
REV	DATE	DESCRIPTION	ECO	BY	CHK.
R	2021-11-30 00:00:00 EST	UPDATED AS PER MARKUP	211109014229	YR	RA

CATALOG NUMBER	STRANDED COPPER CONDUCTOR ACCOMMODATED			BOLT SIZE	METRIC BOLT SIZE	DIMENSIONS							
	CODE (AWG)	NAVY	METRIC SIZE (CLASS 2)			B	C	K DIA.	L	N	O.D.	T REF.	Z MIN.
YA31L11	350 kcmil	350	----	3/8	----	1.06 [27]	1.29 [33]	.40 [10]	2.50 [64]	.41 [10]	.88 [22]	.18 [5]	.42 [11]
YA31L				1/2	M12	↑	↑	.53 [13]	2.75 [70]	.53 [13]	↑	↑	.55 [14]
YA31L7				5/8	M16	↓	↓	.69 [18]	3.00 [76]	.66 [17]	↓	↓	.67 [17]
YA31L36				7/8	----	↓	↓	.94 [24]	4.02 [102]	1.19 [30]	↓	↓	1.16 [29]
YA31L38				3/4	M10	↑	↑	1.06 [27]	1.29 [33]	.81 [21]	3.16 [80]	.75 [19]	.88 [22]
YA32L14	400 kcmil	400	----	3/8	----	1.19 [30]	1.40 [36]	.40 [10]	2.68 [68]	.41 [10]	.95 [24]	.19 [5]	.42 [11]
YA32L1				1/2	M12	↑	↑	.53 [13]	2.93 [74]	.53 [13]	↑	↑	.55 [14]
YA32L1UNPL				5/8	M16	↓	↓	.69 [18]	3.18 [81]	.67 [17]	↓	↓	.67 [17]
YA32L				7/8	----	↓	↓	1.19 [30]	1.40 [36]	.94 [24]	3.62 [92]	.88 [22]	.95 [24]
YA32LTC78	450 kcmil	----	----	5/8	M16	1.50 [38]	1.48 [38]	.69 [18]	3.57 [91]	.66 [17]	1.01 [26]	.21 [5]	.67 [17]
YA33L													

CONNECTOR SIZE	TOLERANCES					
	B	C	K DIA.	L	N	O.D.
-8C THRU -25	±.06	±.04	±.02	±.09	±.03	±.01
-26 THRU -34	±.08	±.04	±.02	±.12	±.03	±.01
-35 AND UP	±.09	±.06	±.02	±.15	±.06	±.01

TOLERANCE BLOCK

CATALOG NO.	COLOR CODE	INSTALLATION TOOLING (# CRIMPS)															DIELESS (# CRIMPS)	WIRE STRIP LENGTH
		DIE INFORMATION		MECHANICAL RATCHET					HYDRAULIC									
		DIE INDEX	TYPE	YIMRTC	OUR840	MD6 MD7	MD6--R2 MD7-34R	Y500CT PATMD6 PAT600	Y34A Y34B Y34BH	Y35, Y39 Y750, PAT750	Y46 PAT46	Y45	Y48B	Y60BHU				
YA31L11 YA31L YA31L7 YA31L36 YA31L38	RED	18 324	RED DIE SET NEST INDENTOR	----	----	W31VT(2)	W31RT(2) W31VT(2)	W31VT(2) W31RT(2)	----	U31RT(2) U29ART(2)	U31RT(2) U29ART(2)	U31RT(2) U29ART(2)	C31R(2) C29AR(2)	L31RT(1) L29ART(1)	HYDRAULIC: Y644 (1) Y81KFT (2) Y4PC834 (2)	1-1/8"		
YA32L14 YA32L1 YA32L1UNPL YA32L YA32LTC78	BLUE	19 470	BLUE DIE SET NEST INDENTOR	----	----	W32VT(2)	W32RT(2) W32VT(2)	W32VT(2) W32RT(2)	----	U32RT(2) U30ART(2)	U32RT(2) U30ART(2)	U32RT(2) U30ART(2)	C32R(2) C30AR(2)	L32RT(1) L30ART(1)				
YA33L	GRAY	326 538	GRAY DIE SET NEST INDENTOR	----	----	W33VT(2)	W33RT(2) W33VT(2)	W33VT(2) W33RT(2)	----	U33RT(2)	U33RT(2)	U33RT(2)	----	L33RT(1)				



- NOTES:
- MATERIAL: COPPER TUBING.
 - FINISH: TIN PLATED.
"FOR ALTERNATIVE FINISH ADD ONE OF THE FOLLOWING SUFFIXES:
NICKEL = NK, LEAD = LD, BARE = BR, SILVER = SV"
 - CATALOG NUMBERS MAY END IN SUFFIX "BOX" WHICH DENOTES SMALLER UNIT PACKAGING.
 - INSTALLATION TOOLING AND DIES ARE CONSTANTLY BEING UPDATED. FOR THE LATEST INSTALLATION TOOLING INFORMATION REFER TO THE MASTER CATALOG ON THE BURNDY WEBSITE.
 - DIMENSIONS IN BRACKETS [] ARE IN MILLIMETERS ROUNDED OFF TO THE NEAREST MILLIMETER, UNLESS OTHERWISE NOTED, AND ARE FOR REFERENCE ONLY.
 - CONNECTORS ARE UL LISTED; UNDRILLED VERSIONS ARE NOT UL LISTED.
 - CONNECTORS ARE CSA CERTIFIED. UNDRILLED VERSIONS ARE NOT CSA CERTIFIED.
 - FOR UNDRILLED VERSIONS ADD SUFFIX "-U" TO END OF CATALOG NUMBER.
FOR UNDRILLED VERSIONS, USE D MIN. = N MAX. + Z MIN.
 - ADD SUFFIX "UNPL" FOR UNPLATED CONNECTORS WITH NO BARREL MARKINGS.

REFERENCE: SE209240

TO ORDER BURNDY@PRODUCTS CALL		COPPER HYLUG™	
UNITED STATES: 1-800-346-4175 (LONDONDERRY, NH)		ITEM NO: N/A	SCALE: 1:1
CANADA: 1-800-361-6975 (QUEBEC) 1-800-387-6487 (ALL OTHER PROVINCES)		CAT. NO: YA-L, YA-L-TC-, YAV-TC-	REV
FOR PRODUCT INFO: http://www.burndy.com		DRAWN BY: J MICHAUD 8/9/94	
		CHECKER: D FILLION 10/9/94	
		DSN APPVL: C PALAGI 8/19/94	
		MFG APPVL: N/A N/A	
		QA APPVL: C ACKERMAN 9/30/94	
		MKT APPVL: T NELSON 9/7/94	
		PROD FAM: CM&R COMPRESSION	DRAWING NO
		PROJECT #: --	SD079848
		DOCUMENT TYPE: Sales	R
		REL LEVEL: Released	SHEET 12 OF 17

REV: CREO 08/10/21

REV	DATE	DESCRIPTION	ECO	BY	CHK.
R	2021-11-30 00:00:00 EST	UPDATED AS PER MARKUP	211109014229	YR	RA

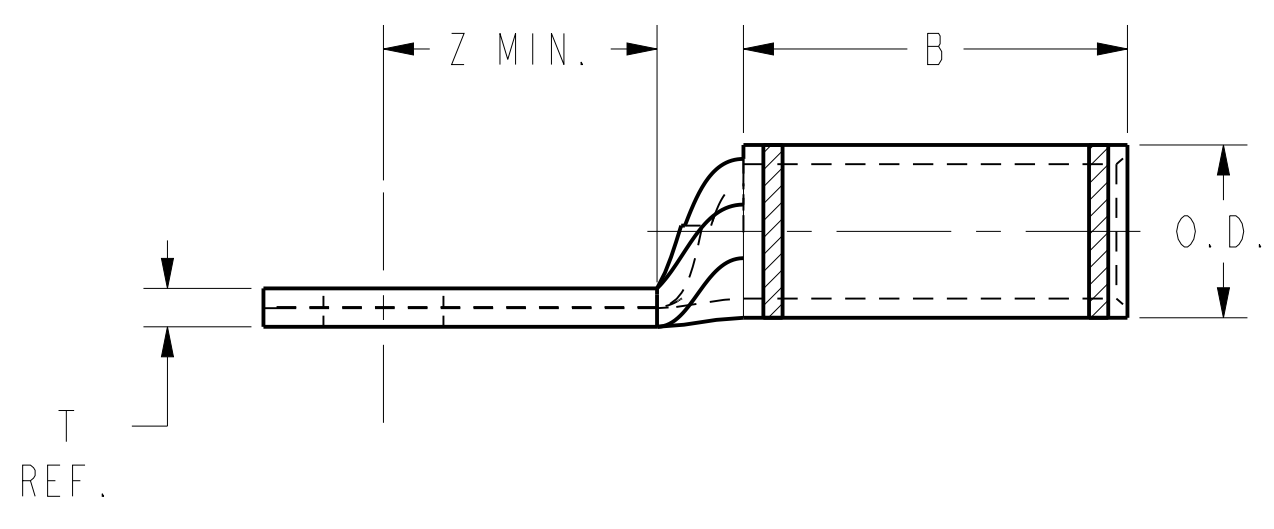
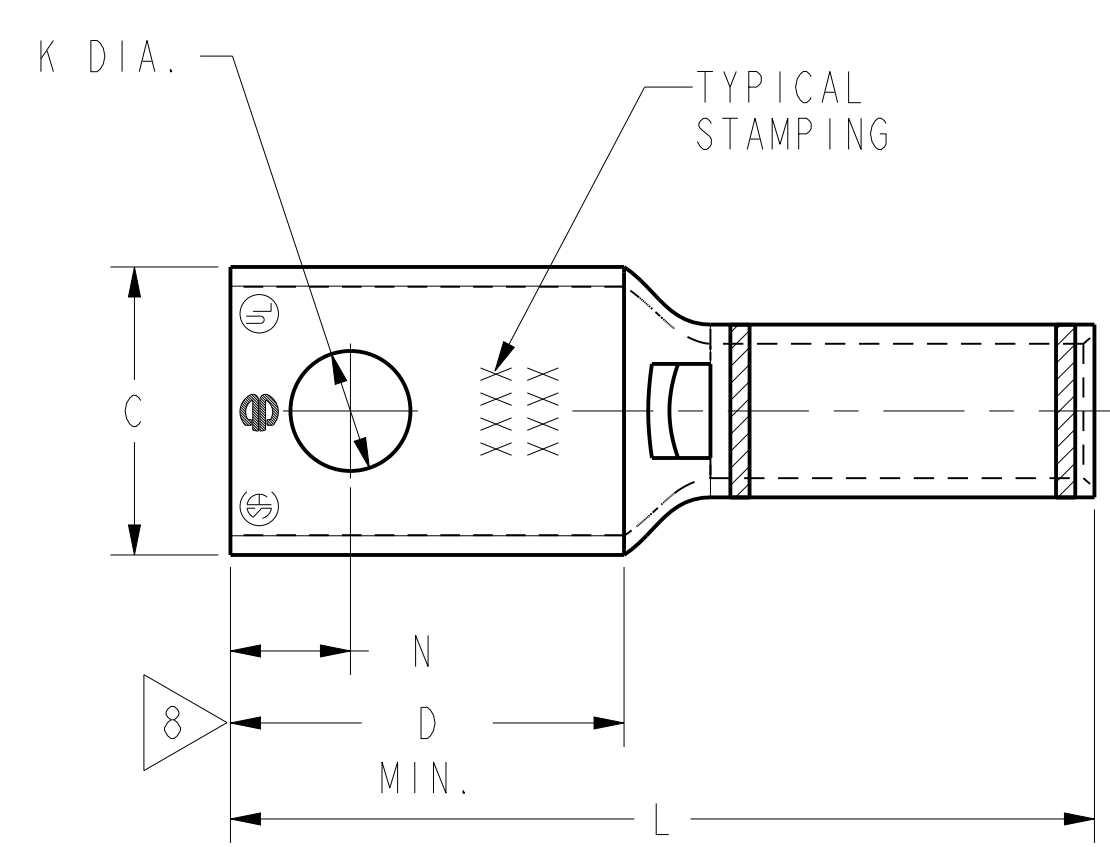
CATALOG NUMBER	STRANDED COPPER CONDUCTOR ACCOMMODATED			BOLT SIZE	METRIC BOLT SIZE	DIMENSIONS									
	CODE (AWG)	NAVY	METRIC SIZE (CLASS 2)			B	C	K DIA.	L	N	O.D.	T REF.	Z MIN.		
YA34L37	500 Kcmil ↑ 500 Kcmil	----	240mm ² STR [23.1]	3/8	----	1.27 [32]	1.55 [39]	.40 [10]	2.87 [73]	.41 [10]	1.06 [27]	.23 [6]	.42 [11]		
YA34L6				1/2	M12	.53 [13]	3.12 [79]	.53 [13]	.69 [18]	3.37 [86]	.66 [17]	.81 [21]	3.55 [90]	.75 [19]	.55 [14]
YA34L				5/8	M16	.69 [18]	3.37 [86]	.66 [17]	.81 [21]	3.55 [90]	.75 [19]	.94 [24]	3.80 [97]	.88 [22]	.67 [17]
YA34L8				3/4	----	.81 [21]	3.55 [90]	.75 [19]	.94 [24]	3.80 [97]	.88 [22]	1.07 [27]	4.05 [103]	1.00 [25]	.77 [20]
YA34L9				7/8	----	1.07 [27]	4.05 [103]	1.00 [25]							.89 [23]
YA34L20				1	----	1.07 [27]	4.05 [103]	1.00 [25]							1.02 [26]

CONNECTOR SIZE	TOLERANCES					
	B	C	K DIA.	L	N	O.D.
-8C THRU -25	±.06	±.04	±.02	±.09	±.03	±.01
-26 THRU -34	±.08	±.04	±.02	±.12	±.03	±.01
-35 AND UP	±.09	±.06	±.02	±.15	±.06	±.01

TOLERANCE BLOCK

CATALOG NO.	COLOR CODE	DIE INFORMATION		MECHANICAL RATCHET				HYDRAULIC						DIELESS (# CRIMPS)	WIRE STRIP LENGTH	
		DIE INDEX	TYPE	YIMRTC	OUR840	MD6 MD7	MD6--R2 MD7-34R	Y500CT PATMD6 PAT600	Y34A Y34B Y34BH	Y35, Y39 Y750, PAT750	Y46 PAT46	Y45	Y48B			Y60BHU
YA34L37 YA34L6 YA34L YA34L8 YA34L9 YA34L20	BROWN	20 299	BROWN DIE SET NEST INDENTOR	----	----	W34VT(2)	W34RT(2) W34VT(2)	W34VT(2) W34RT(2)	-----	U34RT(2) U31ART(1)	U34RT(2) P34RT(2) U31ART(1)	U34RT(2) U31ART(1)	C34R(1) C31AR(1)	L34RT(1)	HYDRAULIC: Y644 (1) Y81KFT (2) Y4PC834 (2)	1-7/16"
				----	----	-----	-----	-----	B34D(1) A34D(1)	U34D-1(1)	U34D-1(1)	U34D-1(1)	C34D1(1)	----		
									Y34PR	Y34PR	Y34PR	Y34PR	Y48PR			

INSTALLATION TOOLING (# CRIMPS)



NOTES:

- MATERIAL: COPPER TUBING.
- FINISH: TIN PLATED.
"FOR ALTERNATIVE FINISH ADD ONE OF THE FOLLOWING SUFFIXES:
NICKEL = NK, LEAD = LD, BARE = BR, SILVER = SV"
- CATALOG NUMBERS MAY END IN SUFFIX "BOX" WHICH DENOTES SMALLER UNIT PACKAGING.
- INSTALLATION TOOLING AND DIES ARE CONSTANTLY BEING UPDATED. FOR THE LATEST INSTALLATION TOOLING INFORMATION REFER TO THE MASTER CATALOG ON THE BURNDY WEBSITE.
- DIMENSIONS IN BRACKETS [] ARE IN MILLIMETERS ROUNDED OFF TO THE NEAREST MILLIMETER, UNLESS OTHERWISE NOTED, AND ARE FOR REFERENCE ONLY.
- CONNECTORS ARE UL LISTED; UNDRILLED VERSIONS ARE NOT UL LISTED.
- CONNECTORS ARE CSA CERTIFIED. UNDRILLED VERSIONS ARE NOT CSA CERTIFIED.
- FOR UNDRILLED VERSIONS ADD SUFFIX "-U" TO END OF CATALOG NUMBER.
FOR UNDRILLED VERSIONS, USE D MIN. = N MAX. + Z MIN.

REFERENCE: SE209240

TO ORDER BURNDY@PRODUCTS CALL		HULLUG,™ COPPER	
UNITED STATES: 1-800-346-4175 (LONDONDERRY, NH)		ITEM NO: N/A	
CANADA: 1-800-361-6975 (QUEBEC) 1-800-387-6487 (ALL OTHER PROVINCES)		CAT. NO: YA-L, YA-L-TC-, YAV-TC-	
FOR PRODUCT INFO: http://www.burndy.com		DRAWN BY: J MICHAUD 8/10/94	
		CHECKER: D FILLION 10/3/94	
		DSN APPVL: C PALAGI 8/19/94	
		MFG APPVL: N/A N/A	
		QA APPVL: C ACKERMAN 9/30/94	
		MKT APPVL: T NELSON 9/30/94	
		SCALE: 1:1	
		PROD FAM: CM&R COMPRESSION	
		DRAWING NO	
		SD079848	
		REVISION	
		R	
		SHEET 13 OF 17	

REV: CREO 08/10/21

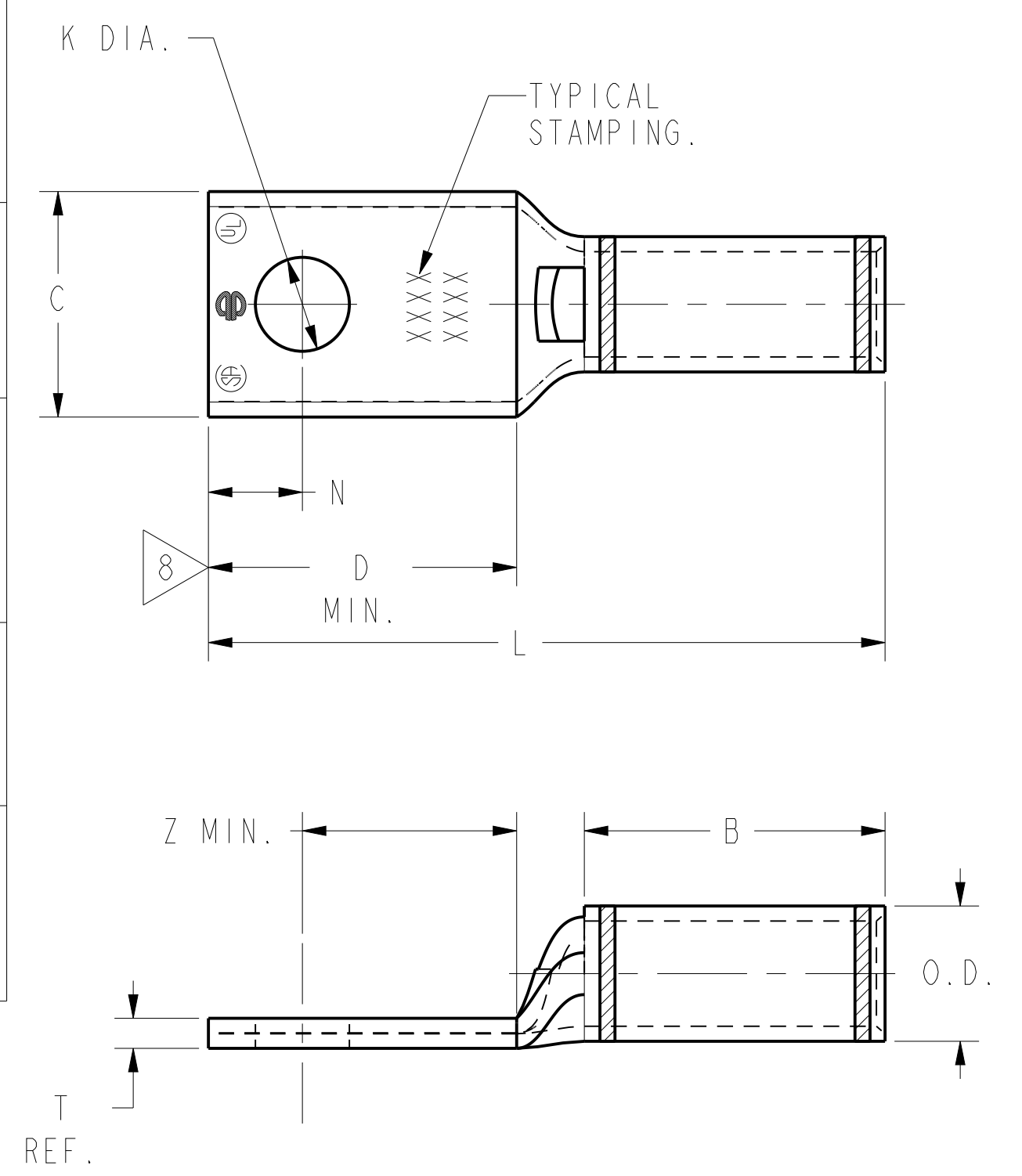
REV	DATE	DESCRIPTION	ECO	BY	C.H.K.
R	2021-11-30 00:00:00 EST	UPDATED AS PER WORKUP	211109014229	YR	RA

CATALOG NUMBER	STRANDED COPPER CONDUCTOR ACCOMMODATED			BOLT SIZE	METRIC BOLT SIZE	DIMENSIONS							
	CODE (AWG)	NAVY	METRIC SIZE (CLASS 2)			B	C	K DIA.	L	N	O.D.	T REF.	Z MIN.
YA35L	550 Kcmil	-----	-----	5/8	M16	1.69 [43]	1.65 [42]	.69 [18]	3.81 [97]	.66 [17]	1.13 [29]	.25 [06]	.67 [17]
YA36L11 YA36L11UNPL	600 Kcmil	↑	300mm² STR [23.1]	1/2	M12	1.38 [35]	1.74 [44]	.53 [13]	3.29 [84]	.53 [13]	1.19 [30]	.27 [17]	.55 [14]
YA36L				5/8	M16	1.38 [35]	1.74 [44]	.69 [18]	3.54 [90]	.66 [17]	1.19 [30]	.67 [17]	
YA36L1				3/4	----	1.38 [35]	1.74 [44]	.81 [21]	3.72 [94]	.75 [19]	1.19 [30]	.77 [20]	
YA36L2				1/2	M12	1.38 [35]	1.74 [44]	.53 [13]	3.29 [84]	.53 [13]	1.19 [30]	.55 [14]	
YA36LTC78				7/8	----	1.38 [35]	1.74 [44]	.94 [24]	3.97 [101]	.88 [22]	1.19 [30]	.89 [23]	
YA37L	650 Kcmil	-----	-----	5/8	M16	1.39 [35]	1.80 [46]	.69 [18]	3.57 [91]	.66 [17]	1.23 [31]	.67 [17]	
YA37L1	650 Kcmil	-----	-----	3/4	----	1.39 [35]	1.80 [46]	.81 [21]	3.76 [96]	.75 [19]	1.23 [31]	.77 [20]	
YA38L	700 Kcmil	-----	-----	5/8	M16	1.45 [37]	1.84 [47]	.69 [18]	3.66 [93]	.66 [17]	1.25 [32]	.27 [17]	.67 [17]

CONNECTOR SIZE	TOLERANCES					
	B	C	K DIA.	L	N	O.D.
-8C THRU -25	±.06	±.04	±.02	±.09	±.03	±.01
-26 THRU -34	±.08	±.04	±.02	±.12	±.03	±.01
-35 AND UP	±.09	±.06	±.02	±.15	±.06	±.01

TOLERANCE BLOCK

INSTALLATION TOOLING (# CRIMPS)																
CATALOG NO.	COLOR CODE	DIE INFORMATION		MECHANICAL RATCHET				HYDRAULIC							DIELESS (# CRIMPS)	WIRE STRIP LENGTH
		DIE INDEX	TYPE	YIMRTC	OUR840	MD6 MD7	MD6--R2 MD7-34R	Y500CT PATMD6 PAT600	Y34A Y34B Y34BH	Y35, Y39 Y750, PAT750	Y46 PAT46	Y45	Y48B	Y60BHU		
YA35L	YELLOW	21	YELLOW DIE SET	----	----	----	----	----	----	U35RT(2)	U35RT(2)	U35RT(2)	----	L35RT(1)	HYDRAULIC: Y644 (1) Y81KFT (2) Y4PC834 (2)	1-3/4"
			NEST	----	----	----	----	----	----		P35D(1)	----	C35D(1)			
			INDENTOR	----	----	----	----	----	----		P44PR	----	Y48PR			
YA36L11 YA36L11UNPL YA36L YA36L1 YA36L2 YA36LTC78	GREEN	22 472	GREEN DIE SET	----	----	----	----	----	----	U36RT(2) U32ART(2)	U36RT(2) U32ART(2)	U36RT(2) U32ART(2)	C36R(1) C32AR(1)	L36RT(1) L32ART(1)		1-3/4"
			NEST	----	----	----	----	----	----		P36D(1)	----	C36D(1)	----		
			INDENTOR	----	----	----	----	----	----		P44PR	----	Y48PR	----		
YA37L YA37L1	ORANGE	23	ORANGE DIE SET	----	----	----	----	----	----	U37RT(2)	U37RT(2)	U37RT(2)	C37R(1)	L37RT(1)	HYDRAULIC: Y644 (1) Y81KFT (3) Y4PC834 (3)	1-15/16"
			NEST	----	----	----	----	----	----		P37D(1)	----	C37D(1)	----		
			INDENTOR	----	----	----	----	----	----		P44PR	----	Y48PR	----		
YA38L	PINK	400	PINK DIE SET	----	----	----	----	----	----	U38RT(2)	U38RT(2)	U38RT(2)	----	L38RT(1)		1-15/16"
			NEST	----	----	----	----	----	----		P38D(1)	----	C38D(1)	----		
			INDENTOR	----	----	----	----	----	----		P44PR	----	Y48PR	----		



NOTES:

- MATERIAL: COPPER TUBING.
- FINISH: TIN PLATED.
"FOR ALTERNATIVE FINISH ADD ONE OF THE FOLLOWING SUFFIXES:
NICKEL = NK, LEAD = LD, BARE = BR, SILVER = SV"
- CATALOG NUMBERS MAY END IN SUFFIX "BOX" WHICH DENOTES SMALLER UNIT PACKAGING.
- INSTALLATION TOOLING AND DIES ARE CONSTANTLY BEING UPDATED. FOR THE LATEST INSTALLATION TOOLING INFORMATION REFER TO THE MASTER CATALOG ON THE BURNDY WEBSITE.
- DIMENSIONS IN BRACKETS [] ARE IN MILLIMETERS ROUNDED OFF TO THE NEAREST MILLIMETER, UNLESS OTHERWISE NOTED, AND ARE FOR REFERENCE ONLY.
- CONNECTORS ARE UL LISTED; UNDRILLED VERSIONS ARE NOT UL LISTED.
- CONNECTORS ARE CSA CERTIFIED. UNDRILLED VERSIONS ARE NOT CSA CERTIFIED.
- FOR UNDRILLED VERSIONS ADD SUFFIX "-U" TO END OF CATALOG NUMBER.
FOR UNDRILLED VERSIONS, USE D MIN. = N MAX. + Z MIN.
- ADD SUFFIX "UNPL" FOR UNPLATED CONNECTORS WITH NO BARREL MARKINGS.

REFERENCE: SE209240

TO ORDER BURNDY@PRODUCTS CALL		COPPER HYLUG™	
UNITED STATES: 1-800-346-4175 (LONDONDERRY, NH)		ITEM NO: N/A	CAT. NO: YA-L-, YAV- (TABLE)
CANADA: 1-800-361-6975 (QUEBEC) 1-800-387-6487 (ALL OTHER PROVINCES)		DRAWN BY: J MICHAUD 8/17/94	CHECKER: D FILLION 10/3/94
FOR PRODUCT INFO: http://www.burndy.com		DSN APPVL: C PALAGI 8/19/94	MFG APPVL: N/A N/A
		QA APPVL: C ACKERMAN 9/30/94	MKT APPVL: T NELSON 9/7/94
		PROD FAM: CM&R COMPRESSION	DRAWING NO: SD079848
		PROJECT #: --	SIZE: D
		DOCUMENT TYPE: Sales	REL LEVEL: Released
		SCALE: 1:1	
		SHEET 14 OF 17	

REV: CREO_08/10/21

REV	DATE	DESCRIPTION	ECO	BY	CHK.
R	2021-11-30 00:00:00 EST	UPDATED AS PER WORKUP	211109014229	YR	RA

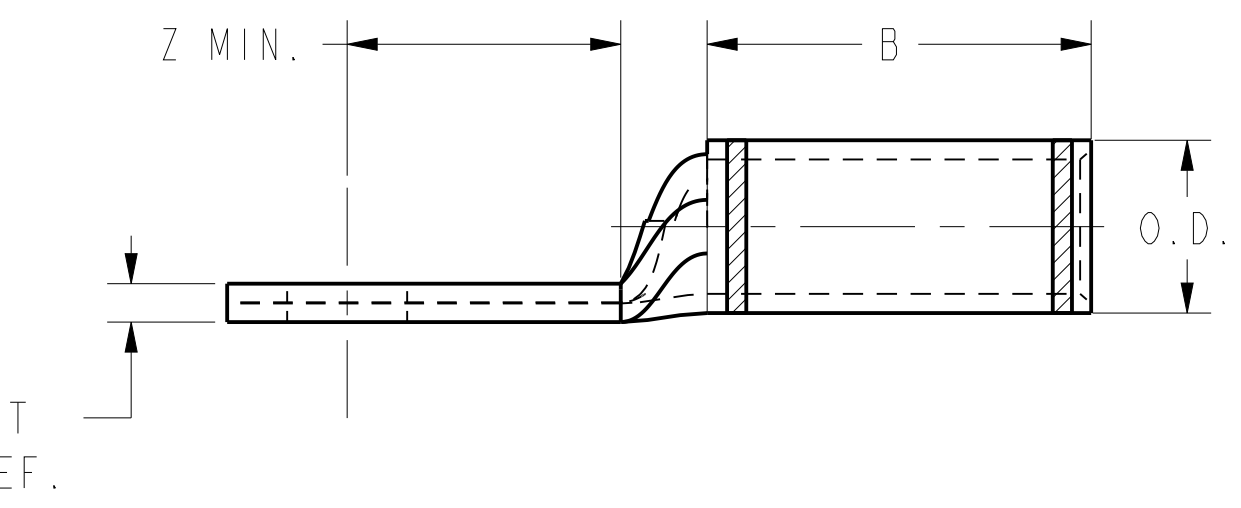
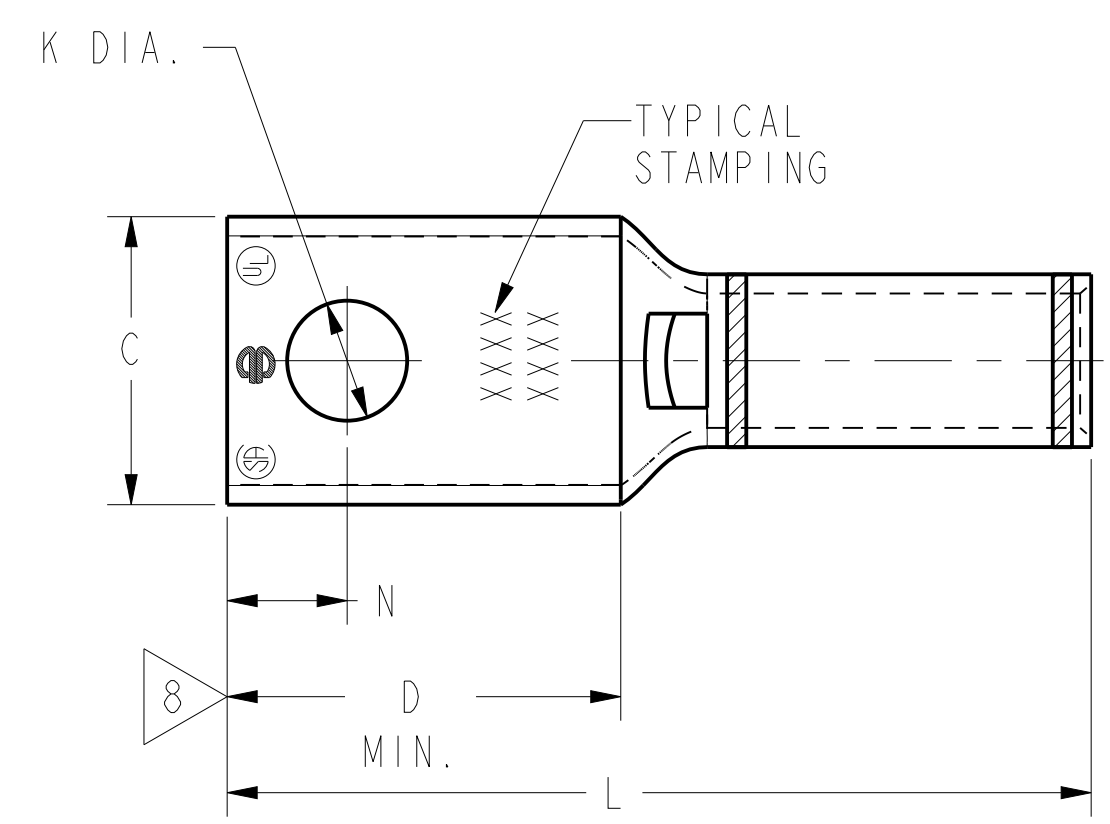
CATALOG NUMBER	STRANDED COPPER CONDUCTOR ACCOMMODATED			BOLT SIZE	METRIC BOLT SIZE	DIMENSIONS							
	CODE (AWG)	NAVY	METRIC SIZE (CLASS 2)			B	C	K DIA	L	N	O.D.	T REF.	Z MIN.
YA39L YA39LUNPL	750 Kcmil	↑ ----- ↓	375mm ² STR	5/8	M16	1.42 [36]	1.91 [49]	.69 [18]	3.57 [93]	.66 [17]	1.30 [33]	.27 [7]	.67 [17]
YA39L2				7/8	----	↑	↑	.94 [24]	4.10 [104]	.88 [22]	↑	↑	.89 [23]
YA39L9				1-1/4	----	↓	↓	1.31 [33]	4.85 [123]	1.25 [32]	↓	↓	1.27 [32]
YA39L6				1/2	M12	1.42 [36]	1.91 [49]	.53 [13]	3.41 [87]	.53 [13]	1.30 [33]	.27 [7]	.55 [14]
YA40L				800 Kcmil	400mm ² STR [26.1]	5/8	M16	1.42 [36]	1.98 [50]	.69 [18]	3.81 [97]	.66 [17]	1.35 [34]
YA41L	850 Kcmil	-----	-----	5/8	M16	1.88 [48]	2.01 [51]	.69 [18]	4.15 [105]	.66 [17]	1.38 [8]	.31 [8]	.67 [17]

CONNECTOR SIZE	TOLERANCES					
	B	C	K DIA.	L	N	O.D.
-8C THRU -25	±.06	±.04	±.02	±.09	±.03	±.01
-26 THRU -34	±.08	±.04	±.02	±.12	±.03	±.01
-35 AND UP	±.09	±.06	±.02	±.15	±.06	±.01

TOLERANCE BLOCK

CATALOG NO.	COLOR CODE	INSTALLATION TOOLING (# CRIMPS)														
		DIE INFORMATION		MECHANICAL RATCHET				HYDRAULIC							DIELESS (# CRIMPS)	WIRE STRIP LENGTH
DIE INDEX	TYPE	YIMRTC	OUR840	MD6 MD7	MD6--R2 MD7-34R	Y500CT PATMD6 PAT600	Y34A Y34B Y34BH	Y35, Y39 Y750, PAT750	Y46 PAT46	Y45	Y48B	Y60BHU				
YA39L YA39LUNPL YA39L2 YA39L9 YA39L6	BLACK	24	BLACK DIE SET	----	----	----	----	----	----	U39RT(2)	U39RT(2) P39RT(2)	U39RT(2) S39RT(2)	C39R(1) C36AR(1)	L39RT(1) L36ART(1)		1-15/16"
YA40L	ORANGE	25	ORANGE DIE SET	----	----	----	----	----	----	P40RT(3)	S40RT(3)	C40R(1)	L40RT(1)	HYDRAULIC: Y644 (1) Y81KFT (3) Y4PC834 (3)	1-15/16"	
			NEST	----	----	----	----	----	P40D(1)	----	C40D(1)	----				
			INDENTOR	----	----	----	----	----	P44PR	----	Y48PR	----				
YA41L	GOLD	26	GOLD DIE SET	----	----	----	----	----	----	----	----	----	----	1-15/16"		
			NEST	----	----	----	----	----	----	P41D(1)	----	C41D(1)	----			
			INDENTOR	----	----	----	----	----	----	P44PR	----	Y48PR	----			

- NOTES:
- MATERIAL: COPPER TUBING.
 - FINISH: TIN PLATED.
"FOR ALTERNATIVE FINISH ADD ONE OF THE FOLLOWING SUFFIXES:
NICKEL = NK, LEAD = LD, BARE = BR, SILVER = SV"
 - CATALOG NUMBERS MAY END IN SUFFIX "BOX" WHICH DENOTES SMALLER UNIT PACKAGING.
 - INSTALLATION TOOLING AND DIES ARE CONSTANTLY BEING UPDATED. FOR THE LATEST INSTALLATION TOOLING INFORMATION REFER TO THE MASTER CATALOG ON THE BURNDY WEBSITE.
 - DIMENSIONS IN BRACKETS [] ARE IN MILLIMETERS ROUNDED OFF TO THE NEAREST MILLIMETER, UNLESS OTHERWISE NOTED, AND ARE FOR REFERENCE ONLY.
 - CONNECTORS ARE UL LISTED; UNDRILLED VERSIONS ARE NOT UL LISTED.
 - CONNECTORS ARE CSA CERTIFIED. UNDRILLED VERSIONS ARE NOT CSA CERTIFIED.
 - FOR UNDRILLED VERSIONS ADD SUFFIX "-U" TO END OF CATALOG NUMBER.
FOR UNDRILLED VERSIONS, USE D MIN. = N MAX. + Z MIN.
 - ADD SUFFIX "UNPL" FOR UNPLATED CONNECTORS WITH NO BARREL MARKINGS.



REFERENCE: SE209240

TO ORDER BURNDY@PRODUCTS CALL		COPPER HYLUG™	
UNITED STATES: 1-800-346-4175 (LONDONDERRY, NH)		ITEM NO: N/A	CAT. NO: YA-L, YA-L-TC-, YAV-TC-
CANADA: 1-800-361-6975 (QUEBEC) 1-800-387-6487 (ALL OTHER PROVINCES)		DRAWN BY: J MICHAUD 8/17/94	CHECKER: D FILLION 10/3/94
FOR PRODUCT INFO: http://www.burndy.com		DSN APPVL: C PALAGI 8/19/94	MFG APPVL: N/A N/A
		QA APPVL: C ACKERMAN 9/30/94	MKT APPVL: T NELSON 9/7/94
		SCALE: 1:1	
		PROD FAM: CM&R COMPRESSION	DRAWING NO: SD079848
		PROJECT #: --	SIZE: D
		DOCUMENT TYPE: Sales	REL LEVEL: Released
		SHEET 15 OF 17	

REV: CREO_08/10/21

REV	DATE	DESCRIPTION	ECO	BY	C.H.K.
R	2021-11-30 00:00:00 EST	UPDATED AS PER WORKUP	211109014229	YR	RA

CATALOG NUMBER	STRANDED COPPER CONDUCTOR ACCOMMODATED			BOLT SIZE	METRIC BOLT SIZE	DIMENSIONS							
	CODE (AWG)	NAVY	METRIC SIZE (CLASS 2)			B	C	K DIA.	L	N	O.D.	T REF.	Z MIN.
YA44L	1000 Kcmil	-----	-----	5/8	M16	1.65 [42]	2.19 [56]	.69 [18]	4.04 [103]	.66 [17]	1.50 [38]	.33 [8]	.67 [17]
YA44L2	1000 Kcmil	-----	-----	1/2	M12	1.65 [42]	2.19 [56]	.56 [14]	3.98 [101]	.63 [16]	1.50 [38]	.33 [8]	.64 [16]
YA44L23	1000 Kcmil	-----	-----	1	----	1.65 [42]	2.19 [56]	1.06 [27]	4.73 [120]	1.00 [25]	1.50 [38]	.33 [8]	1.02 [26]
YA45L	1250 Kcmil	-----	630mm ² STR [32.2]	3/4	----	2.00 [51]	2.46 [62]	.81 [21]	4.68 [119]	.75 [19]	1.69 [43]	.38 [10]	.77 [20]
YA45L12	1250 Kcmil	-----	630mm ² STR [32.2]	1/2	M12	2.00 [51]	2.46 [62]	.56 [14]	4.43 [113]	.63 [16]	1.69 [43]	.38 [10]	.64 [16]
YA453L	1300 Kcmil	-----	-----	3/4	----	2.00 [51]	2.53 [64]	.81 [21]	4.71 [120]	.75 [19]	1.74 [44]	.39 [10]	.77 [20]

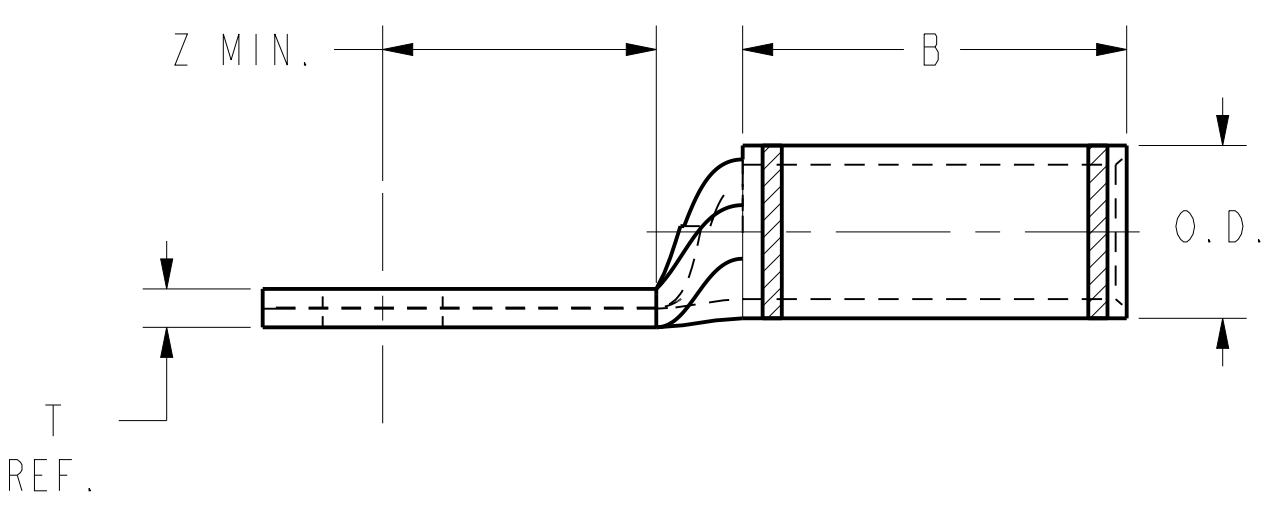
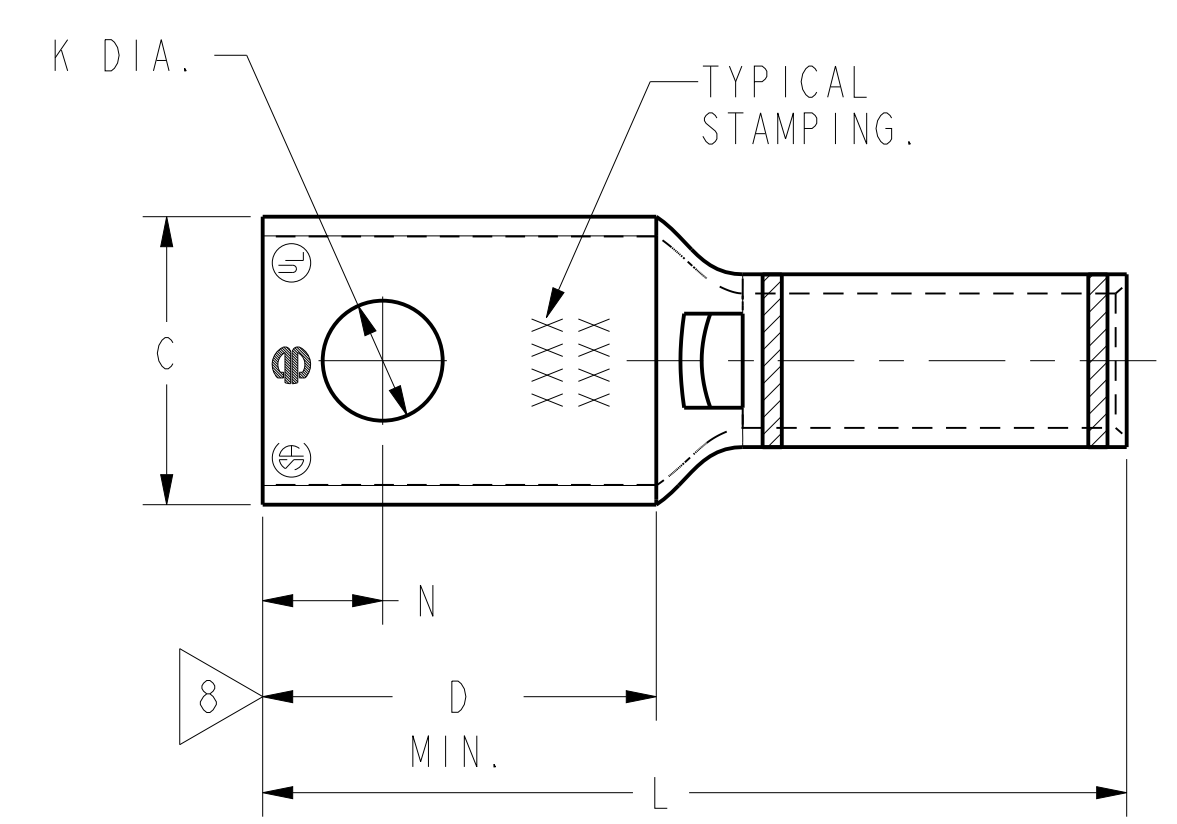
CONNECTOR SIZE	TOLERANCES					
	B	C	K DIA.	L	N	O.D.
-8C THRU -25	±.06	±.04	±.02	±.09	±.03	±.01
-26 THRU -34	±.08	±.04	±.02	±.12	±.03	±.01
-35 AND UP	±.09	±.06	±.02	±.15	±.06	±.01

TOLERANCE BLOCK

CATALOG NO.	COLOR CODE	INSTALLATION TOOLING (# CRIMPS)														
		DIE INFORMATION		MECHANICAL					HYDRAULIC						DIELESS (# CRIMPS)	WIRE STRIP LENGTH
DIE INDEX	TYPE	YIMRTC	OUR840	MD6 MD7	MD6--R2 MD7-34R	Y500CT PATMD6 PAT600	Y34A Y34B Y34BH	Y35, Y39 Y750, PAT750	Y46 PAT46	Y45	Y48B	Y60BHU				
YA44L YA44L2 YA44L23	WHITE	27	WHITE DIE SET	----	----	----	----	----	----	----	P44RT(3)	S44RT(3)	C44R(1)	L44RT(2)	HYDRAULIC: Y644 (1) Y81KFT (3) Y4PC834 (3)	1-15/16"
			NEST	----	----	----	----	----	----	----	P44D(1)	----	C44D(1)	----		
			INDENTOR	----	----	----	----	----	----	----	P44PR	----	Y48PR	----		
YA45L YA45L12	YELLOW	29	YELLOW DIE SET	----	----	----	----	----	----	----	P45RT(3)	S45RT(3)	C45R(2)	L45RT(2)	----	2-1/16"
			NEST	----	----	----	----	----	----	----	P45D(1)	----	C45D(1)	----		
			INDENTOR	----	----	----	----	----	----	----	P44PR	----	Y48PR	----		
YA53L	ORANGE	30	ORANGE DIE SET	----	----	----	----	----	----	----	----	----	----	----	----	2-1/16"
			NEST	----	----	----	----	----	----	----	----	----	C453D(1)	----		
			INDENTOR	----	----	----	----	----	----	----	----	----	Y48PR	----		

NOTES:

- MATERIAL: COPPER TUBING.
- FINISH: TIN PLATED.
"FOR ALTERNATIVE FINISH ADD ONE OF THE FOLLOWING SUFFIXES:
NICKEL = NK, LEAD = LD, BARE = BR, SILVER = SV"
- CATALOG NUMBERS MAY END IN SUFFIX "BOX" WHICH DENOTES SMALLER UNIT PACKAGING.
- INSTALLATION TOOLING AND DIES ARE CONSTANTLY BEING UPDATED. FOR THE LATEST INSTALLATION TOOLING INFORMATION REFER TO THE MASTER CATALOG ON THE BURNDY WEBSITE.
- DIMENSIONS IN BRACKETS [] ARE IN MILLIMETERS ROUNDED OFF TO THE NEAREST MILLIMETER, UNLESS OTHERWISE NOTED, AND ARE FOR REFERENCE ONLY.
- CONNECTORS ARE UL LISTED; UNDRILLED VERSIONS ARE NOT UL LISTED.
- CONNECTORS ARE CSA CERTIFIED; UNDRILLED VERSIONS ARE NOT CSA CERTIFIED.
- FOR UNDRILLED VERSIONS ADD SUFFIX "-U" TO END OF CATALOG NUMBER.
FOR UNDRILLED VERSIONS, USE D MIN. = N MAX. + Z MIN.



REFERENCE: SE209240

TO ORDER BURNDY@PRODUCTS CALL		HYLUG™ COPPER	
UNITED STATES: 1-800-346-4175 (LONDONDERRY, NH)		ITEM NO: N/A	CAT. NO: YA-L, YA-L-TC & YAV-TC
CANADA: 1-800-361-6975 (QUEBEC) 1-800-387-6487 (ALL OTHER PROVINCES)		DRAWN BY: J MICHAUD 8/17/94	CHECKER: D FILLION 10/3/94
FOR PRODUCT INFO: http://www.burndy.com		DSN APPVL: C PALAGI 8/19/94	MFG APPVL: N/A N/A
		QA APPVL: C ACKERMAN 9/30/94	MKT APPVL: T NELSON 9/7/94
		SCALE: 1:1	
		PROD FAM: CM&R COMPRESSION	DRAWING NO: SD079848
		PROJECT #: --	SIZE: D
		DOCUMENT TYPE: Sales	SHEET 16 OF 17
		REL LEVEL: Released	REV: R

REV: CREO 08/10/21

REV	DATE	DESCRIPTION	ECO	BY	C.H.K.
R	2021-11-30 00:00:00 EST	UPDATED AS PER WORKUP	211109014229	YR	RA

CATALOG NUMBER	STRANDED COPPER CONDUCTOR ACCOMMODATED			BOLT SIZE	METRIC BOLT SIZE	DIMENSIONS							
	CODE (AWG)	NAVY	METRIC SIZE (CLASS 2)			B	C	K DIA.	L	N	O.D.	T REF.	Z MIN.
YA46L	1500 Kcmil	----	800mm ² STR [37.6]	3/4	----	2.00 [51]	2.69 [68]	.81 [21]	4.78 [121]	.75 [19]	1.84 [47]	.40 [10]	.77 [20]
YA47L	1750 Kcmil	----	----	3/4	----	2.19 [57]	2.90 [74]	.81 [21]	5.05 [128]	.75 [19]	1.98 [50]	.42 [11]	.77 [20]
YA48L	2000 Kcmil (1.632 DIA.)	----	1000mm ² STR [42.2]	3/4	----	2.25 [57]	3.10 [79]	.81 [21]	5.19 [132]	.75 [19]	2.13 [54]	.46 [12]	.77 [20]

CONNECTOR SIZE	TOLERANCES					
	B	C	K DIA.	L	N	O.D.
-8C THRU -25	±.06	±.04	±.02	±.09	±.03	±.01
-26 THRU -34	±.08	±.04	±.02	±.12	±.03	±.01
-35 AND UP	±.09	±.06	±.02	±.15	±.06	±.01

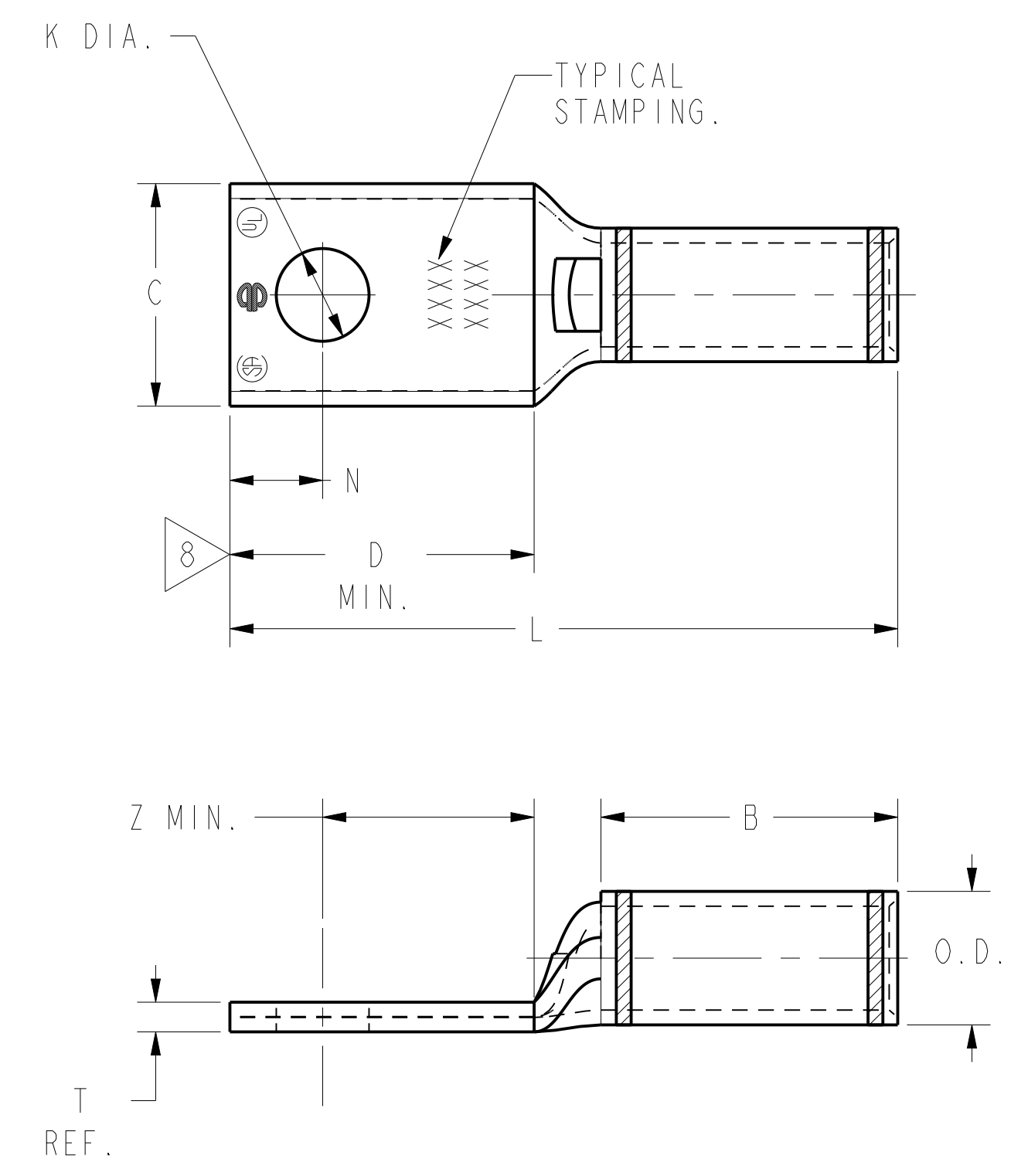
TOLERANCE BLOCK

INSTALLATION TOOLING (# CRIMPS)

CATALOG NO.	COLOR CODE	DIE INFORMATION		MECHANICAL RATCHET				HYDRAULIC						DIELESS (# CRIMPS)	WIRE STRIP LENGTH	
		DIE INDEX	TYPE	YIMRTC	OUR840	MD6 MD7	MD6--R2 MD7-34R	Y500CT PATMD6 PAT600	Y34A Y34B Y34BH	Y35, Y39 Y750, PAT750	Y46 PAT46	Y45	Y48B			Y60BHU
YA46L	GREEN	31	GREEN DIE SET	----	----	----	----	----	----	----	P46RT(3)	S46RT(3)	C46R(2)	L46RT(2)	----	2-1/16"
			NEST	----	----	----	----	----	----	----	9 P44PR(1)	----	C46D(1)	----		
			INDENTOR	----	----	----	----	----	----	----	----	----	Y48PR	----		
YA47L	GRAY	33	GRAY DIE SET	----	----	----	----	----	----	----	----	----	C47R(2)	L47RT(2)	----	2-1/4"
			NEST	----	----	----	----	----	----	----	----	----	C47D(1)	----		
			INDENTOR	----	----	----	----	----	----	----	----	----	Y48PR	----		
YA48L	BROWN	34	BROWN DIE SET	----	----	----	----	----	----	----	----	----	----	L48RT(3)	----	2-3/8"
			NEST	----	----	----	----	----	----	----	----	----	----	C48D(1)		
			INDENTOR	----	----	----	----	----	----	----	----	----	Y48PR	----		

NOTES:

- MATERIAL: COPPER TUBING.
- FINISH: TIN PLATED.
"FOR ALTERNATIVE FINISH ADD ONE OF THE FOLLOWING SUFFIXES:
NICKEL = NK, LEAD = LD, BARE = BR, SILVER = SV"
- CATALOG NUMBERS MAY END IN SUFFIX "BOX" WHICH DENOTES SMALLER UNIT PACKAGING.
- INSTALLATION TOOLING AND DIES ARE CONSTANTLY BEING UPDATED. FOR THE LATEST INSTALLATION TOOLING INFORMATION REFER TO THE MASTER CATALOG ON THE BURNDY WEBSITE.
- DIMENSIONS IN BRACKETS [] ARE IN MILLIMETERS ROUNDED OFF TO THE NEAREST MILLIMETER, UNLESS OTHERWISE NOTED, AND ARE FOR REFERENCE ONLY.
- CONNECTORS ARE UL LISTED; UNDRILLED VERSIONS ARE NOT UL LISTED.
- CONNECTORS ARE CSA CERTIFIED; UNDRILLED VERSIONS ARE NOT CSA CERTIFIED.
- FOR UNDRILLED VERSIONS ADD SUFFIX "-U" TO END OF CATALOG NUMBER.
FOR UNDRILLED VERSIONS, USE D MIN. = N MAX. + Z MIN.
- INDENTOR ONLY - NO NEST REQUIRED.



REFERENCE: SE209240

TO ORDER BURNDY@PRODUCTS CALL		COPPER HYLUG™	
UNITED STATES: 1-800-346-4175 (LONDONDERRY, NH)		ITEM NO: N/A	CAT. NO: YA-L, YA-L-TC-, YAV-TC-
CANADA: 1-800-361-6975 (QUEBEC) 1-800-387-6487 (ALL OTHER PROVINCES)		DRAWN BY: J MICHAUD 8/17/94	CHECKER: D FILLION 10/3/94
FOR PRODUCT INFO: http://www.burndy.com		DSN APPVL: C PALAGI 8/19/94	MFG APPVL: N/A N/A
		QA APPVL: C ACKERMAN 9/30/94	MKT APPVL: T NELSON 9/7/94
		SCALE: 1:1	
		PROD FAM: CM&R COMPRESSION	DRAWING NO: SD079848
		PROJECT #: --	SIZE: D
		DOCUMENT TYPE: Sales	SHEET 17 OF 17
		REL LEVEL: Released	REV: R

REV: CREO_08/10/21