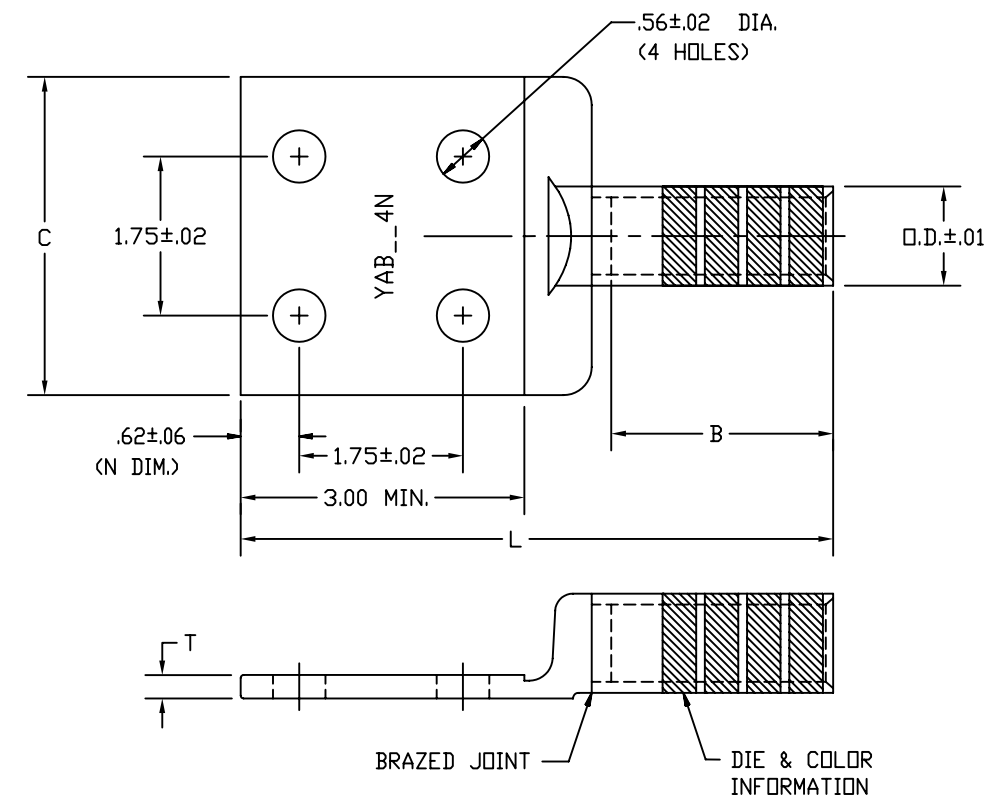


CATALOG NUMBER	COPPER CONDUCTOR AWG kcmil			DIMENSIONS				
	SIZE	STR	METRIC CABLE	B ±.09	C ±.06	L ±.15	O.D. [ ]	T ±.04
YAB39-4N	750 kcmil (.998)	37-61	-----	2.88 [73]	3.00 [76]	7.15 [182]	1.30 [33]	.25 [6]
YAB40-4N	800 kcmil (1.031)	37-61	400mm <sup>2</sup> 2 STR (26.1) [1.028]	2.94 [75]	3.00 [76]	7.20 [183]	1.35 [34]	.38 [10]
YAB41-4N	850 kcmil (1.062)	37-61	-----	2.94 [75]	3.00 [76]	7.20 [183]	1.38 [35]	.44 [11]
YAB44-4N	1000 kcmil (1.152)	37-61	-----	3.00 [76]	3.00 [76]	7.67 [195]	1.50 [38]	.50 [13]

REV.	DATE	DESCRIPTION	ECD	BY	C'K'D.
0	3/20/97	ADDED SHEET PER ECD	3032	PL	JLM

INSTALLATION TOOLING (# CRIMPS)

CATALOG NO.	COLOR CODE	DIE INFORMATION		HYDRAULIC				DIELESS (# CRIMPS)	WIRE STRIP LENGTH	
		DIE INDEX	TYPE	Y35, Y39 Y750, BAT35 BAT750	4 Y46	3 Y45	Y48B			Y60BHU
YAB39-4N	BLACK	24	BLACK DIE SET	U39RT(4)	U39RT(4) P39RT(4)	U39RT(4) S39RT(4)	C39R(2) C36AR(2)	L39RT(2) L36ART(2)	HYDRAULIC: Y644M(1) BAT644M(1)	2-15/16"
			NEST	-----	P39D(2)	-----	C39D(2)	-----		
			INDENTOR	-----	P44PR	-----	Y48PR	-----		
YAB40-4N	ORANGE	25	ORANGE DIE SET	-----	P40RT(4)	S40RT(4)	C40R(2)	L40RT(2)	HYDRAULIC: Y644M(1) BAT644M(1)	3"
			NEST	-----	P40D(2)	-----	C40R(2)	-----		
			INDENTOR	-----	P44PR	-----	Y48PR	-----		
YAB41-4N	GOLD	26	GOLD DIE SET	-----	-----	-----	-----	-----	HYDRAULIC: Y644M(1) BAT644M(1)	3"
			NEST	-----	P41D(2)	-----	C41D(2)	-----		
			INDENTOR	-----	P44PR	-----	Y48PR	-----		
YAB44-4N	WHITE	27	WHITE DIE SET	-----	P44RT(4)	S44RT(4)	C44R(2)	L44RT(2)	HYDRAULIC: Y644M(1) BAT644M(1)	3-1/16"
			NEST	-----	P44D(2)	-----	C44D(2)	-----		
			INDENTOR	-----	P44PR	-----	Y48PR	-----		



NOTES:

- MATERIAL: COPPER TUBE AND CAST COPPER TONGUE.
- FINISH: TIN PLATED.
- CATALOG # PT6515 ADAPTOR IS REQUIRED TO USE "U" DIES IN Y45 SERIES TOOLS.
- CATALOG # PUADP-1 ADAPTOR IS REQUIRED TO USE "U" DIES IN Y46 SERIES TOOLS.
- DIMENSIONS IN BRACKETS [ ] ARE IN MILLIMETERS ROUNDED OFF TO THE NEAREST MILLIMETER, UNLESS OTHERWISE NOTED, AND ARE FOR REFERENCE ONLY.
- "U" & "L" DIE SETS ARE COLOR CODED. "C" DIES ARE NOT COLOR CODED. NESTS AND INDENTOR TYPE ARE NOT COLOR CODED.
- CONSIDER YA-2N AND YA-4N PRODUCT LINE AS AN ALTERNATE CHOICE. SEE SD31189.
- FOR CATALOG NUMBERS THAT ARE OIL TIGHT SEALED ADD SUFFIX "DT" OR "DTS" TO CATALOG NUMBER.

TO ORDER BURNDY® PRODUCTS CALL		HYLUG™ CU, NEMA	
UNITED STATES: 1-800-346-4175 (LONDONDERRY, NH)		ITEM NO: N/A	
CANADA: 1-800-361-6975 (QUEBEC) 1-800-387-6487 (ALL OTHER PROVINCES)		CAT NO: YAB--4N	
FOR PRODUCT INFO: <a href="http://www.burndy.com">http://www.burndy.com</a>		SCALE: N/A	
		DRAWN BY: P LAPDNIUS 3/20/97	
		CHECKER: J MICHAUD 4/1/97	
		DSN APPVL: K WOOD 9/19/96	
		MFG APPVL: ---	
		QC APPVL: D VARIO 10/15/96	
		MKT APPVL: G SCHEVBLER 10/15/96	
		DRAWING NO	
		SD081315	
		REV	
		0	
		SHEET 6 OF 8	