

FIG - 1

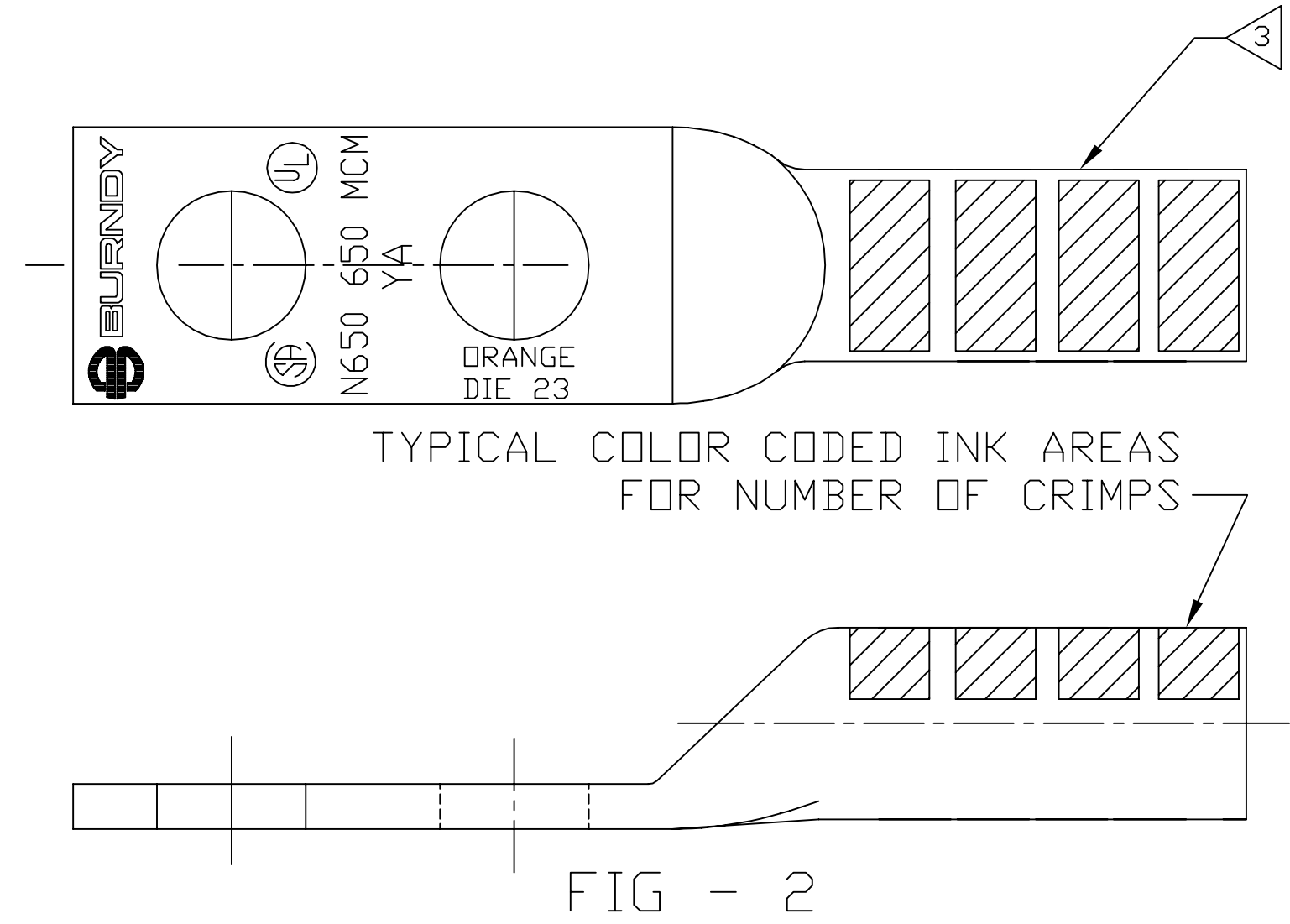


FIG - 2

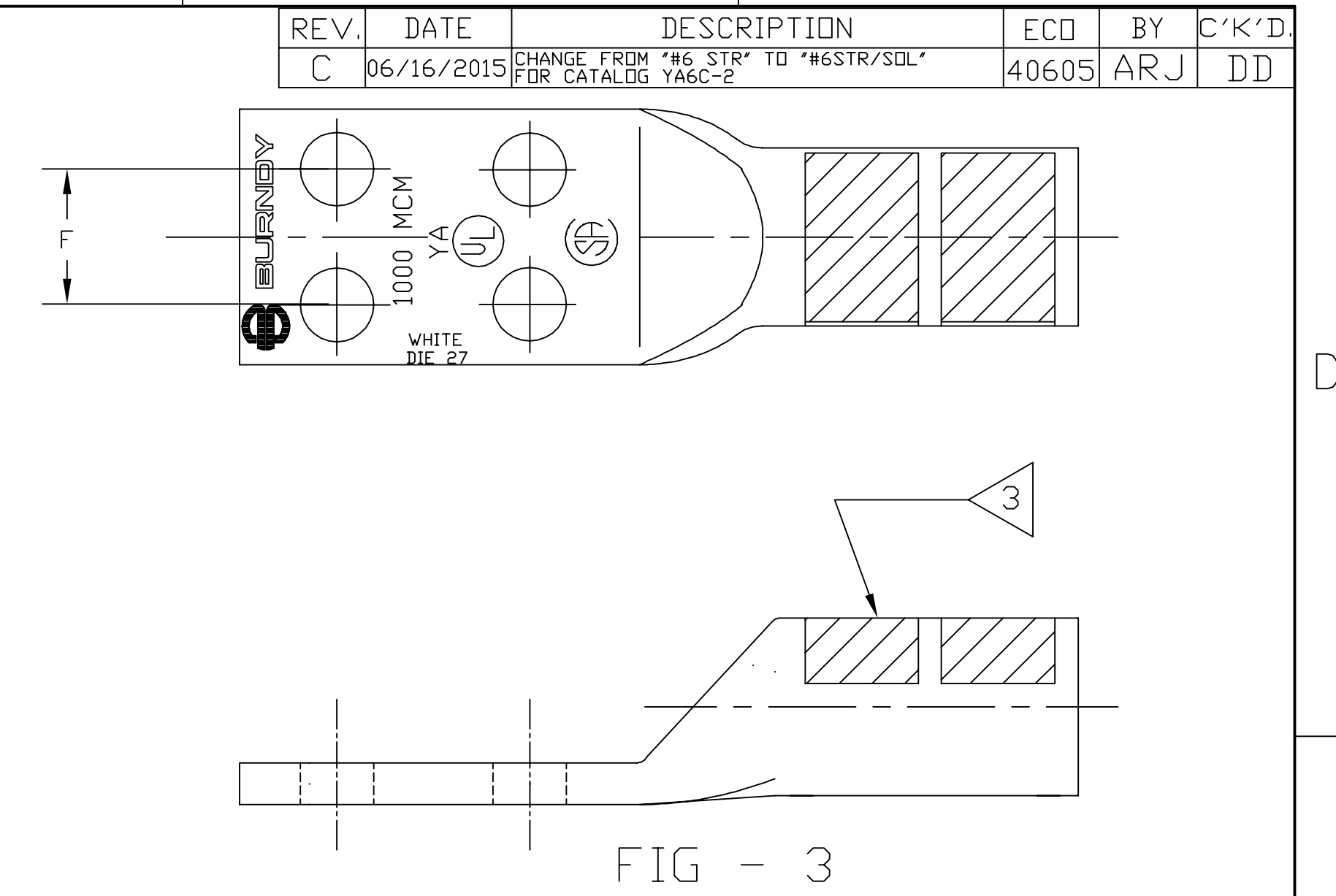


FIG - 3

CONDUCTOR		FIG NO.	CATALOG NO.	B	C	E&F	K	L	N	D.D.	T	Z MIN	COLOR CODE	WIRE STRIP LENGTH	NO OF CRIMPS
NAVY	COMMERCIAL														
	#6 STR/SOL	1	YA6C-2	1.12	.41	.62	.281	2.50	.25	.30	.09	.41	BLUE	1.18	2
30 (.202)	#5 STR		YA5C-2	1.12	.44	.62	.281	2.50	.25	.30	.08	.41	BLUE	1.18	2
40 (.226)	#4 STR		YA4C-2	1.12	.50	.62	.281	2.50	.25	.34	.09	.41	GRAY	1.18	2
50 (.254)	#3 STR		YA3C-2	1.25	.53	.75	.344	2.97	.34	.38	.09	.50	WHITE	1.31	2
60 (.282)	#2 STR		YA2C-2	1.25	.59	.75	.344	2.97	.34	.42	.11	.50	BROWN	1.31	2
75 (.317)	#1 STR		YA1C-2	1.38	.67	.88	.344	3.25	.34	.47	.10	.50	GREEN	1.44	2
100 (.363)	1/0 STR		YA25-2	1.38	.75	.88	.344	3.25	.34	.52	.12	.50	PINK	1.44	2
125 (.405)	2/0 STR		YA26-2	1.50	.81	.88	.344	3.41	.34	.56	.12	.50	BLACK	1.56	2
150 (.457)	3/0 STR		YA27-2	1.50	.91	1.00	.406	3.66	.38	.62	.12	.54	ORANGE	1.56	2
200 (.514)	4/0 STR		YA28-2	1.62	1.00	1.00	.406	3.78	.38	.69	.14	.54	PURPLE	1.69	2
250 (.577)	250 kcmil		YA29-2	1.62	1.09	1.06	.406	3.94	.38	.75	.16	.54	YELLOW	1.69	2
300 (.628)	300 kcmil		YA30-2	2.00	1.19	1.06	.406	4.31	.38	.81	.16	.54	WHITE	2.06	4
350 (.681)	350 kcmil		YA31-2	2.00	1.28	1.06	.406	4.48	.38	.88	.17	.54	RED	2.06	4
400 (.742)	400 kcmil		YA32-2	2.12	1.38	1.06	.406	4.75	.44	.95	.19	.60	BLUE	2.18	4
	450 kcmil		YA33-2	2.12	1.38	1.06	.406	4.75	.44	1.01	.19	.60	GRAY	2.18	4
	500 kcmil		YA34-2	2.25	1.52	1.06	.406	4.88	.44	1.06	.23	.60	BROWN	2.31	4
	550 kcmil		YA35-2	2.62	1.62	1.12	.438	5.34	.44	1.12	.25	.60	YELLOW	2.69	4
	600 kcmil		YA36-2	2.69	1.69	1.12	.438	5.44	.44	1.19	.27	.60	GREEN	2.75	4
650 (.936)	650 kcmil	2	YA37-2	2.81	1.78	1.12	.438	5.72	.50	1.23	.27	.66	ORANGE	2.88	2
	700 kcmil		YA38-2	2.81	1.81	1.12	.438	5.72	.50	1.25	.27	.66	PINK	2.88	2
	750 kcmil		YA39-2	2.88	1.91	1.12	.438	5.84	.50	1.30	.27	.66	BLACK	2.94	4
	800 kcmil		YA40-2	2.94	1.95	1.12	.438	5.91	.50	1.36	.30	.66	ORANGE	3.00	2
800 (1.051)	850 kcmil		YA41-2	2.94	2.00	1.12	.438	5.94	.50	1.38	.30	.66	GOLD	3.00	2
	1000 kcmil		YA44-2	3.00	2.17	1.25	.562	6.31	.56	1.50	.33	.72	WHITE	3.06	2
	1250 kcmil		YA45-2	3.19	2.43	1.38	.562	6.84	.56	1.69	.38	.72	YELLOW	3.25	3
1300 (1.325)	1300 kcmil		YA453-2	3.19	2.47	1.38	.562	6.97	.56	1.74	.39	.72	ORANGE	3.25	3
	1500 kcmil		YA46-2	3.19	2.69	1.38	.562	7.03	.56	1.84	.41	.72	GREEN	3.25	3
	1750 kcmil		YA47-2	3.44	2.88	1.50	.562	7.72	.56	1.98	.42	.72	GRAY	3.50	3
	2000 kcmil		YA48-2	3.44	3.09	1.50	.562	7.81	.56	2.12	.47	.72	BROWN	3.50	3
	1000 kcmil		3	YA44-4	3.00	2.17	1.12	.438	6.06	.50	1.50	.33	.66	WHITE	3.06
	1250 kcmil	YA45-4		3.19	2.43	1.38	.562	6.84	.56	1.69	.38	.72	YELLOW	3.25	3
1300 (1.325)	1300 kcmil	YA453-4		3.19	2.51	1.38	.562	6.97	.56	1.74	.39	.72	ORANGE	3.25	3
	1500 kcmil	YA46-4		3.19	2.69	1.38	.562	7.06	.56	1.84	.41	.72	GREEN	3.25	3
	1750 kcmil	YA47-4		3.44	2.88	1.50	.562	7.72	.56	1.98	.42	.72	GRAY	3.50	3
	2000 kcmil	YA48-4		3.44	3.09	1.50	.562	7.81	.56	2.12	.50	.72	BROWN	3.50	3

NOTES:

- 1) REMOVED PER PCN 416
- 2) FOR EACH SIZE SHOWN USE CRIMP TOOLS SHOWN ON SD79849 FOR THAT SIZE.
- 3) SIZE 37 AND LARGER ARE INK STAMPED 150° AROUND BARREL CIRCUMFERENCE, CENTERED AT THE TOP OF THE BARREL, AS SHOWN IN FIGS 2 & 3
- 4) DO NOT USE PAT644 OR Y644 TOOLING WITH 6 AWG SOL.

MATERIAL:
COPPER,
FINISH
TIN PLATED

REFERENCE
SD 79849,
FD 15627

TO ORDER BURNDY® PRODUCTS CALL UNITED STATES: 1-800-346-4175 (LONDONDERRY, NH) CANADA: 1-800-361-6975 (QUEBEC) 1-800-387-6487 (ALL OTHER PROVINCES) FOR PRODUCT INFO: http://www.burndy.com		HYLUG™ COPPER	
		ITEM NO: N/A	CAT NO: YA-2, YA-4 (TABLE)
SCALE: 1:1 DRAWN BY: C.RACAND 11-22-77 CHECKER: CAR 11-22-77 DSN APPVL: J.BACK 12/5/77 MFG APPVL: -- QC APPVL: -- MKT APPVL: --			
PROD FAM: -- PROJECT #: -- DOCUMENT TYPE: AutoCAD REL LEVEL: --		DRAWING NO SD17179 SHEET 1 OF 1	REV C