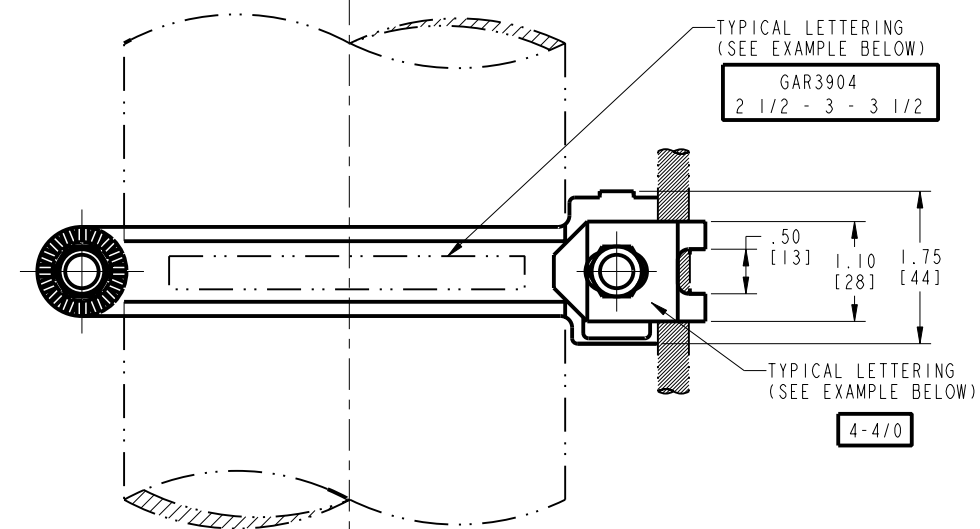
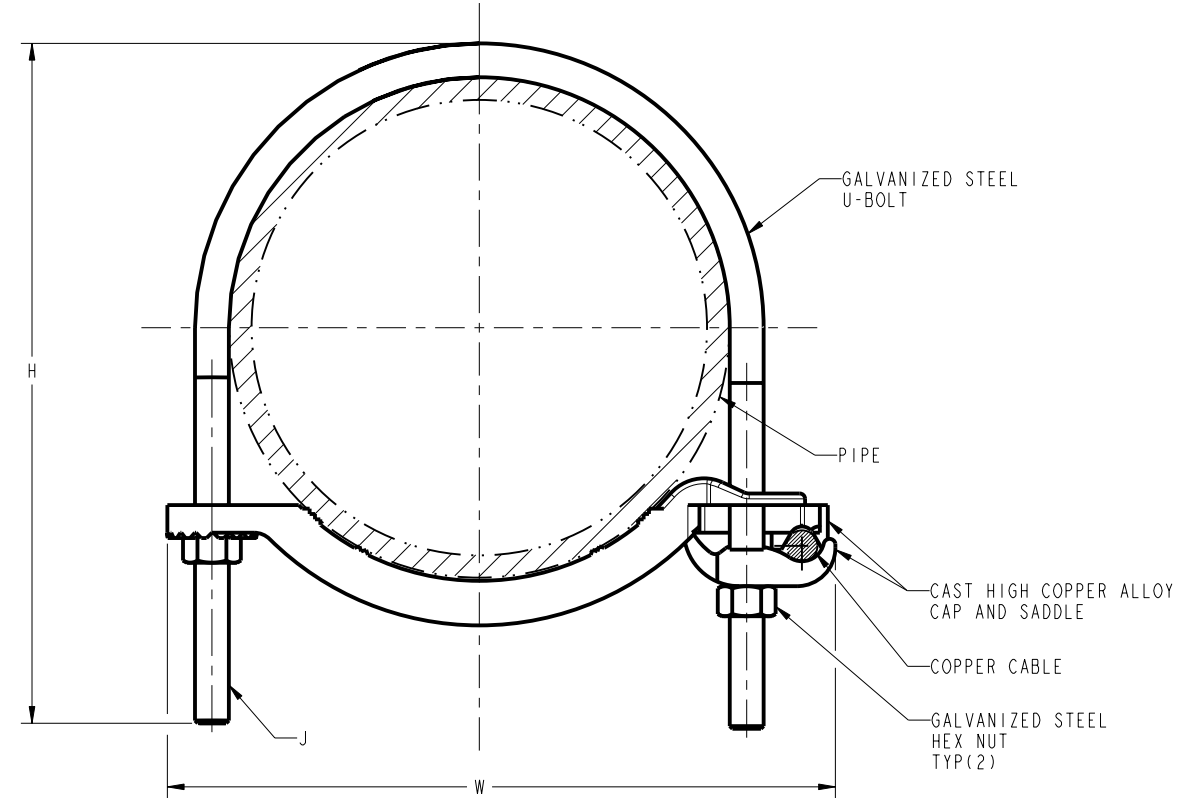


DRAWING NO.  
SD206499-01

CATALOG NUMBER	I.P.S. PIPE ACCOMMODATED		COPPER CABLE ACCOMMODATED		H	J	W	RECOMMENDED TIGHTENING TORQUE	
	NOMINAL O.D.	ACTUAL O.D.		AWG					METRIC WIRE SIZE
		(in)	[mm]						
GAR3902	1/2"-1"	.840-1.32	[22-33]	4 STR(.232) - 4/0 STR(.528)	3/8"-16"	25mm <sup>2</sup> STR[6.6]- 95mm <sup>2</sup> STR[12.9]	200 Lb*in [22.5 N*m]	3.50 [89]	
GAR3903	1-1/4"-2"	1.66-2.38	[43-60]					4.00 [102]	
GAR3904	2-1/2"-3-1/2"	2.88-4.00	[74-101]					6.00 [152]	
GAR3905	4"-5"	4.50-5.56	[115-141]					7.50 [191]	
GAR3906	6"	6.62	[168]					8.50 [216]	
GAR3907	8"	8.62	[218]					10.00 [254]	
GAR3908	10"	10.75	[273]					12.00 [305]	
GAR3909	12"	12.75	[323]					14.00 [356]	

REV	DATE	DESCRIPTION	ECO	BY	CHK
C	2019-04-29 00:00:00 EDT	DIRECT SERIAL NUMBER FROM MFG ?	51335	PB	RG



- NOTES:
1. MATERIAL: AS NOTED.
  2. UL467 LISTED, FILE NO. E9999.
  3. CSA C22.2 NO. 65 LISTED, FILE NO. 42862.
  4. DIMENSIONS IN BRACKETS [ ] ARE IN MILLIMETERS ROUNDED OFF TO THE NEAREST MILLIMETER, UNLESS OTHERWISE NOTED AND ARE FOR REFERENCE ONLY.
  5. ADD SUFFIX "TN" TO THESE CATALOG NUMBERS FOR TIN-PLATED VERSIONS.

TO ORDER BURNDY® PRODUCTS CALL		GAR ASSEMBLY	
UNITED STATES 1-800-346-4175 (LONDONDERRY, NH)		ITEM NO: --	CAT. NO: GAR390- (TABLE)
CANADA: 1-800-361-6975 (QUEBEC) 1-800-387-6487 (ALL OTHER PROVINCES)		DRAWN BY: MP 11/20/90	CHECKER: ATM 11/20/90
FOR PRODUCT INFO: <a href="http://www.burndy.com">http://www.burndy.com</a>		DSN APPVL: KW 11/20/90	MFG APPVL: --
		QA APPVL: AL 11/20/90	MKT APPVL: --
		PROJ #: --	SCALE: 1:1
		DOCUMENT TYPE: Sales	SIZE: D
		REL LEVEL: Released	DRAWING NO: SD206499-01
			SHEET 1 OF 1

REV: PE0200