

*** TABLE ***

CATALOG NO.	FIG.	C	D	E	K	K1	N	N1	L	T
BD24G188	1	.94	2.50	--	.31	--	.50	--	24.00	.12
BD34G188	1	.94	2.50	--	.31	--	.50	--	34.00	.12
BD12D38G189	2	.94	1.50	.75	.31	.25	.75	.38	12.00	.12

REV.	DATE	DESCRIPTION	BY	C'K'D.
.	.	:	.	.

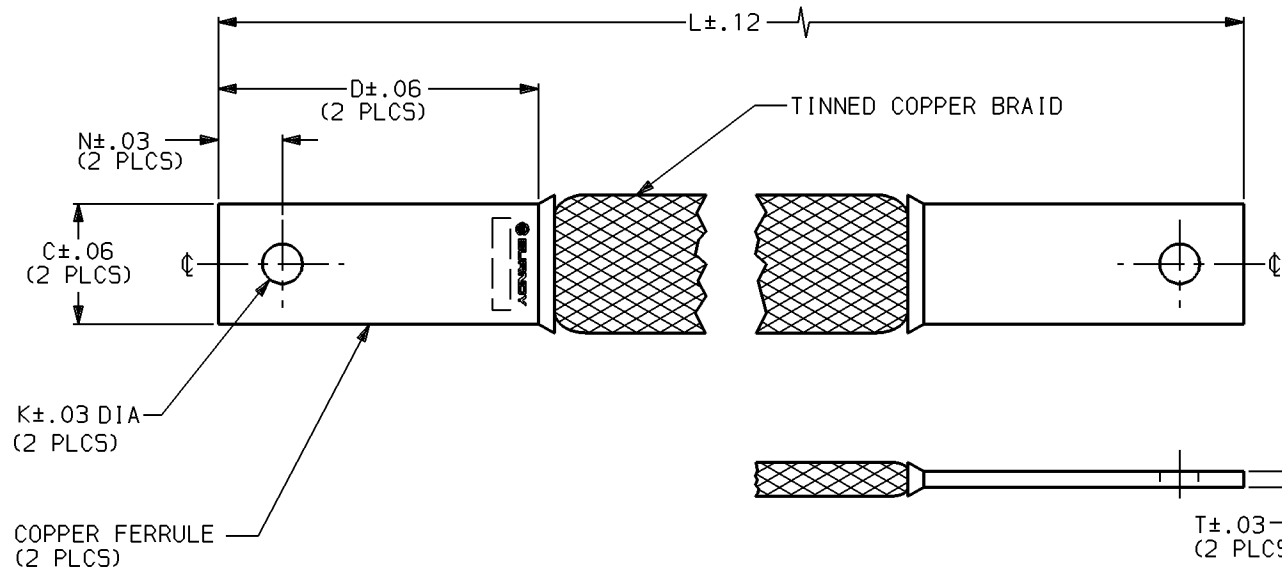


FIG 1

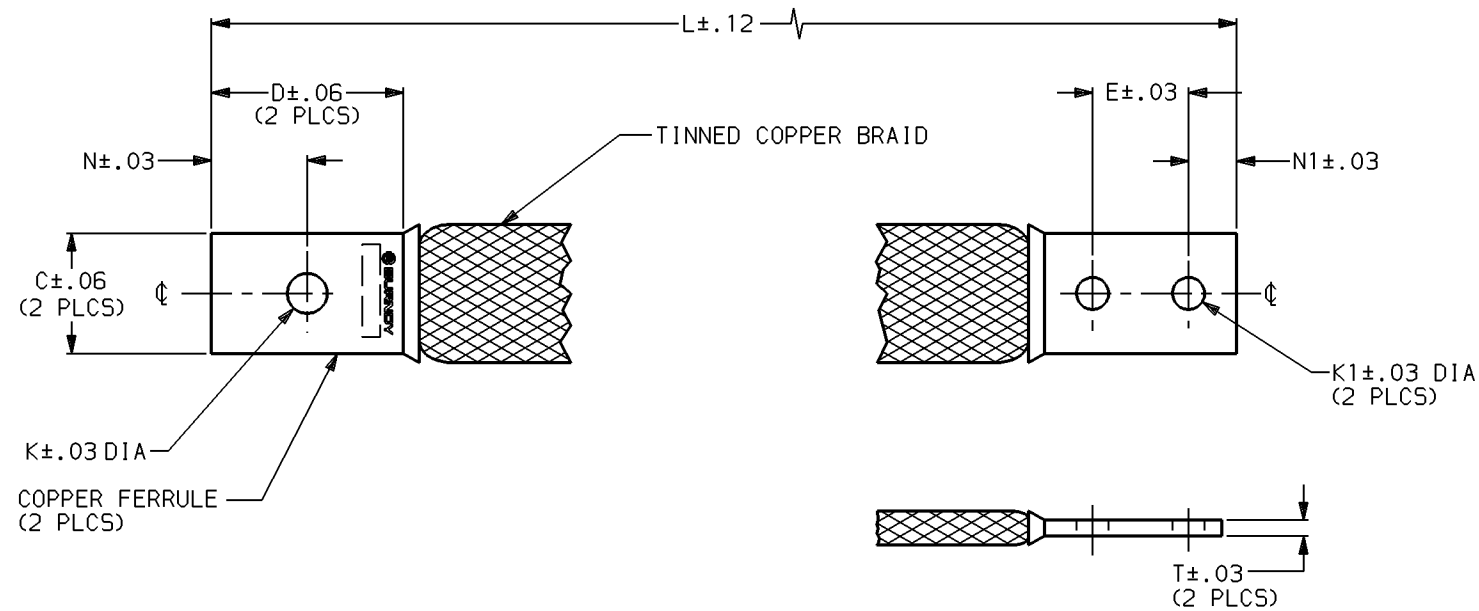


FIG 2

BRAID FLEXIBLE	
CAT NO: (SEE TABLE)	SCALE: FULL SIZE
DRAWN: DON FILLION 02-09-93	CHECKED: G ZAHLMAN 02-09-93
DSGN APPVL: G ZAHMLAN 02-25-93	MFG APPVL: N/A
Q.A. APPVL: A LLOYD 03-01-93	MKTG APPVL: D HAMILTON 02-26-93
CAD FILE: SD208278-SHT01	PM REF: N/A
	MDL REF: N/A
BURNDY an FCI Company	
PROJECT: DO 52553	
DRAWING NO.	REV
SD208278	0
SHEET 1 OF 1	
U.S. ELECTRICAL DIVISION MANCHESTER, NH 03108	

REV: 111991