

REV	DATE	DESCRIPTION	ECO	BY	C.H.K.
A	2021-03-24 17:00:00 EDT	REDRAW IN PROE	210302005623	JL	RR

CAT. NO.	FIG. NO.	DIMENSIONS (INCHES)				ACCOMMODATIONS	NOMINAL WALL THICKNESS
		H	W	WI	REF. L		
CFBGFR	3	1.16	1.24	--	1.75	FOR 'H' COPPER CRIMPIT CONNECTORS, ONLY 3/4 IN. LONG INSTALLED. USE WITH: YH8C8C, YH6C6C	.08
CFOFR	2	1.90	1.49	1.16	3.39	FOR 'H' AND 'C' COPPER CRIMPIT CONNECTORS, 1 IN. LONG INSTALLED. USE WITH: YH2C2C, YHC2TC2.	.08
CFDFR	2	2.02	1.59	1.26	3.39	FOR 'H' AND 'C' COPPER CRIMPIT CONNECTORS, 1-1/8 IN. LONG INSTALLED. USE WITH: YH2929, -292C, -298C, YHC29TC29, -29TC2.	.08
CFNFR	2	2.55	1.98	1.66	3.87	FOR 'H' AND 'C' COPPER CRIMPIT CONNECTORS, 1-1/4 IN. LONG INSTALLED. USE WITH: YH3434, -3429, YHC34TC34, -34TC29, -34TC2.	.08
CFRFR	1	3.58	2.60	2.13	5.70	FOR 'H' AND 'C' COPPER CRIMPIT CONNECTORS, 1-1/2 IN. LONG INSTALLED. USE WITH: YH4444, -4429, -3939, -3931, YHC44TC44, -39TC39, -39TC31, -39TC2.	.11

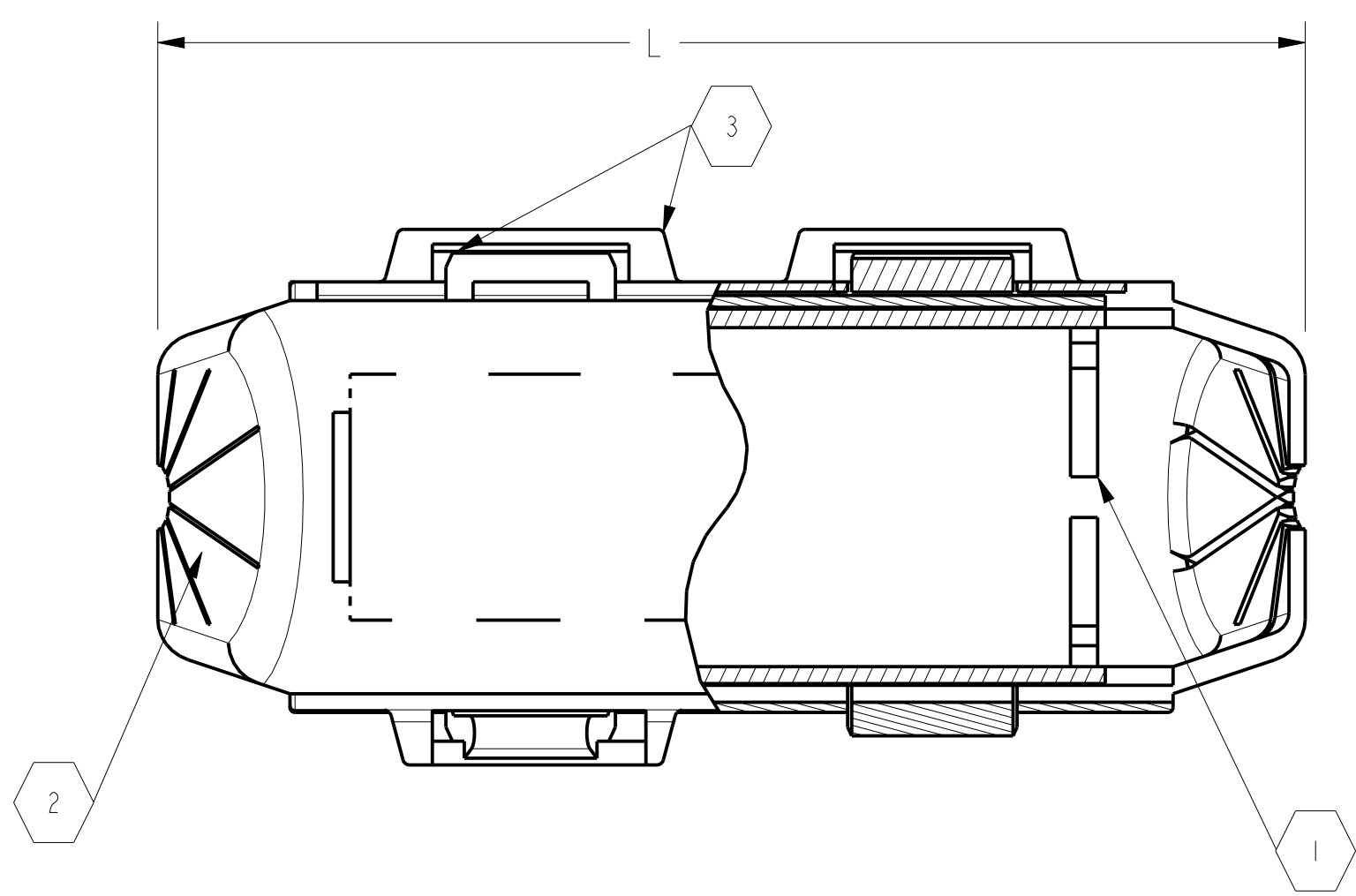
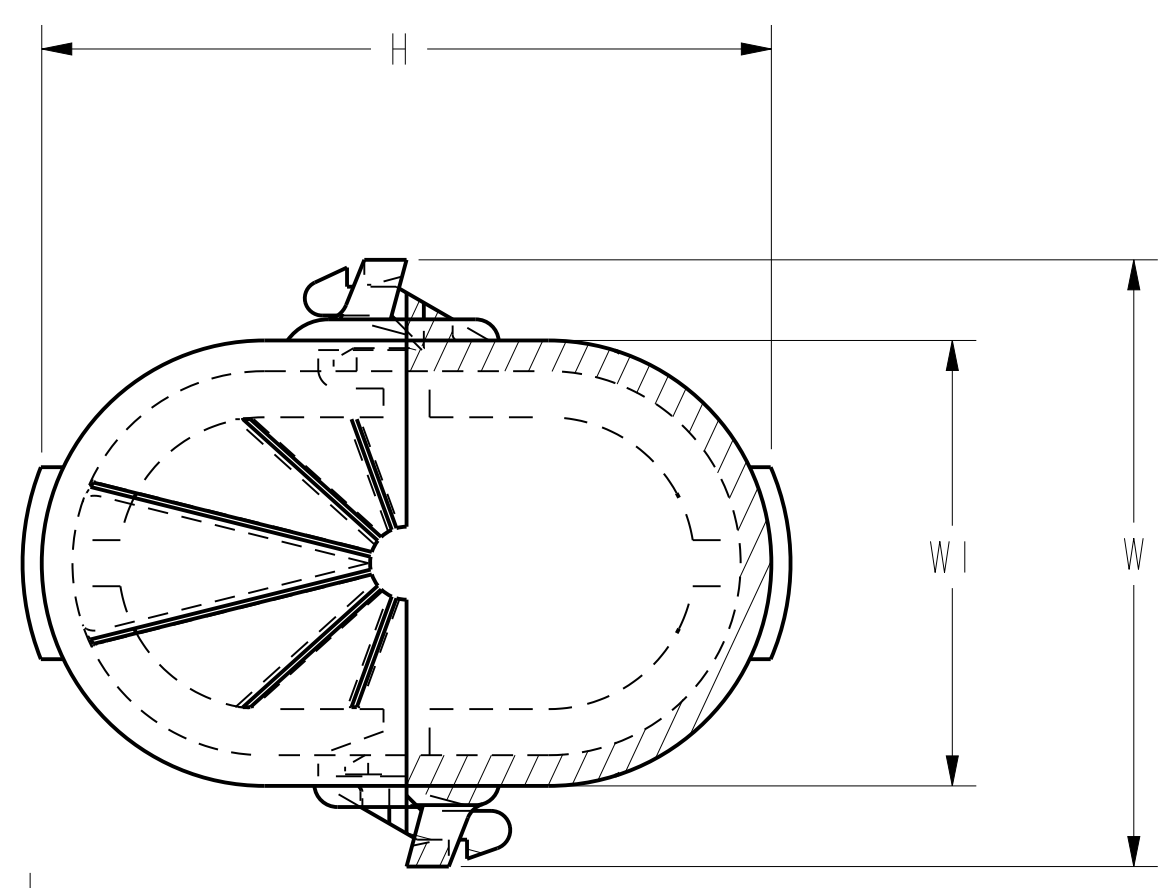


FIGURE 1  
(COVER SHOWN IN LATCHED POSITION)



C

C

FEATURES:

- 1 CONNECTOR END STOPS
- 2 FLEXIBLE FINGERS
- 3 SNAP TIGHT LATCHES
- 4 HINGED ONE-PIECE CONSTRUCTION
- 5. ALL COVERS ARE UL AND CSA LISTED.

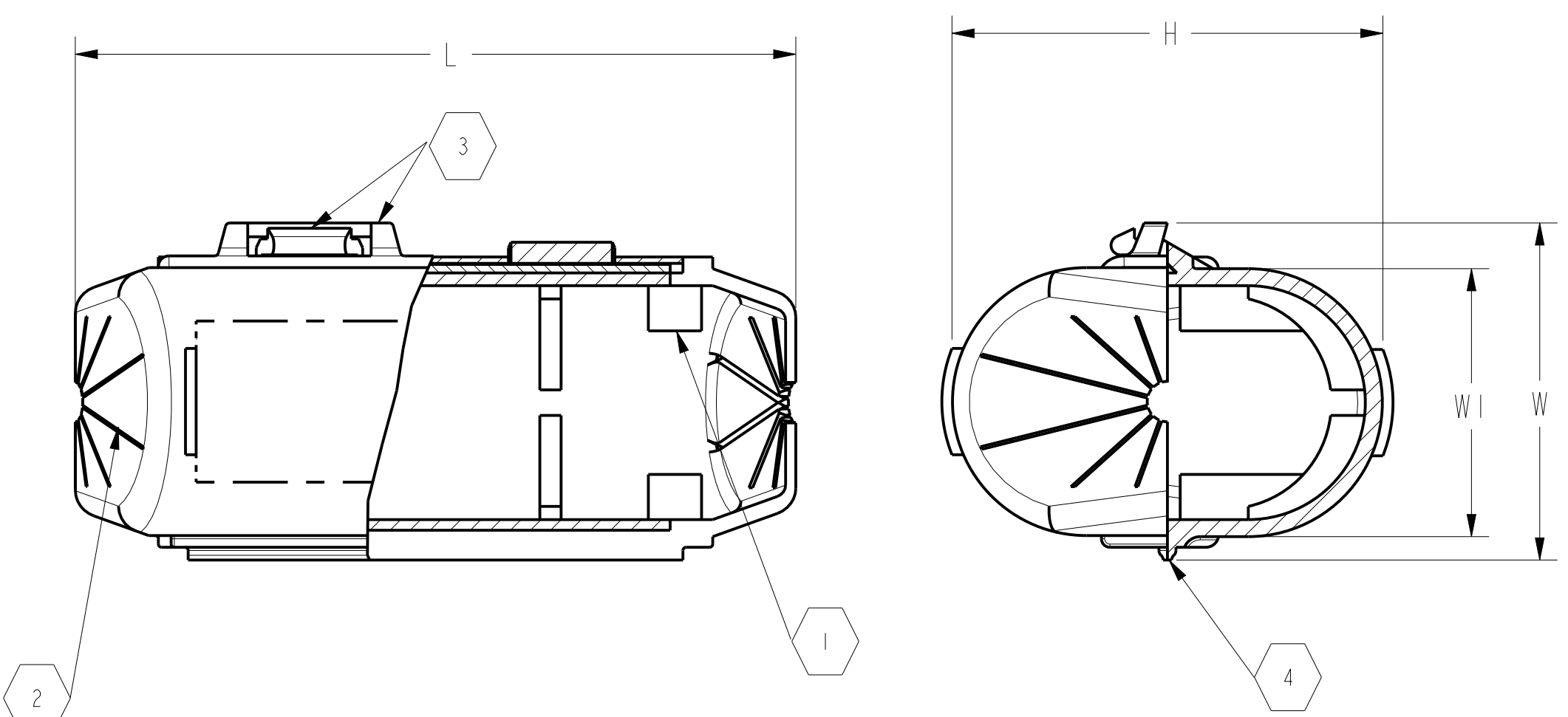


FIGURE 2  
(COVER SHOWN IN LATCHED POSITION)

B

B

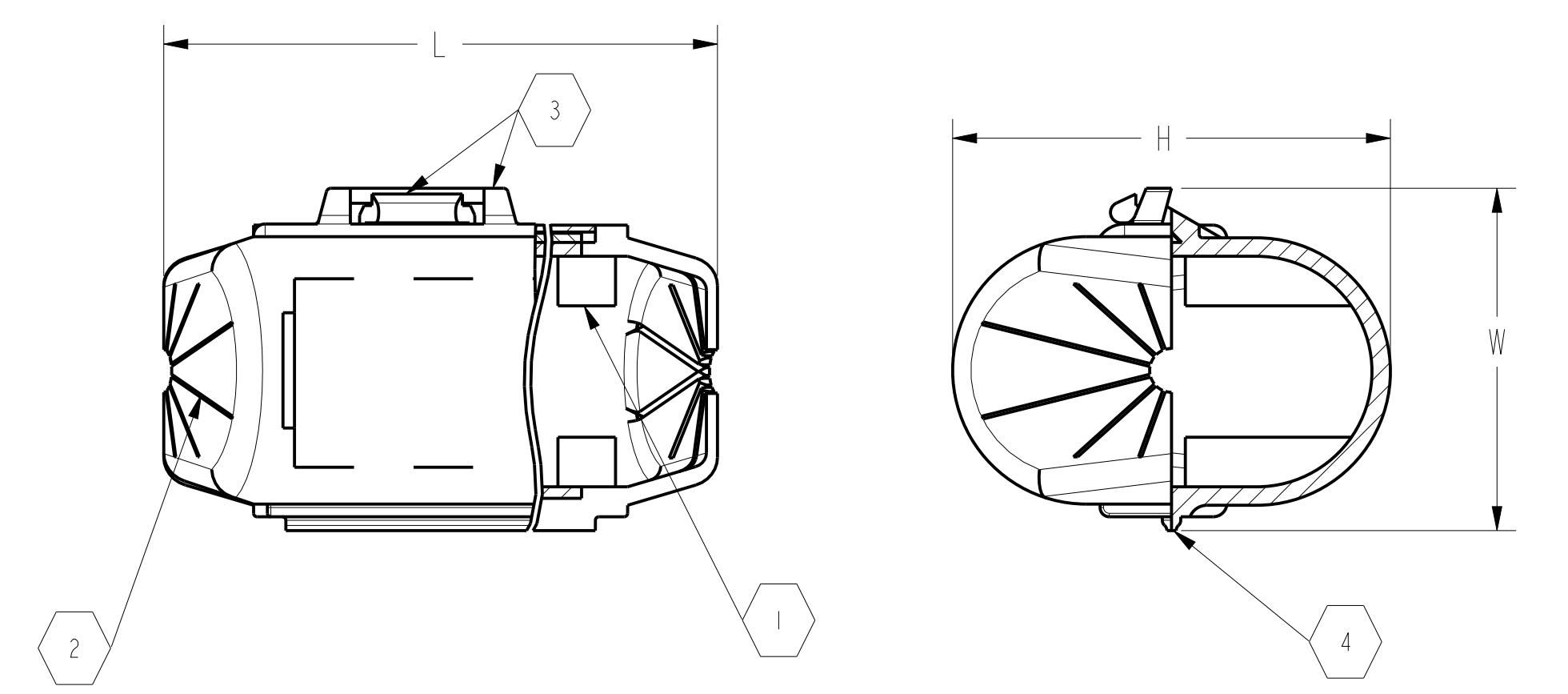


FIGURE 3  
(COVER SHOWN IN LATCHED POSITION)

NOTES:

- 1 BARE CONDUCTOR MUST NOT EXCEED .125 BEYOND ENDS OF CRIMPED CONNECTOR.
- 2 FIGURE 1 INCLUDES TWO COVER HALVES FOR A COMPLETE ASSEMBLY.
- 3. MATERIAL SPECIFICATION:  
CF -FR SERIES = FLAME RETARDANT HIGH DENSITY POLYPROPYLENE.

- 4. FUNCTIONAL SPECIFICATIONS:  
MAXIMUM VOLTAGE = 600 VOLTS  
MAXIMUM OPERATING TEMP = 90°C  
FLAME RETARDANT, CF -FR  
MIN. 28 OXYGEN INDEX  
MATERIAL IS UL94 V-O RATED

5 SEE ALSO SD206566, SD206624

A

A

TO ORDER BURNDY® PRODUCTS CALL		CF-COVERS	
UNITED STATES 1-800-346-4175 (LONDONDERRY, NH)		ITEM NO: --	SCALE: 1:1
CANADA: 1-800-361-6975 (QUEBEC) 1-800-387-6487 (ALL OTHER PROVINCES)		CAT. NO: CF- (SEE TABLE)	<b>BURNDY</b>
FOR PRODUCT INFO: <a href="http://www.burndy.com">http://www.burndy.com</a>		DRAWN BY: R PERREAULT 11/10/93	
		CHECKER: K HENRY 11/11/93	PROJECT #: -
		DSN APPVL: G SCHRADER 11/12/93	SIZE D
		MFG APPVL: -	SD208803-01
		QA APPVL: A LLOYD 11/17/93	SHEET 1 OF 1
		MKT APPVL: G GORDON 11/15/93	REV A
		PROD FAM: -	