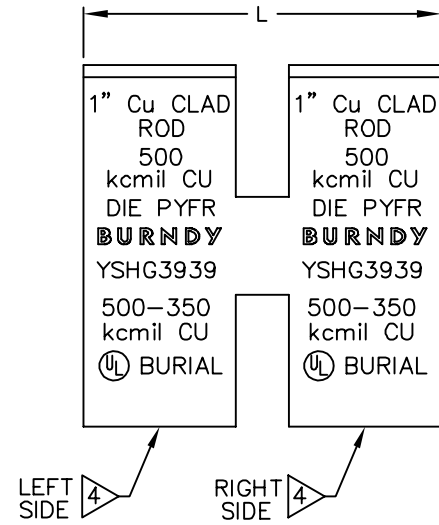


DRAWING NO.
SD210382-01

CATALOG NUMBER	FIG. NO.	CONDUCTOR SIZES			TOOLING (* # OF CRIMPS)				INDEX EMBOSSMENT	W ±.06	T ±.04	L ±.06	
		MAIN	TAP 1	TAP 2	TAP 3	Y750	*	Y46					*
YSHG4429	3	#9 AND #8 REBAR, 1" [25] GROUND ROD	250-2 [120-35]	----	----	----	--	PYFR	2	K-R	3.22 [82]	1.70 [43]	2.44 [62]
YSHG3939	1	3/4" [19] - 1" [25] Cu CLAD GROUND ROD, #8 [25M] REBAR 750-500 kcmil COPPER [380 - 240mm ² COPPER]	750-350 [380-185]	----	----	----	--	PYFR	2	K-R	2.97 [75]	1.50 [38]	2.94 [75]
YSHG3931	2	#6 AND #7 REBAR, 1" [25] Cu CLAD GROUND ROD, 3/4" GROUND ROD 500-250 kcmil COPPER [240 - 180mm ² COPPER]	4/0-1/0 [95-70]	1-6 [35-16]	2-14 [6-2.5]	----	--	PYFR	2	K-R	2.97 [75]	1.50 [38]	2.34 [59]
YSHG3434	1	#6 REBAR, 3/4" [19] GROUND ROD 400-250 kcmil COPPER [185 - 150mm ² COPPER]	400-4/0 [300-120]	----	----	U1104	4	P1104 U1104	2 4	1104	2.43 [62]	1.15 [29]	2.44 [62]
YSHG3429	2	#6 REBAR, 3/4" [19] GROUND ROD 400-4/0 kcmil COPPER [185-120mm ² COPPER]	3/0-1/0 [70]	1-4 [35-25]	8-14 [6-2.5]	U1104	4	P1104 U1104	2 4	1104	2.23 [57]	1.31 [33]	2.44 [62]

REV.	DATE	DESCRIPTION	ECO	BY	C'K'D.
C	08/22/23	YSHG3939 DETAILS UPDATED	230821032777	PB	RG



TYPICAL SIDE VIEW

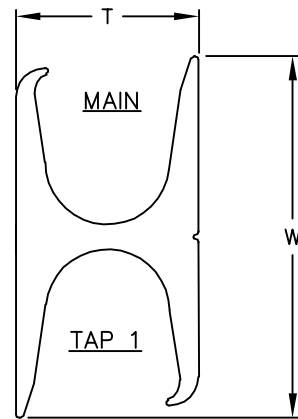


FIGURE 1

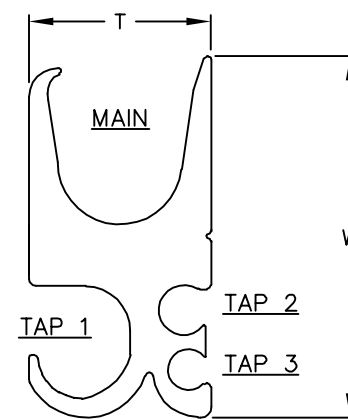


FIGURE 2

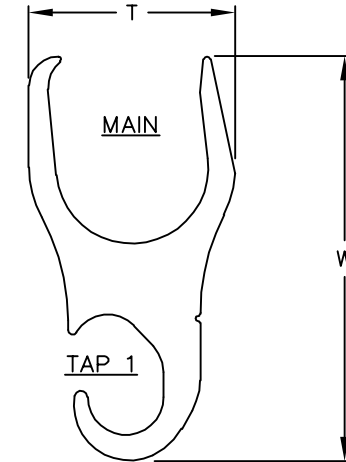


FIGURE 3

NOTES:

- MATERIAL: COPPER.
- DIMENSIONS IN BRACKETS [] ARE IN MILLIMETERS ROUNDED OFF TO THE NEAREST MILLIMETER, UNLESS OTHERWISE NOTED, AND ARE FOR REFERENCE ONLY.
- THE MINIMUM CONDUCTOR REQUIREMENT IS A MAIN CONDUCTOR AND ANY SINGLE TAP OR COMBINATION OF TAP CONDUCTORS, AND EACH CONDUCTOR MUST EXTEND TO THE FULL LENGTH "L" OF THE CONNECTOR.
- Y46 WITH "P" DIES REQUIRES ONE CRIMP PER CONNECTOR SIDE AND WILL RESULT IN A SMOOTH UNIFORM CRIMP SURFACE.
- THIS CONNECTOR IS NOT INTENDED FOR USE ON 1" STEEL GROUND RODS.
- GROOVES ARE PREFILLED WITH PENETROX "E2" AND THE CONNECTORS ARE INDIVIDUALLY SEALED.
- UL LISTED TO UL467 STANDARD FOR SAFETY: GROUNDING AND BONDING EQUIPMENT.
- YSHG3939 UL 467 LISTED FOR 1" CU CLAD GROUND ROD AND 500 KCMIL MAIN CONDUCTORS WITH 300 TO 500 KCMIL TAP CONDUCTORS. UL 467 LISTING FOR ADDITIONAL COMBINATIONS PENDING.
- TIN PLATING IS AVAILABLE BY ADDING A "TN" SUFFIX TO THE CATALOG NUMBER: (ex. YSHG4429TN).

TO ORDER BURNDY® PRODUCTS CALL
 UNITED STATES:
 1-800-346-4175 (LONDONDERRY, NH)
 CANADA:
 1-800-387-6487
 FOR PRODUCT INFO: <http://www.burndy.com>

HYGROUND™ REBAR/ROD/CABLE H-TAP	
ITEM NO: ---	
CAT NO: YSHG--- (TABLE)	
SCALE: N/A	
DRAWN BY: D. DOBRINSKI 03/29/96	
CHECKER: M. LAROCHELLE 10/25/96	
DSN APPVL: R. CHADBOURNE 10/23/95	
MFG APPVL: ---	
QC APPVL: D. VARIO 10/25/96	
MKT APPVL: G. SCHWEBLER 10/23/96	
PROD FAM: ---	
PROJECT #: ---	SIZE
DOCUMENT TYPE: ---	C
REL LEVEL: RELEASED	

HUBBELL
BURNDY
 DRAWING NO. SD210382-01
 REV. C
 SHEET 1 OF 1