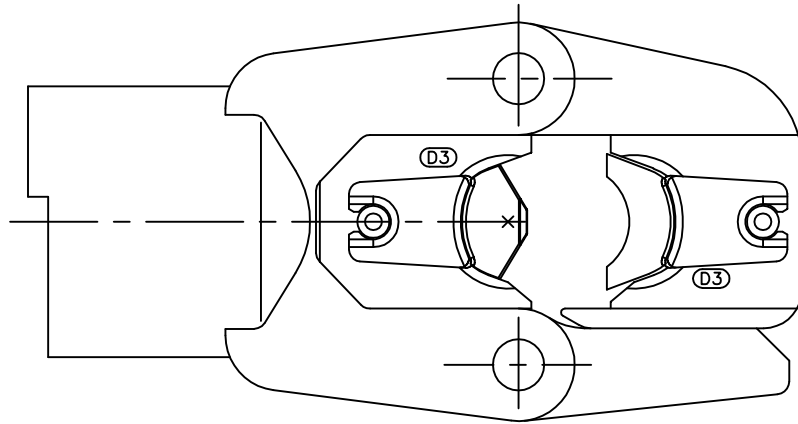
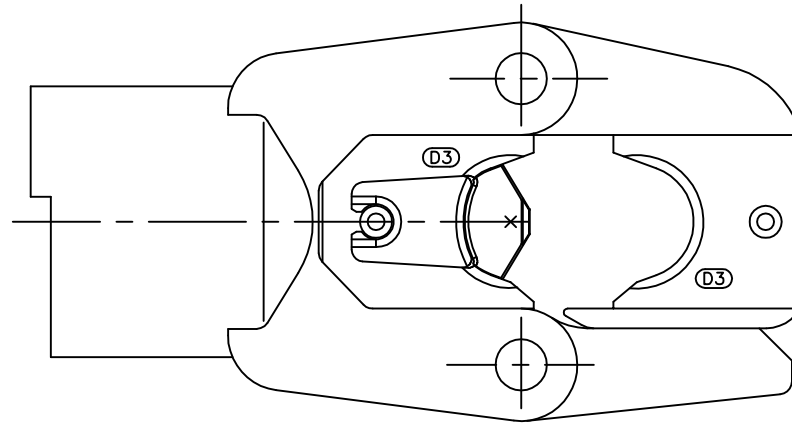


REV.	DATE	DESCRIPTION	ECO	BY	C'K'D.
B	05/30/13	ADD NUMBER OF CRIMPS TO DRAWING	31833	PM	MB

NEST + INDENTOR SETUP



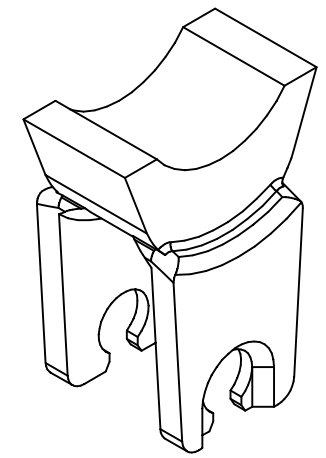
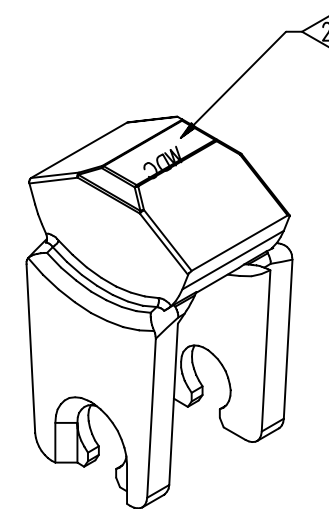
INDENTOR + D3 GROOVE SETUP



WDC4500 NEST + INDENTOR			
CONNECTOR FAMILY	CONDUCTOR	SMALLEST SIZE	LARGEST SIZE
YA, YS	Cu Str	#4 AWG	300 Kcmil
YAV, YSV	Cu Str/Cu Flex	#2 AWG	#4/0 AWG
	AL		NONE

WDC4500 INDENTOR + D3 GROOVE			
CONNECTOR FAMILY	CONDUCTOR	SMALLEST SIZE	LARGEST SIZE
YA, YS	Cu Str	350 Kcmil	500 Kcmil
YAV, YSV	Cu Str/Cu Flex		NONE
	AL		NONE

OVERALL RANGE			
CONNECTOR FAMILY	CONDUCTOR	SMALLEST SIZE	LARGEST SIZE
YA, YS	Cu Str	#4 AWG	500 Kcmil
YAV, YSV	Cu Str/Cu Flex	#2 AWG	#4/0 AWG
	AL		NONE



INDENTOR

NEST

NOTES:

- FOR USE WITH THE BURNDY BCT500, Y500CT, Y500CT-HS AND PAT60018V ONLY.
(NOT FOR USE WITH MD6-, MD7-, OUR840, Y500BH OR BAT500 SERIES)
- DIE LEAVES AN IDENTIFICATION EMBOSSEMENT ON THE CRIMPED CONNECTOR.
- Cu CONDUCTOR CLASS I OR DIESEL LOCOMOTIVE STRANDING.
- WDC4500 NOT FOR USE WITH SOLID CONDUCTORS.
- THE WDC4500 MAKES A UL LISTED CONNECTION WITH ONE CRIMP ON YS, YA, YSV AND YAV TYPE CONNECTORS WHEN CRIMPED TO THE APPROPRIATE SIZE CONDUCTOR.
- THE WDC4500 MAKES A CSA CERTIFIED CONNECTION WITH ONE CRIMP ON YS AND YA TYPE CONNECTORS WHEN CRIMPED TO THE APPROPRIATE SIZE CONDUCTOR.

TO ORDER BURNDY® PRODUCTS CALL UNITED STATES: 1-800-346-4175 (LONDONDERRY, NH) CANADA: 1-800-361-6975 (QUEBEC) 1-800-387-6487 (ALL OTHER PROVINCES) FOR PRODUCT INFO: http://www.burndy.com	DIELESS ADAPTER	
	ITEM NO: --- CAT NO: WDC4500 SCALE: 1/1 DRAWN BY: A. MONTMINY 05/06/97 CHECKER: --- DSN APPVL: M. RZASA 05/08/97 MFG APPVL: --- QC APPVL: D. VARIO 05/12/97 MKT APPVL: --- 05/12/97 PROD FAM: --- PROJECT #: --- REL LEVEL: AutoCAD	BURNDY DRAWING NO: SD211030-01 REV: B SHEET 1 of 1