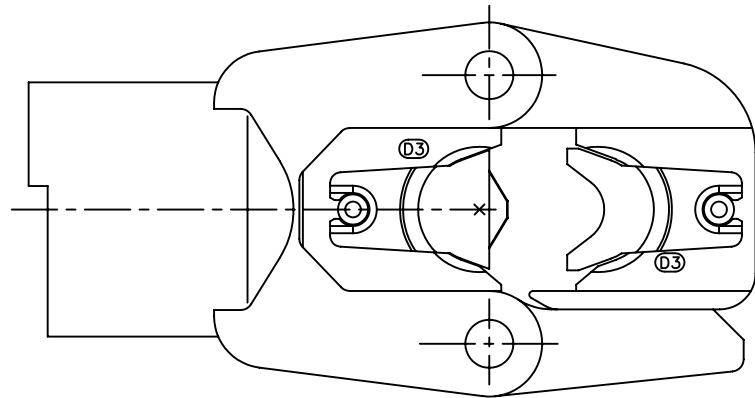
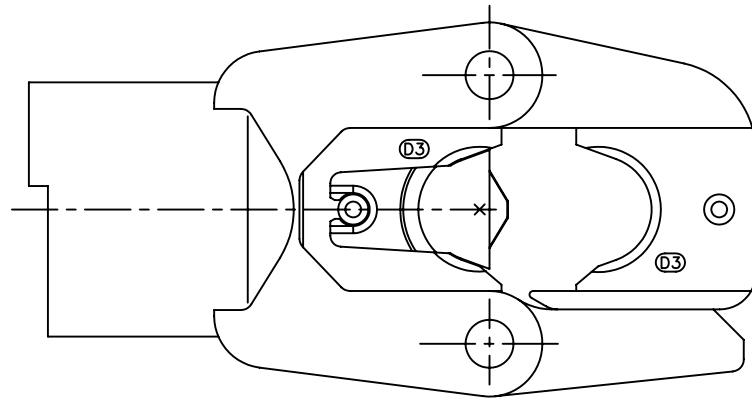


REV.	DATE	DESCRIPTION	ECO	BY	C'K'D.
A	06/29/11	UPDATE NOTE 1 PER M/U.	24695	RB	MC

NEST + INDENTOR SETUP



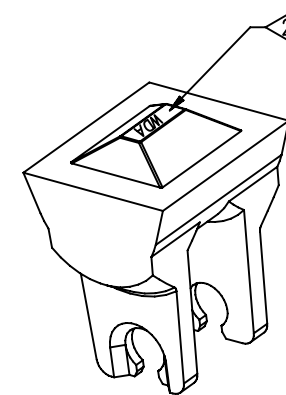
INDENTOR + D3 GROOVE SETUP



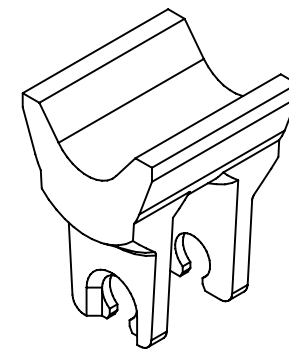
WDA8300 NEST + INDENTOR			
CONNECTOR FAMILY	CONDUCTOR	SMALLEST SIZE	LARGEST SIZE
YA, YS	Cu Str	#6 AWG	250 Kcmil
YAV, YSV	Cu Str/Cu Flex	#2 AWG	#4/0 AWG
YA-A, YS-A	AL	#8	#2/0 AWG

WDA8300 INDENTOR + D3 GROOVE			
CONNECTOR FAMILY	CONDUCTOR	SMALLEST SIZE	LARGEST SIZE
YA, YS	Cu Str	300 Kcmil	400 Kcmil
YAV, YSV	Cu Str/Cu Flex	NONE	
YA-A, YS-A	AL	#3/0 AWG	300 Kcmil

OVERALL RANGE			
CONNECTOR FAMILY	CONDUCTOR	SMALLEST SIZE	LARGEST SIZE
YA, YS	Cu Str	#6 AWG	400 Kcmil
YAV, YSV	Cu Str/Cu Flex	#2 AWG	#4/0 AWG
YA-A, YS-A	AL	#8	300 Kcmil



INDENTOR



NEST

NOTES:

- FOR USE WITH THE BURNDY BCT500, Y500CT, Y500CT-HS AND PAT60018V ONLY.
(NOT FOR USE WITH MD6-, MD7- OR OUR840 SERIES)
- DIE LEAVES AN IDENTIFICATION EMBOSSEMENT ON THE CRIMPED CONNECTOR.
- Cu CONDUCTOR CLASS I OR DIESEL LOCOMOTIVE STRANDING.
- DIE NOT FOR USE WITH SOLID CONDUCTORS.
- THE WDA8300 MAKES A UL LISTED CONNECTION ON YS, YA, YSV, YAV, YS-A AND YA-A TYPE CONNECTORS WHEN CRIMPED TO THE APPROPRIATE SIZE CONDUCTOR.
- THE WDA8300 MAKES A CSA CERTIFIED CONNECTION ON YS, YA, YS-A AND YA-A TYPE CONNECTORS WHEN CRIMPED TO THE APPROPRIATE SIZE CONDUCTOR.

TO ORDER BURNDY® PRODUCTS CALL UNITED STATES: 1-800-346-4175 (LONDONDERRY, NH) CANADA: 1-800-361-6975 (QUEBEC) 1-800-387-6487 (ALL OTHER PROVINCES) FOR PRODUCT INFO: http://www.burndy.com	DIELESS ADAPTER	
	ITEM NO: --	
	CAT NO: WDA8300	
	SCALE: 1/1	
	DRAWN BY: A. MONTMINY 05/06/97	
	CHECKER: --	
	DSN APPVL: M. RZASA 05/08/97	
	MFG APPVL: --	
	QC APPVL: D. VARIO 05/12/97	
	MKT APPVL: -- 05/12/97	
PROD FAM: --	DRAWING NO	REV
PROJECT #:	SD211040	A
DOCUMENT TYPE: Sales	SIZE	
REL LEVEL: AutoCAD	C	SHEET 1 OF 1