

CATALOG NUMBER	FIGURE NUMBER	DIE GROOVE	DIE INFO	COLOR CODE	USE ON CONNECTORS	NO. OF CRIMPS	INSTALLATION TOOLING USING DIES
UC26	2	15M	DIE SET	BLACK	YC26L12	1	Y35, Y35BH, BAT35
UC25	2	14M	DIE SET	ORANGE	YC25L12	1	
UC1	2	13M	DIE SET	BLACK	YC1L12	1	Y750, Y750BH, BAT750
UC2	1	12M	DIE SET	PINK	YC2L12	1	
UC4	1	10M	DIE SET	BROWN	YC4L12	1	<div style="display: flex; justify-content: space-around; align-items: center;"> <span>2 ▷</span> <span>Y45, Y46, Y46C</span> <span>◁ 3</span> </div>

REV	DATE	DESCRIPTION	ECO	BY	C'K.
A	2022-11-09 00:00:00 EST	ADD UC26 DIE TO TABLE	221108025484	RM	RK

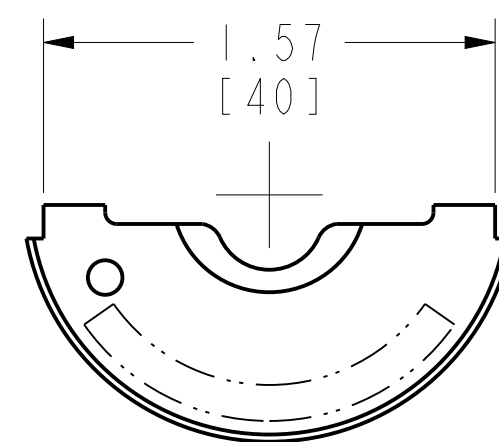
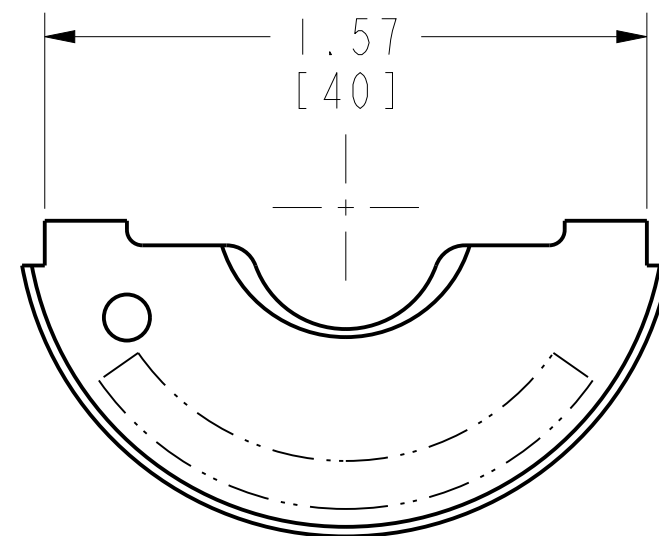
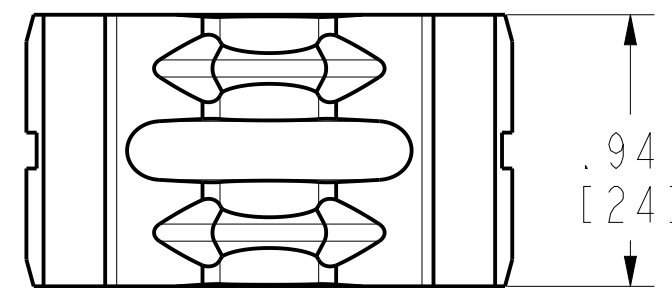
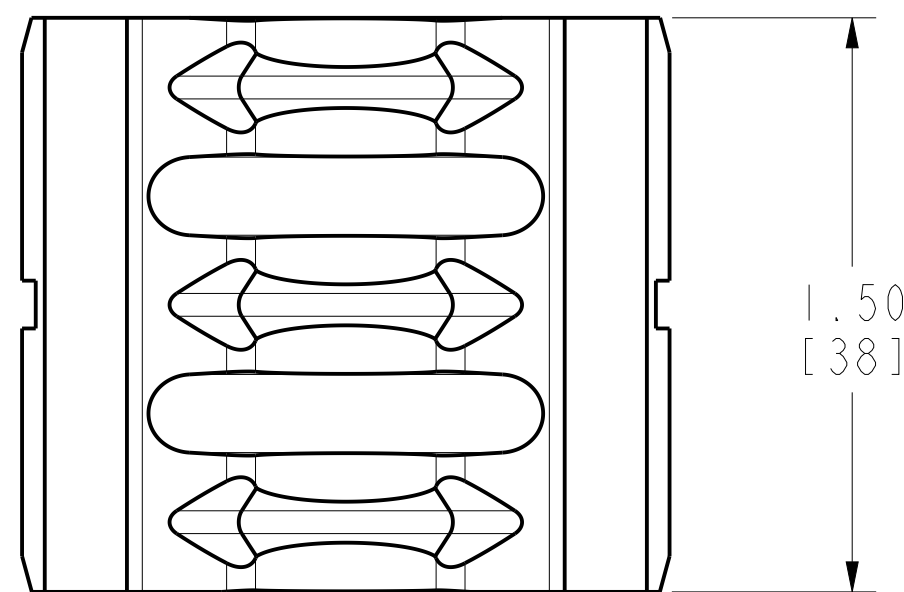


FIG 2

FIG 1

NOTES:

1. DIMENSIONS IN BRACKETS [ ] ARE IN MILLIMETERS ROUNDED OFF TO THE NEAREST MILLIMETER, UNLESS OTHERWISE NOTED, AND ARE FOR REFERENCE ONLY.

2 ▷ CATALOG #PT6515 ADAPTER IS REQUIRED TO USE "U" DIES IN Y45 SERIES TOOLS.

3 ▷ CATLAOG #PUADP-1 ADAPTOR IS REQUIRED TO USE "U" DIES IN Y46 SERIES TOOLS.

TO ORDER BURNDY® PRODUCTS CALL  
 UNITED STATES:  
 1-800-346-4175 (LONDONDERRY, NH)  
 CANADA:  
 1-800-361-6975 (QUEBEC)  
 1-800-387-6487 (ALL OTHER PROVINCES)  
 FOR PRODUCT INFO: <http://www.burndy.com>

U-DIES Y-CL MULTICRIMP

ITEM NO: SEE TABLE		
CAT. NO: SEE TABLE		
DRAWN BY: A. MONTMINY 27-09-1999	CHECKER: --	SCALE: 3:2
DSN APPVL: R CHADBOURNE 27-12-1999	MFG APPVL: --	
QA APPVL: J BRODEUR 27-12-1999	MKT APPVL: R ROBICHEAU 28-12-1999	DRAWING NO
PROD FAM: --	PROJECT #: --	SD212289
DOCUMENT TYPE: Sales	SIZE: C	REV: A
REL LEVEL: Released		SHEET 1 OF 1

REV: CREO 05/20/21