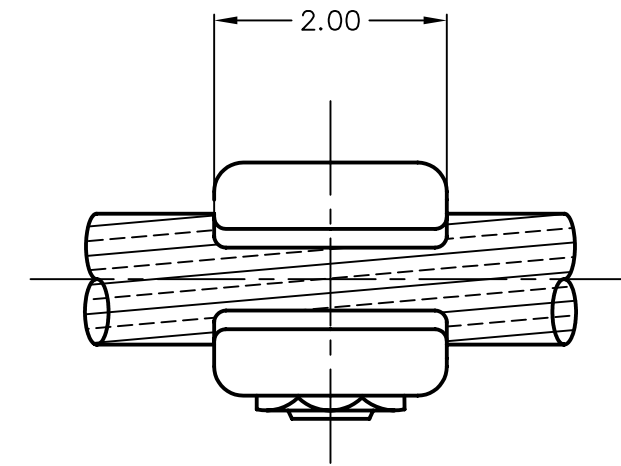
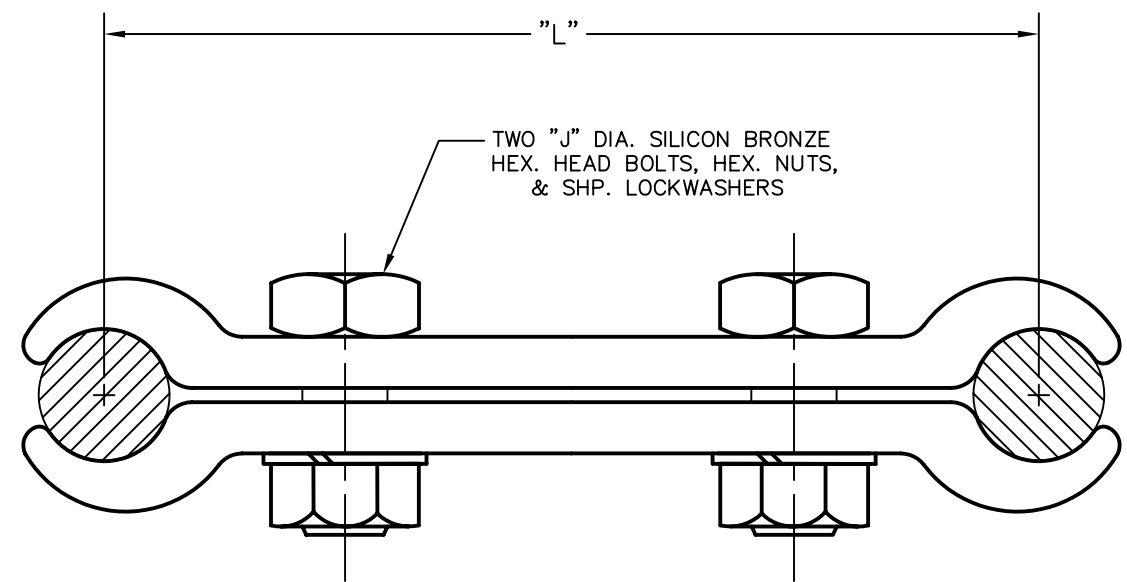


DRAWING NO.  
**SD212486-01**

CATALOG NO.	COPPER CONDUCTOR "A"		"L"	"J"
	SIZE	STR.		
CP4545L8	1250 kcmil (1.289 DIA.)	91	8.00	1/2-13
CP3939L8	750 kcmil (.998 DIA.)	---	8.00	1/2-13
CP3939L6	750 kcmil (.998 DIA.)	---	6.00	1/2-13
CP3939L4	750 kcmil (.998 DIA.)	---	4.00	1/2-13

REV.	DATE	DESCRIPTION	ECO	BY	C'K'D.
B	11/14/05	ADDED CAT. #'S CP3939L6 & CP3939L4 TO TABLE	11611	PL	RL



**NOTES:**

1. THIS DRAWING TO BE INTERPRETED PER ASME Y14.5M-1994.
2. BREAK ALL SHARP EDGES UNLESS OTHERWISE SPECIFIED.
3. MATERIAL: CAST COPPER ALLOY.
4. SINGLE BOLT DESIGN.

TO ORDER BURNDY PRODUCTS CALL 1-800-346-4175  
MANCHESTER, NH 03109, USA  
FOR PRODUCT INFO = <http://www.fciconnect.com>

**CABLE SPACER**

ITEM NO: SEE TABLE

CAT NO: SEE TABLE

SCALE:	1/1
DRAWN BY:	P LAPONIUS 11/14/05
CHECKER:	R LAVOIE 11/14/05
DSN APPVL:	R LAVOIE 10/25/05
MFG APPVL:	P DOERING 10/25/05
QC APPVL:	J BRODEUR 10/26/05
MKT APPVL:	---



PROD FAM:	---	DRAWING NO	REV
PROJECT #:	---	SD212486-01	B
DOCUMENT TYPE:	Sales	SHEET 1 OF 1	
REL LEVEL:	AUTOCAD		