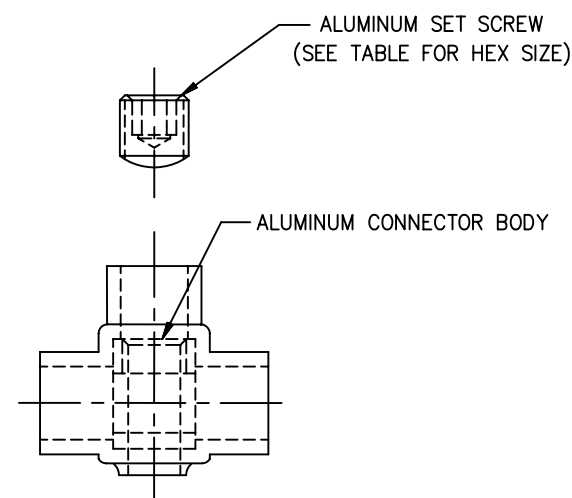
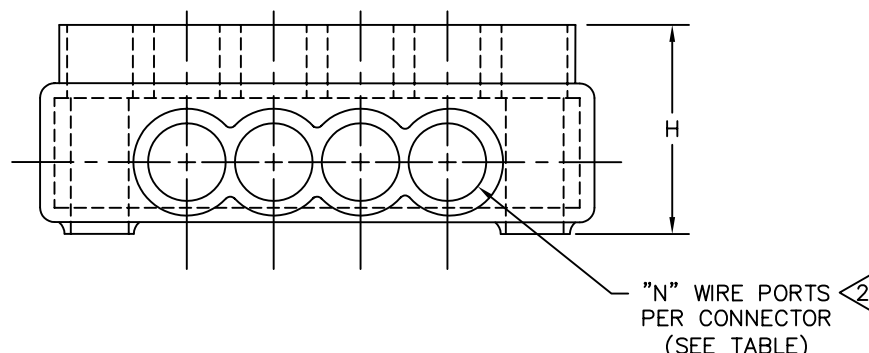
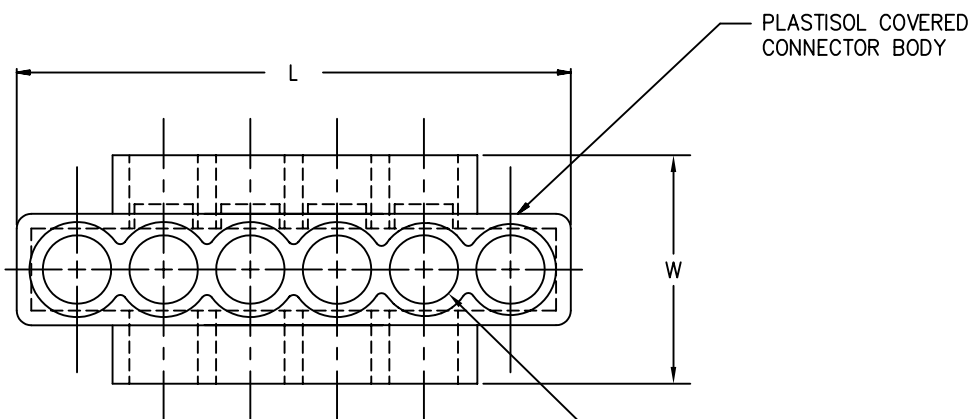


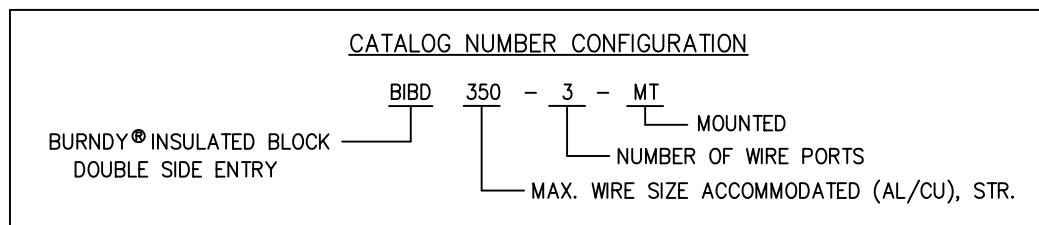
REV.	DATE	DESCRIPTION	ECO	BY	C'K'D.
B	05/07/09	ADD NOTE 5 WITH FLAG TO DRAWING PER M/U.	18016	RB	JP

CATALOG NUMBER	WIRE RANGE (AWG/kcmil)	L	W	H	HEX KEY	N	M	APPROX. AMPERE RATING
BIBD2/0-3MT	#14-2/0	3.53 [90]	1.56 [40]	1.50 [38]	3/16	3	5	300
BIBD2/0-4MT	#14-2/0	4.20 [107]	1.56 [40]	1.50 [38]	3/16	4	6	
BIBD2/0-6MT	#14-2/0	5.54 [141]	1.56 [40]	1.50 [38]	3/16	6	8	
BIBD2/0-8MT	#14-2/0	6.89 [175]	1.56 [40]	1.50 [38]	3/16	8	10	
BIBD2/0-10MT	#14-2/0	8.23 [809]	1.56 [40]	1.50 [38]	3/16	10	12	
BIBD2/0-12MT	#14-2/0	9.58 [243]	1.56 [40]	1.50 [38]	3/16	12	14	
BIBD250-4MT	#10-250	5.78 [147]	2.64 [67]	2.26 [57]	5/16	4	6	455
BIBD250-6MT	#10-250	7.65 [194]	2.64 [67]	2.26 [57]	5/16	6	8	
BIBD250-8MT	#10-250	9.53 [242]	2.64 [67]	2.26 [57]	5/16	8	10	
BIBD250-10MT	#10-250	11.41 [290]	2.64 [67]	2.26 [57]	5/16	10	12	
BIBD250-12MT	#10-250	13.28 [337]	2.64 [67]	2.26 [57]	5/16	12	14	
BIBD350-4MT	#10-350	5.86 [149]	3.00 [76]	2.63 [67]	5/16	4	6	570
BIBD350-6MT	#10-350	7.68 [195]	3.00 [76]	2.63 [67]	5/16	6	8	
BIBD350-8MT	#10-350	9.50 [241]	3.00 [76]	2.63 [67]	5/16	8	10	
BIBD350-10MT	#10-350	11.32 [288]	3.00 [76]	2.63 [67]	5/16	10	12	
BIBD350-12MT	#10-350	13.41 [334]	3.00 [76]	2.63 [67]	5/16	12	14	
BIBD600-4MT	#4-600	7.84 [199]	3.00 [76]	2.88 [73]	3/8	4	6	780
BIBD600-6MT	#4-600	10.41 [264]	3.00 [76]	2.88 [73]	3/8	6	8	
BIBD600-8MT	#4-600	12.97 [329]	3.00 [76]	2.88 [73]	3/8	8	10	
BIBD600-10MT	#4-600	15.53 [394]	3.00 [76]	2.88 [73]	3/8	10	12	
BIBD600-12MT	#4-600	18.09 [459]	3.00 [76]	2.88 [73]	3/8	12	14	



CERTIFIED
LISTED

FEATURES	BENEFITS
PLASTISOL COVERED AL6061-T6 BODY	SAVES TIME, LOWERS INSTALLATION COSTS, ELIMINATES TAPING.
CLEAR PLASTISOL	ALLOWS VISUAL CONFIRMATION THAT CONDUCTOR IS PROPERLY INSERTED.
OXIDE-INHIBITOR IS PRE-INSTALLED	INHIBITS MOISTURE AND CONTAMINANTS FROM ENTERING THE CONTACT AREA
RANGE-TAKING	REDUCES THE NUMBER OF CONNECTORS CARRIED IN INVENTORY



NOTES:

- CONNECTORS ARE SUPPLIED INDIVIDUALLY LABELED. LABEL INFORMATION INCLUDES CATALOG NUMBER, QUANTITY, AND BARCODE.
- END CAPS INSTALLED ON WIRE PORTS AND SET SCREW PORTS.
- ALL CONNECTORS "UL" LISTED, "CSA" CERTIFIED FOR AL9CU, 90° C APPLICATION.
- DIMENSIONS IN BRACKETS [] ARE IN MILLIMETERS ROUNDED OFF TO THE NEAREST MILLIMETER, UNLESS OTHERWISE NOTED, AND ARE FOR REFERENCE ONLY.
- RATING BASED ON 90° C CONDUCTOR TEMPERATURE OVER 30° C AMBIENT AIR TEMPERATURE.

TO ORDER BURNDY® PRODUCTS CALL

UNITED STATES:
1-800-346-4175 (LONDONDERRY, NH)

CANADA:
1-800-361-6975 (QUEBEC)
1-800-387-6487 (ALL OTHER PROVINCES)

FOR PRODUCT INFO: <http://www.burndy.com>

MOUNTED UNITAP™ PLASTISOL COVERED WIRE CONNECTORS	
ITEM NO:	N/A
CAT NO:	BIBD--MT (TABLE)
SCALE:	1/1
DRAWN BY:	R. BOISVERT 03/23/01
CHECKER:	B. MICHAUD 03/23/01
DSN APPVL:	J. MICHAUD 03/22/01
MFG APPVL:	-- --
QC APPVL:	S. BROWN 03/23/01
MKT APPVL:	D. WALTERS 03/21/01
PROD FAM:	--
PROJECT #:	--
DOCUMENT TYPE:	Sales
REL LEVEL:	AutoCAD
DRAWING NO	SD213079
REV	B
SHEET 2 OF 2	

