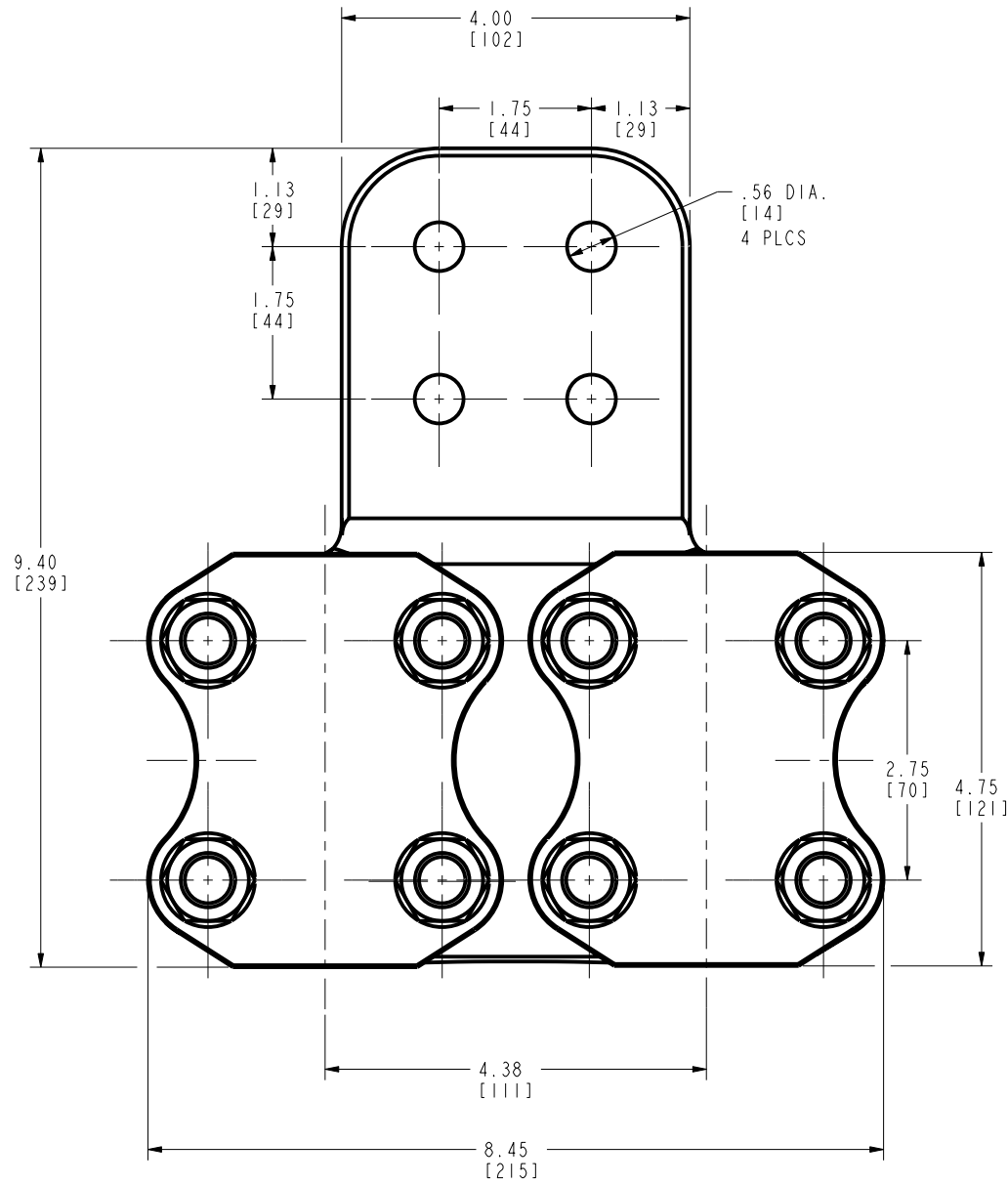
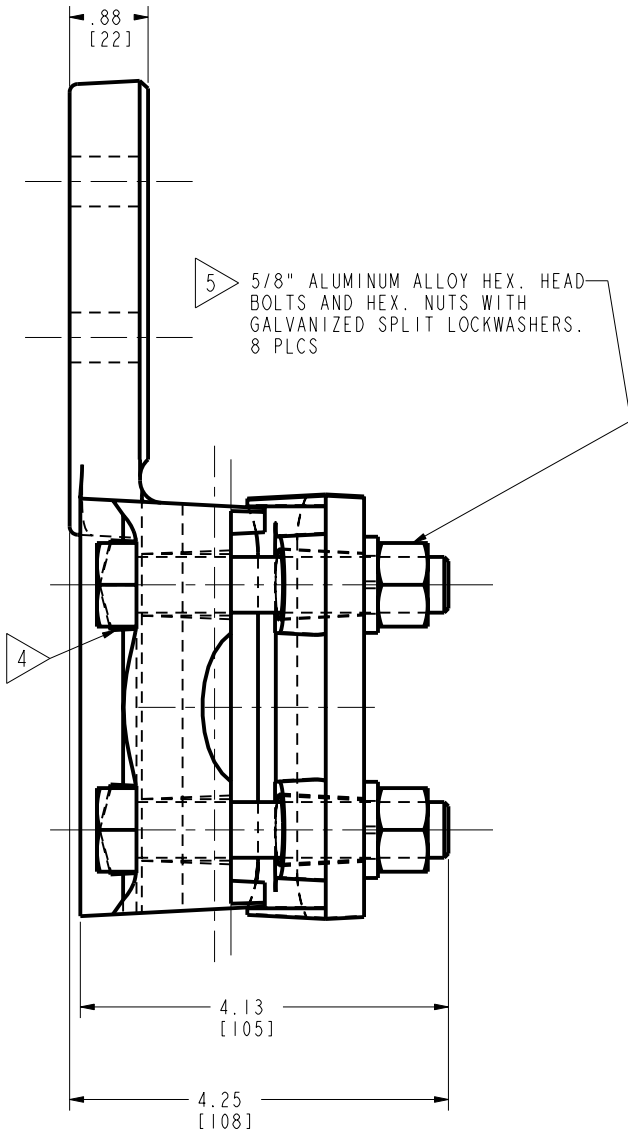


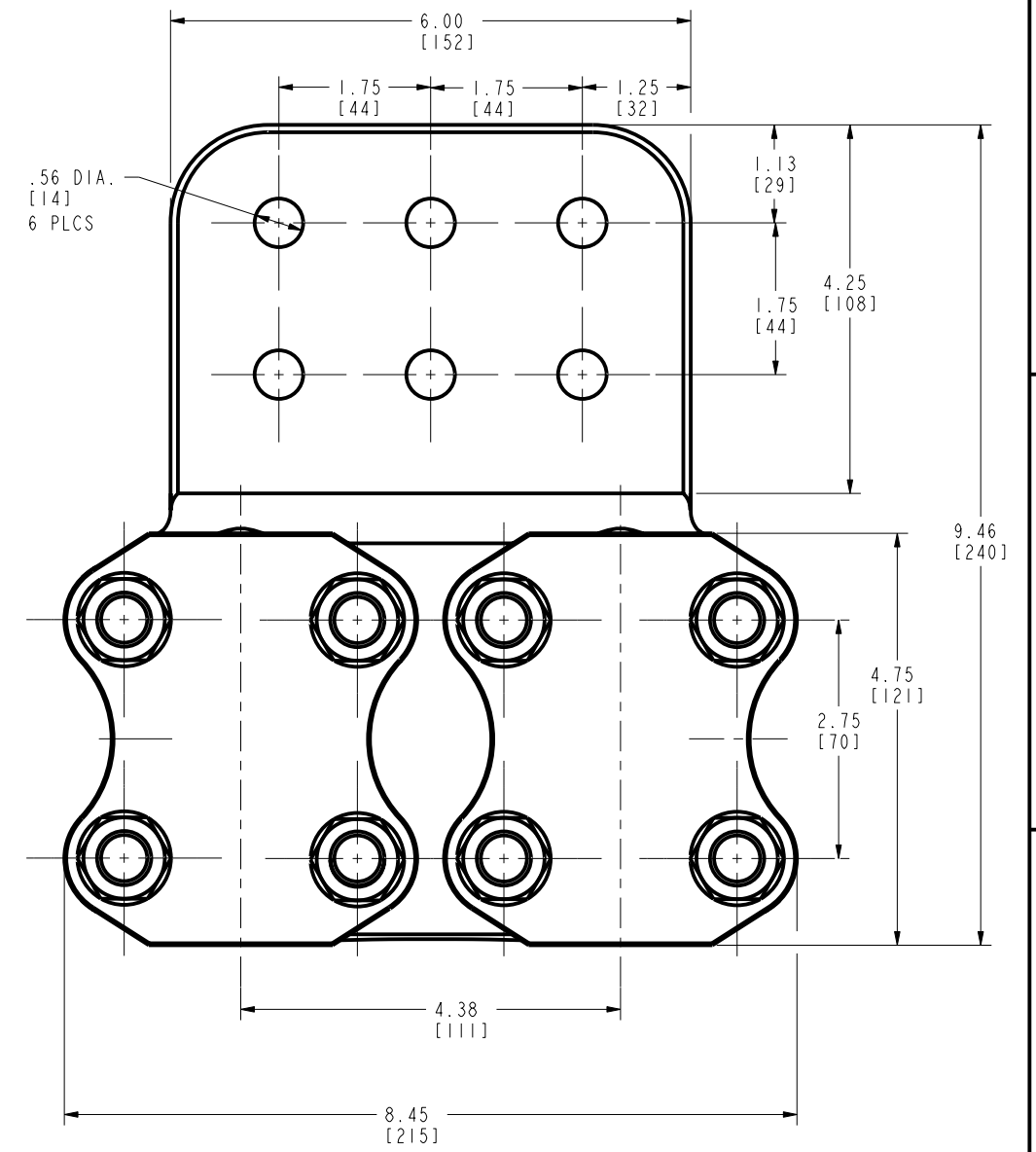
REV	DATE	DESCRIPTION	ECO	BY	C'H'K.
B	4/8/2010 6:34:00 PM	REMOVED FCI REFERENCE FCI REFERENCE SHOULD NOT BE THERE	20789	NJS	JH

D  
C  
B  
A

D  
C  
B  
A



**NN2AR486A44N**



**NN2AR486A66N**

- NOTES:
- MATERIAL:  
-CONNECTOR, CAST ALUMINUM ALLOY  
-HARDWARE, BOLTS AND NUTS ALUMINUM
  - DIMENSIONS IN BRACKETS [ ] DENOTES METRIC UNITS (SI UNITS) AND ARE ROUNDED TO THE NEAREST WHOLE NUMBER, UNLESS OTHERWISE SPECIFIED THESE UNITS SHALL BE USED FOR REFERENCE ONLY.
  - PENETROX<sup>(R)</sup> NOTE:  
SCRATCH BRUSH CONNECTOR CONTACT SURFACE DRY, THEN APPLY PENETROX<sup>(R)</sup>. A PENETROX<sup>(R)</sup> CAN BE PURCHASED FROM BURNDY LLC, USA IN CANS OR PLASTIC SQUEEZE BOTTLES.
  - HEX CAPTURES PREVENT THE BOLTS FROM TURNING DURING INSTALLATION.
  - NOMINAL INSTALLATION TORQUE:  
480 INCH LBS [54 Nm] FOR 5/8" ALUMINUM HARDWARE.

ACCOMMODATES:  
ALUMINUM OR COPPER : 2000-2500 Kcmil (1.632-1.824)  
ACSR: 1750 Kcmil (1.632 DIA. MIN.) 84-19 STR  
2156 Kcmil (1.824 DIA. MAX.) 84-19 STR

TO ORDER BURNDY® PRODUCTS CALL		TERMINAL, ALUMINUM	
UNITED STATES 1-800-346-4175 (LONDONDERRY, NH)		ITEM NO: --	SCALE: 1:1
CANADA: 1-800-361-6975 (QUEBEC) 1-800-387-6487 (ALL OTHER PROVINCES)		CAT. NO: NN2AR486A44N, NN2AR486A66N	REV
FOR PRODUCT INFO: <a href="http://www.burndy.com">http://www.burndy.com</a>		DRAWN BY: NJ SUDHAKAR 04/15/10	SD213748-01
		CHECKER: J HOSKER 04/24/10	B
		DSN APPVL: R LAVOIE 04/24/10	
		MFG APPVL: T WAWRZYNIAK 05/04/10	
		QA APPVL: J HILLMAN 05/13/10	
		MKT APPVL: D JEANEAU 04/26/10	
		PROJ #:	
		DOCUMENT TYPE: Sales	
		REL LEVEL: Released	

REV: PE0200