
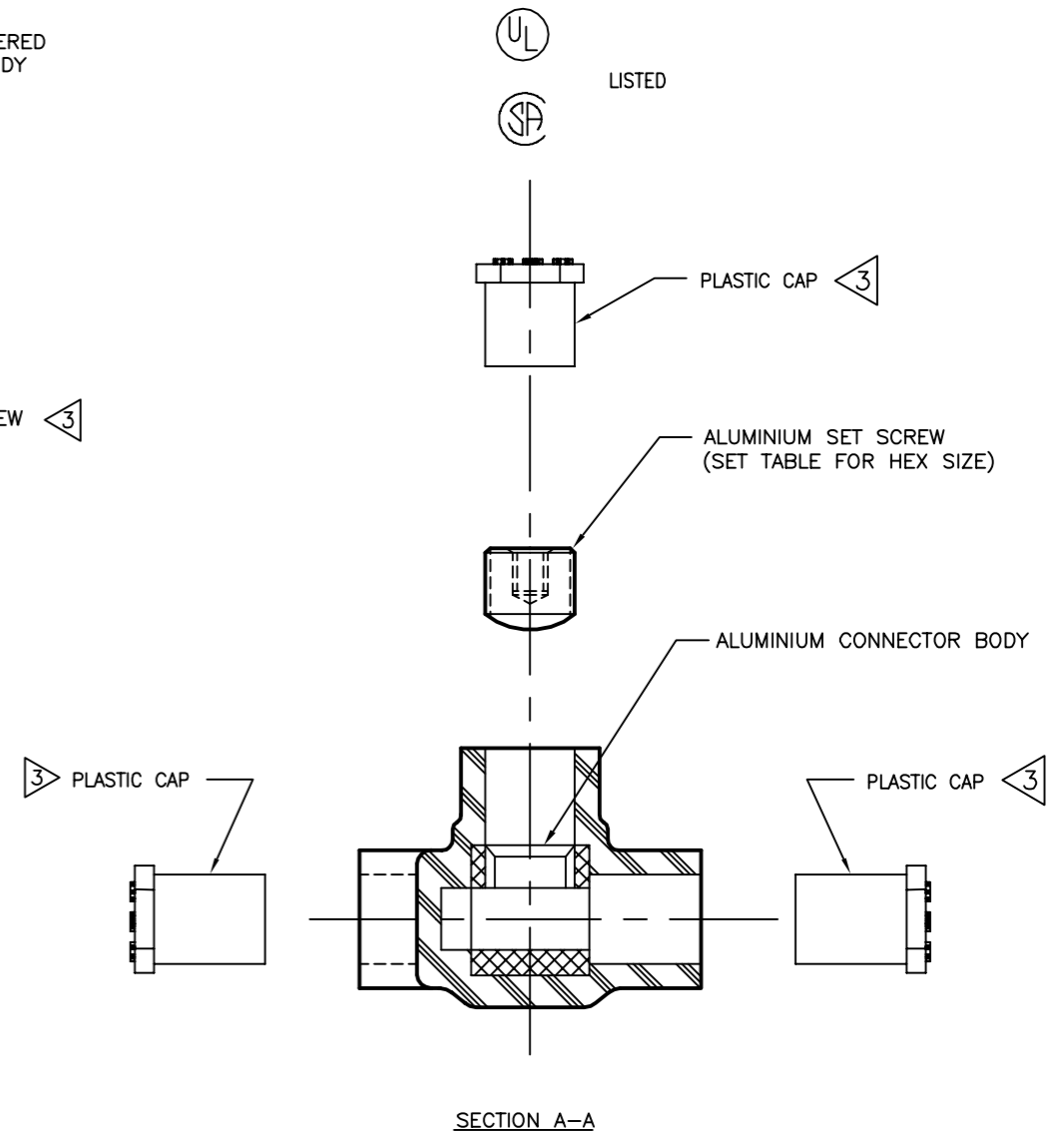
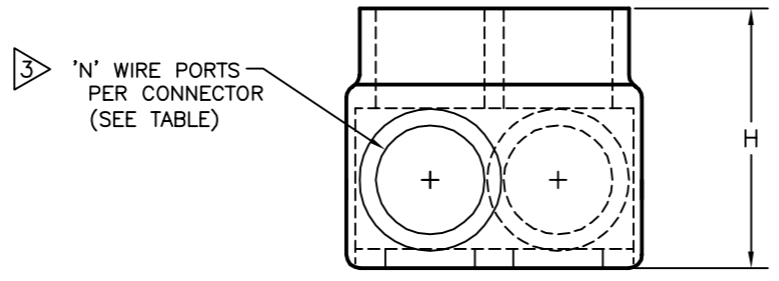
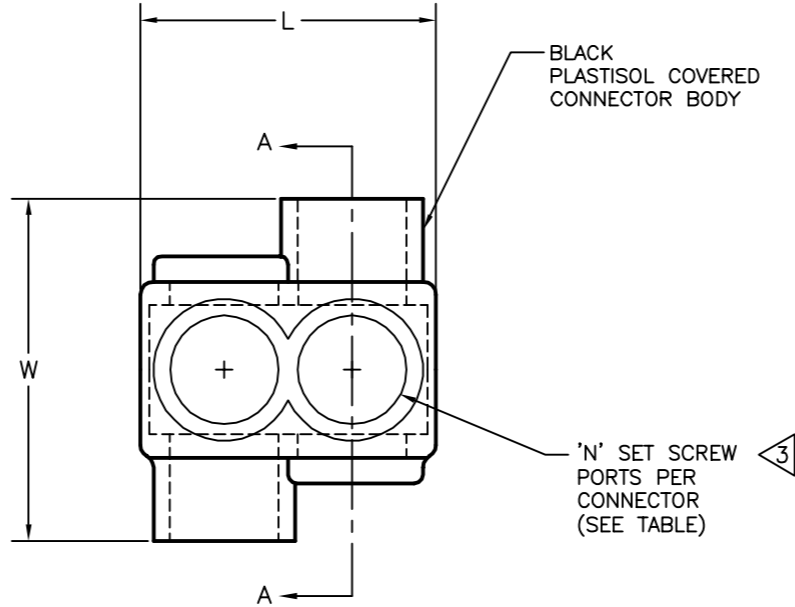




DRAWING NO.										
SD214514										
CATALOG NO.	WIRE RANGE (AWG/kcmil)	L	W	H	HEX KEY	N	TORQUE IN/LB			
1PL04-2	#14-#4	1.08 [27]	1.50 [38]	1.25 [32]	1/8	2	45			
1PL02/0-2	#14-2/0	1.52 [39]	1.56 [40]	1.38 [35]	3/16	2	120			
1PL0250-2	#10-250	2.03 [52]	2.64 [67]	2.13 [54]	5/16	2	275			
1PL0350-2	#10-350	2.22 [56]	3.00 [76]	2.50 [64]	5/16	2				
1PL0600-2	#4-600	2.72 [69]	3.00 [76]	2.75 [70]	3/8	2	375			
1PL0750-2 	#2-750	2.87 [73]	3.38 [86]	3.00 [76]	3/8	2				

REV.	DATE	DESCRIPTION	ECO	BY	C'K'D.
D	12/14/12	TORQUE VALUE INCLUDED.	29771	PB	MA

FEATURES	BENEFITS
PLASTISOL COVERED AL6061-T6 BODY	SAVES TIME, LOWERS INSTALLATION COSTS, ELIMINATES TAPING.
OXIDE-INHIBITOR IS PRE-INSTALLED	INHIBITS MOISTURE AND CONTAMINANTS FROM ENTERING THE CONTACT AREA
RANGE-TAKING	REDUCES THE NUMBER OF CONNECTORS CARRIED IN INVENTORY



**NOTES:**

- THIS DRAWING TO BE INTERPRETED PER ANSI Y14.5M.
- CONNECTORS ARE SUPPLIED INDIVIDUALLY LABELED. LABEL INFORMATION INCLUDES CATALOG NUMBER, AND BARCODE.
-  END CAPS INSTALLED ON WIRE PORTS AND SET SCREW PORTS.
- ALL CONNECTORS UL LISTED, CSA CERTIFIED FOR AL9CU, 90°C APPLICATIONS, UNLESS OTHERWISE NOTED.
- DIMENSIONS IN BRACKETS [ ] ARE IN MILLIMETERS ROUNDED OFF TO THE NEAREST MILLIMETER, UNLESS OTHERWISE NOTED, AND ARE FOR REFERENCE ONLY.
- UV RATED INSULATION MATERIAL.
-  NOT UL LISTED.

TO ORDER BURNDY® PRODUCTS CALL  
 UNITED STATES:  
 1-800-346-4175 (LONDONDERRY, NH)  
 CANADA:  
 1-800-361-6975 (QUEBEC)  
 1-800-387-6487 (ALL OTHER PROVINCES)  
 FOR PRODUCT INFO: <http://www.burndy.com>

UV BLACK DISTRIBUTION CONNECTORS	
ITEM NO:	N/A
CAT NO:	1PLO--SERIES (TABLE)
SCALE:	N/A
DRAWN BY:	D RAJKUMAR 4/24/02
CHECKER:	K HENRY 5/23/02
DSN APPVL:	G DITROIA 3/6/02
MFG APPVL:	T BONINA 2/27/02
QC APPVL:	J BRODEUR 3/5/02
MKT APPVL:	A ZWIT 2/27/02
PROD FAM:	--
PROJECT #:	--
DOCUMENT TYPE:	Sales
REL LEVEL:	AutoCAD
DRAWING NO	SD214514
REV	D
SHEET 2 OF 13	

